

# Haier

# LANGUAGES

- GB English
- CZ Čeština
- DE Deutsch
- ES Español
- FR Français
- IT Italiano
- PL Polish
- PT Portugues
- SL Slovak
- NL Nederlands

# **INSTRUCTION MANUAL FOR WINE COOLER**

MODEL NO.  
**JG45B**

**Thanks for buying our wine cooler, Hope our advanced product will give your wine a different joyful taste. Before use, please read and follow all safety rules and operating instructions.**

## WARNING!

- To prevent damaging the door gasket, make sure to have the door all the way opened when pulling shelves out of the rail compartment.
- The appliance must be positioned so that the plug is accessible. Release the electric cord. Move your cabinet to its final location. Do not move your Cabinet while loaded with wine. You might distort the body. The wine cellar should be installed in a suitable place in order to avoid Touching the compressor with the hand.  
Children should be supervised to ensure that they do not play with the appliance.
- If the supply cord is damaged, it must be replaced by manufacturer of its Service agent or a similarly qualified person in order to avoid a hazard.

This appliance can be used by children aged from 8 years and above and persons with reduced physical, sensory or mental capabilities or lack of experience and knowledge if they have been given supervision or not play with the appliance.

Cleaning and user maintenance shall not be made by children without supervision.

Children aged from 3 to 8 years are not allowed to load and unload wine cooler.

To avoid contamination of wine, please respect the following instructions:

- Opening the door for long periods can cause a significant increase of the temperature in the compartments of the appliance.
- Clean regularly surfaces that can come in contact with bottles and accessible drainage systems.
- Clean water tanks if they have not been used for 48 h; flush the water system connected to a water supply if water has not been drawn for 5 days.
- If the refrigerating appliance is left empty for long periods, switch off, defrost, clean, dry, and leave the door open to prevent mould developing within the appliance.
- **WARNING:** Keep ventilation openings, in the appliance enclosure or in the built-in structure, clear of obstruction.
- **WARNING:** Do not use mechanical devices or other means to accelerate the defrosting process, other than those recommended by the manufacturer.
- **WARNING:** Do not damage the refrigerant circuit.
- **WARNING:** Do not use electrical appliances inside the food storage compartments of the appliance, unless they are of the type recommended by the manufacturer.


Do not store explosive substances such as aerosol cans with a flammable propellant in this appliance.

This appliance is intended to be used in household and similar applications such as

- staff kitchen areas in shops, offices and other working environments;
- farm houses and by clients in hotels, motels and other residential type environments;
- bed and breakfast type environments;
- catering and similar non-retail applications.
- **WARNING:** To avoid a hazard due to instability of the appliance, it must be fixed in accordance with the instructions.

**PLEASE DON'T TRY TO PLUG INTO OR EXTENSION THE CABLE IN ANY CASE.**

## IMPORTANT SAFETY INSTRUCTIONS

<b>⚡WARNING⚡</b>	To reduce the risk of fire, electrical shock, or injury when using your appliance, follow these basic precautions:
<ul style="list-style-type: none"><li>• Read all instructions before using the Wine cooler.</li><li>• <b>DANGER or WARNING:</b> Risk of child entrapment. Child entrapment and suffocation are not problems of the past. Junked or abandoned appliances are still dangerous . . . even if they will “just sit in the garage a few days”.</li><li>• <b>Before you throw away your old Wine cooler:</b> Take off the door. Leave the shelves in place so that children may not easily climb inside.</li><li>• Never allow children to operate, play with, or crawl inside the appliance.</li><li>• Never clean appliance parts with flammable fluids. The fumes can create a fire hazard or explosion.</li><li>• Do not store or use gasoline or any other flammable vapors and liquids in the vicinity of this or any other appliance. The fumes can create a fire hazard or explosion.</li><li>• <b>If the refrigerant of these appliances are R600a , Flammable and explosive articles should not be put in or near the cabinet, to avoid the fire or explode caused.</b></li></ul> <div data-bbox="539 1016 992 1415" data-label="Image"></div> <p data-bbox="213 1541 549 1572"><b>-Save these instructions-</b></p>	

## INSTALLATION INSTRUCTIONS

### ➤ **Before Using Your Wine cooler**

- Remove the exterior and interior packing.
- Before connecting the Wine cooler to the power source, let it stand upright for approximately 2 hours. This will reduce the possibility of a malfunction in the cooling system from handling during transportation.
- Clean the interior surface with lukewarm water using a soft cloth.
- When disposing your appliance, please choose an authorized disposal site.

### ➤ **Installation of Your Wine Cooler**

- This appliance is designed to be for free standing installation or built-in (fully recessed) (Refer to sticker location the back of this appliance).
- **This appliance is intended to be used exclusively for the storage of wine or beverages.**
- Place your Wine cooler on a floor that is strong enough to support it when it is fully loaded. To level your Wine cooler, adjust the front leveling leg at the bottom of the Wine cooler.
- This appliance is using flammability refrigerant. So never damage the cooling pipework during the transportation. Locate the Wine cooler away from direct sunlight and sources of heat (stove, heater, radiator, etc.). Direct sunlight may affect the acrylic coating and heat sources may increase electrical consumption. Extreme cold ambient temperatures may also cause the unit not to perform properly.
- Avoid locating the unit in moist areas.
- Plug the Wine cooler into an exclusive, properly installed-grounded wall outlet. Do not under any circumstances cut or remove the third (ground) prong from the power cord. Any questions concerning power and/or grounding should be directed toward a certified electrician or an authorized Products service center.

### ➤ **Attention**

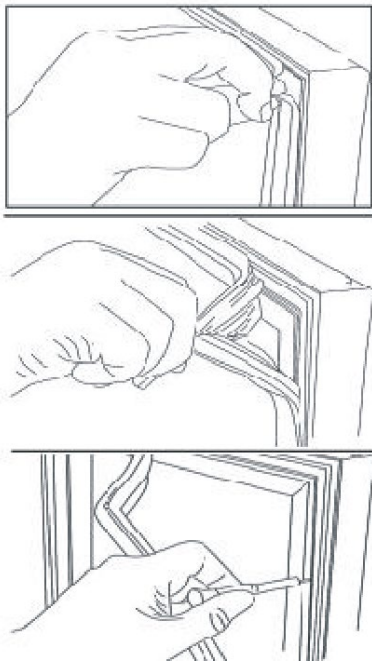
- Store wine in sealed bottles;
- Do not overload the cabinet;
- Do not open the door unless necessary;
- Do not cover shelves with aluminum foil or any other shelf material which may prevent air circulation;
- Should the Wine cooler be stored without use for long periods it is suggested, after a careful cleaning, to leave the door ajar to allow air to circulate inside the cabinet in order to avoid possible formations of condensation, mold or odors.

### ➤ **Ambient Room Temperature Limits**

This appliance is designed to operate in ambient temperatures specified by its temperature class marked on the rating plate.

Class	Symbol	Ambient Temperatures range
Extended Temperate	SN	+ 50°F to + 90°F(+ 10°C to + 32°C)
Temperate	N	+ 60°F to + 90°F(+ 16°C to + 32°C)
Subtropical	ST	+ 60°F to + 100°F (+ 16°C to + 38°C)
Tropical	T	+ 60°F to + 110°F (+ 16°C to + 43°C)

➤ **Installing the handle**



1. Open the door and carefully pull out the door gasket only at the area where the handle is to be installed.
2. You will be able to see two screws inside the door.
3. Insert the screw cover in the arrow direction (only for full glass door and slim stainless-steel door). see Fig 1
4. Drive the upper screw for 3 or 4 circles, and then drive the lower screw for 3 or 4 circles for align the handle
5. Alternatively tighten the upper and lower screw until the handle is flush against the door frame.
6. Carefully press the door gasket into its original position.

- ① Screw
- ② Screw covers (attached to manual bag)
- ③ Handle
- ④ Door

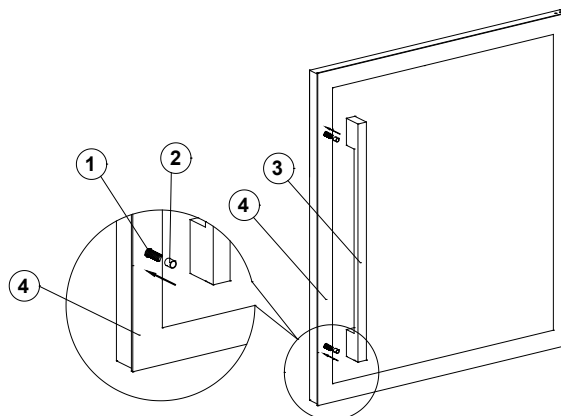


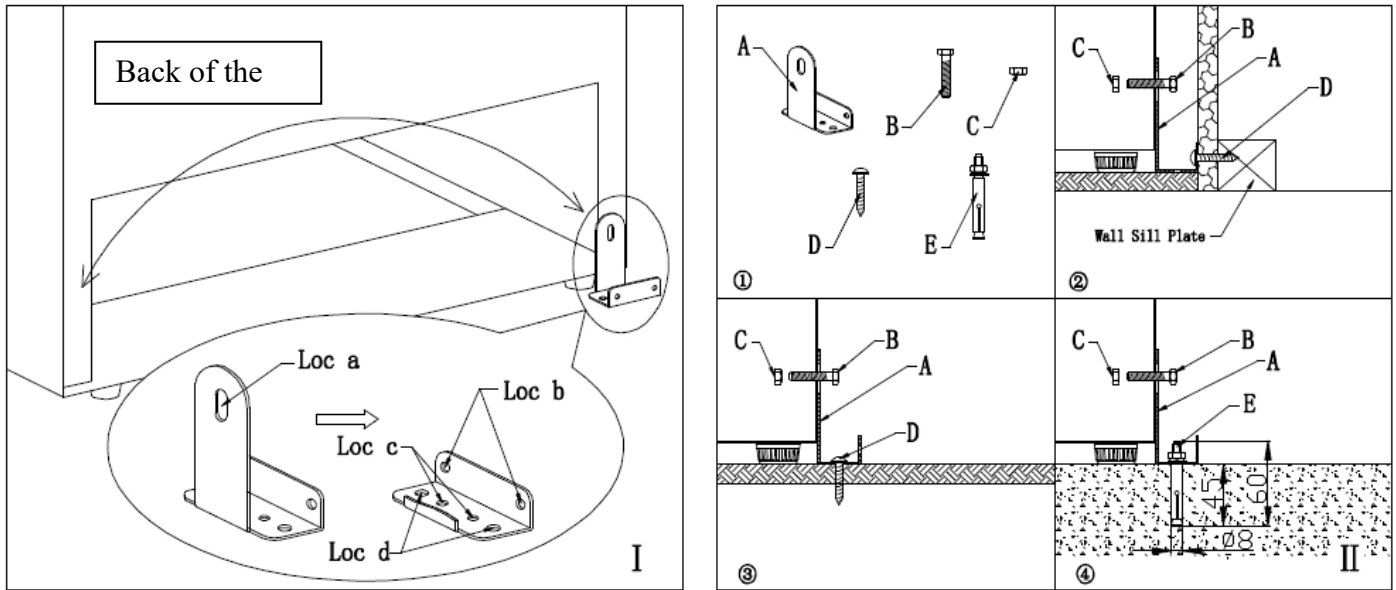
Fig 1

**CAUTION:**

Do not over-tighten the screws as this may cause damage to the handle or to the door.

➤ **ANTI-TIP BRACKET INSTALLATION INSTRUCTIONS**

**WARNING:** Please use the anti-tip bracket and following below instruction when FREE-STANDING to avoid the unit TIPPING cause dangerous!



**1. Anti-tip bracket parts list: (Fig II ①)**

- A: Anti-tip bracket (1pc)
  - B: Hexagon bolt (1pc)
  - C: Hexagon nut (1pc)
  - D: Self-tapping screw (2pcs)
  - E: Expansion screw (1 pc)
- Secure the bracket with the screws provided.

**2. Anti-tip bracket mounting hold instruction: (Fig I )**

- Loc A: Fixed mounting hole for unit
- Loc B: Fixed mounting holds for Real wall
- Loc C: Fixed mounting holds for Wood floor
- Loc D: Fixed mounting holds for Concrete floor

**3. Anti-tip bracket installation steps:**

The bracket can installed at the left bottom OR right bottom of the back of the unit. You can choose which side is convenience for you.

**IMPORTANT:** Determine the final location of the range before attempting to install the bracket. You need to choose below installation method one of three ways.

**1 REAL WALL installation: (Fig II ②)**

After confirmed the install location, place the bracket on the floor with Loc B against the real wall, use D: Self-tapping screw (2pcs) align Loc B and secure the bracket into real wall.

Move the unit to align to the bracket Loc A, use B: Hexagon bolt (1pc) and C: Hexagon nut (1pc) to fix.

**NOTE:**

The screws MUST enter into a wood sill plate. If the wall contains any metal studs or similar materials, then the floor installation must be used

**2. WOOD FLOOR installation: (Fig II ③)**

After confirmed the install location, place the bracket on the wood floor, used D: Self-tapping screw



(2pcs) align Loc C and secure the bracket into wood floor.

Move the unit to the align to the bracket Loc A, used B: Hexagon bolt (1pc) and C: Hexagon nut (1pc) to fix.

### 3. CONCRETE FLOOR installation: (Fig II ④)

After confirm the installed location, choose any hold of Loc D to secure the bracket into the concrete floor

Using a concrete bit, drill  $\Phi 8\text{mm}$  pilot hold 45~55mm deep. Use E: Expansion screw (1 pc) enter into the concrete, take out the nut, spring washer and washer. Align Loc D to E: Expansion screw (1 pc) and put back the nut, spring washer and washer to fix on the concrete floor.

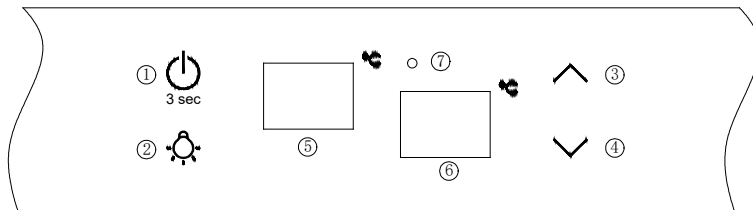
Move the unit to the align to the bracket Loc A, used B: Hexagon bolt (1pc) and C: Hexagon nut (1pc) to fix.





#### ATTENTION:

Check the bracket: After installing the bracket, please try to using appropriate intensity to tipping the unit. If the unit not tipping that means the bracket mounted securely, or MUST be reinstalled following these instruction.



## OPERATING YOUR WINE COOLER/BEVERAGE COOLER AND SETTING THE TEMPERATURE CONTROL

### ➤ Control System Instruction



- ① “  ” **Button**  
To control this appliance turn on/off ( press and hold this buttons for approximately 3 seconds).
- ② “  ” **Button**  
To control the inner light turn on/off.
- ③ “  ” **Button**  
To set the temperature of the upper chamber.
- ④ “  ” **Button**  
To set the temperature of the lower chamber.
- ⑤ **LED display window**  
To set the temperature of the upper chamber.
- ⑥ **LED display window**  
To set the temperature of the lower chamber.
- ⑦ **indicator light**  
Compressor in operation display.

### ➤ Setting The Temperature Controls

- When pressing “” or “” button, the system will be entering the set up mode in the upper or lower compartment automatically. The LED will flashing and display the setting temperature. Press once the button, the temperature will decrease or increase 1 °C. When exceeding the minimum value that can be established, it will jump to the highest adjustable temperature value automatically. After stopping pressing the button for 5 seconds, LED figure will stop flash, then revert back to display the temperature of the upper or lower compartment.

- After the unit is unplugged, the system will return to acquiescence temperature, which setting by factory. The acquiescence temperature as below:  
Upper compartment: 6 °C  
Lower compartment: 12 °C
- If want reveal every indoor setting temperature, please corresponding to press " Set Upper " or " Set Lower " button, the LED will flash and display the setting temperature. After stopping pressing the button for 5 seconds, LED figure will stop flash, then revert back to display the actual temperature.  
**Upper compartment:** The temperature setting can be adjusted from 5°C to 10°C.  
**Lower compartment:** The temperature setting can be adjusted from 10°C to 18°C.

### ➤ Temperature Alarm

If the temperature inside is higher than 23 °C, it will display "HI" on the display panel, and after one hour after the alarm / buzzer will sound. This indicates that the temperature inside is too high. If the temperature inside is lower than 0 °C, it will display "LO" on the display panel and at the same time the alarm also malfunction indicator is active.

### ➤ Temperature Recollection Function

In the event of a power interruption, wine chiller can remember the previous temperature settings, and when the power is recovery, the cooler temperature will go back the same setting temperature as power off.

### ➤ Overtime Open the Door Alarm

When you forget close the door or the door is not closed completely, the buzzer alarm after 5 minutes. Please close the door completely and avoid the cold energy was lost.

### ➤ Internal light

In order to reduce energy consumption, the LED light within this wine cabinet will automatically switch off when closed the door. If you would prefer the LED light to remain on continuously, this is possible. Please press and hold the “LIGHT” bottom for 5 seconds, the display will show “LP”. After 4 seconds the display will revert back to normal and the light will remain on until manually switched off.

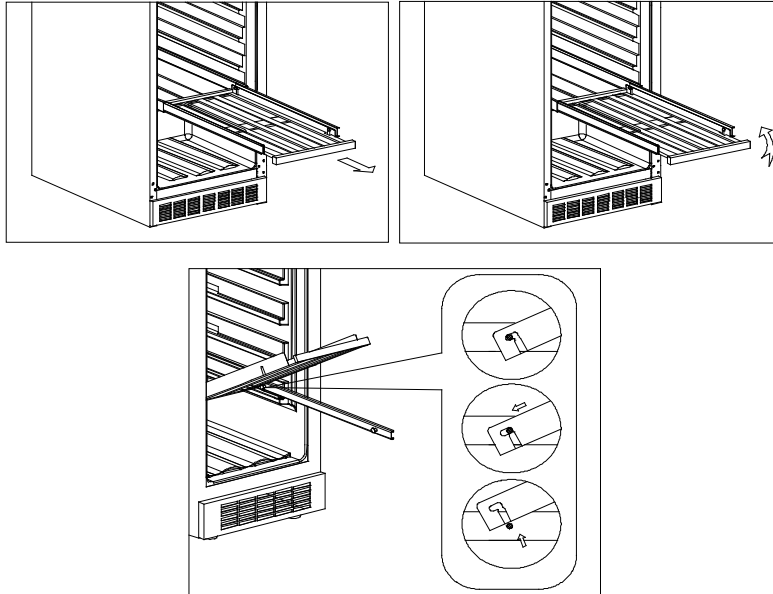
If you would like to revert back and conserve energy (recommended), press and hold the “LIGHT” button for 5 seconds, the display will show “LF”. After 4 seconds the display will revert back to normal the light will be on when door open and the light turn off when door closed.

➤ **Shelves Instruction**

Do not cover shelves with aluminum foil or any other material as this will impede air flow inside the cabinet and can adversely affect the interior cabinet temperature.

To remove the shelves:

1. Fully extend the shelf.
2. Lift up the front of the shelf.
3. Holding the shelf track, push the shelf in and then up to release it from the rear dampers.



➤ **NOTE:**

- If the unit is unplugged, power lost, or turned off, you must wait 3 to 5 minutes before restarting the unit. If you attempt to restart before this time delay, the Wine cooler/beverage cooler will not start.
- When you use the Wine cooler/beverage cooler for the first time or restart the Wine cooler/beverage cooler after having been shut off for a long time, there could be a few degrees variance between the temperature you select and the one indicated on the LED readout. This is normal and it is due to the length of the activation time. Once the Wine cooler/beverage cooler is running for a few hours everything will be back to normal.

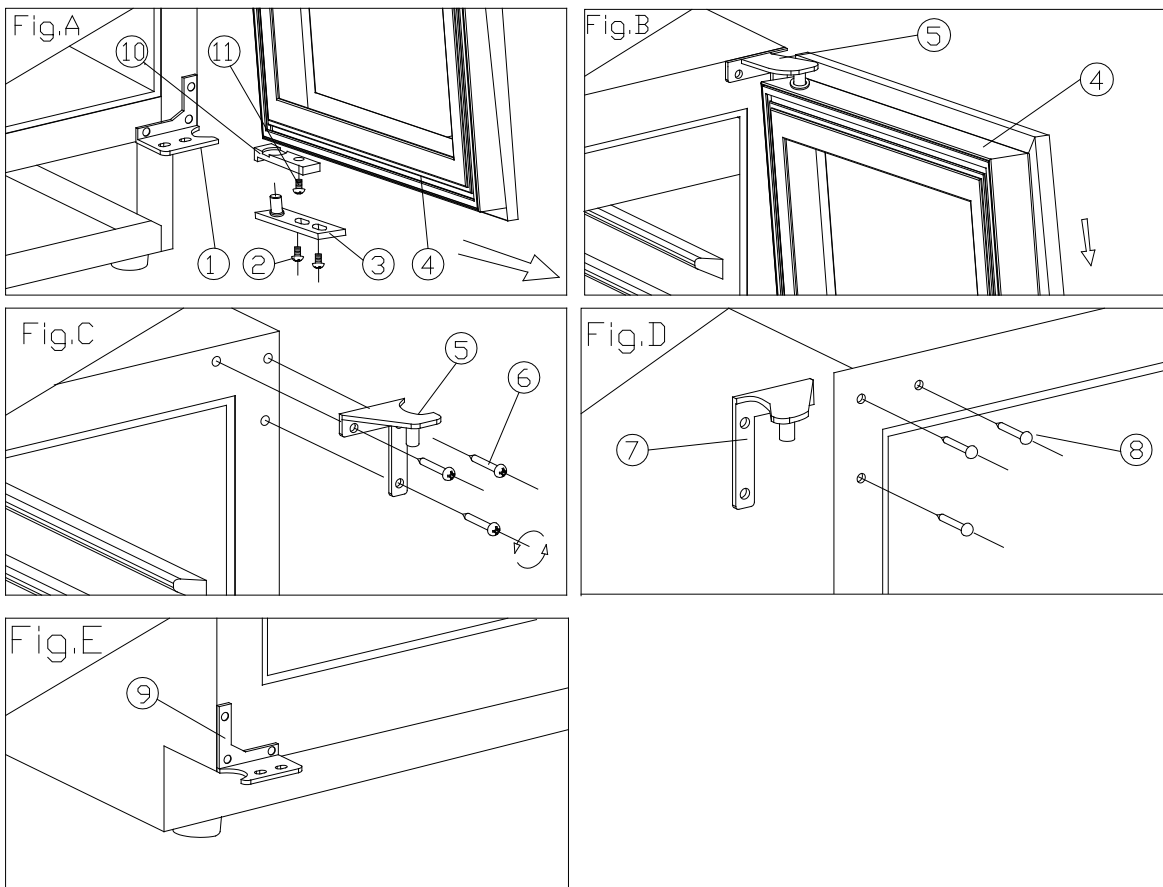
➤ **How to change the door opening**

This appliance has reversible doors but is delivered with a right hinged door. The left hand hinge kit comes with the unit (in the box), should you wish to reverse the hinge on your unit.

- 1. Lower hinge (Right)
- 4. Door
- 7. Top hinge (Left)
- 10. Door limit device

- 2. Screws
- 5. Top hinge (Right)
- 8. Hole cover
- 11. Screw

- 3. Door axis
- 6. Hinge Screws
- 9. Lower hinge (Left)

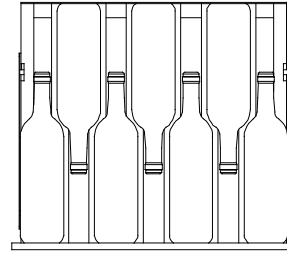
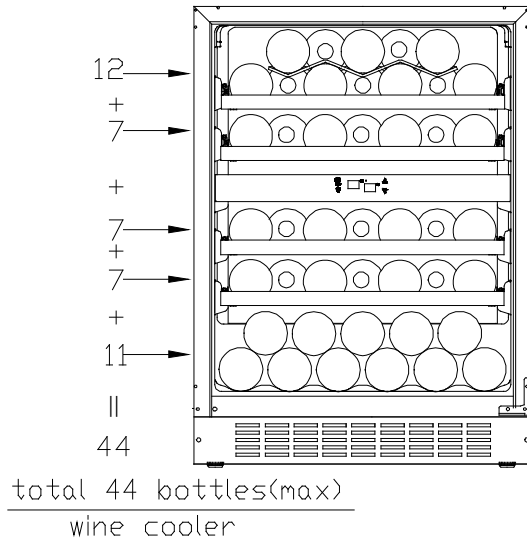


1. Open the door to a 90 degrees angle, take out the 2 screws (2) from lower door axis (3), remove the door (4), Remove the axis plate (3) from the door, (Fig. A).
2. Unscrew the screw (11) located underneath the door frame and the limit device (10), and relocate it at left end side of the door frame. (Fig. A/B)
3. Take out the 3 hinge screws (6) from the top hinge (right) (5) and remove it. (Fig. C)
4. Remove decorative nail (8) from left top of cabinet and install spare top hinge (Left) (7) at left top of cabinet with 3 screws. (Fig. D)
5. Following the above procedure, install the spare lower hinge to the left (9). (Fig. E)
6. Install and aligned the door.
7. Insert the plastic caps to cover the holes(8).

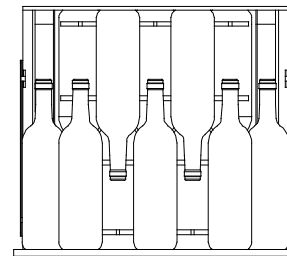
➤ **Storage diagram**

According to the actual configuration of your product, please check the relative Storage diagram.

Total: 44 bottles (Max)

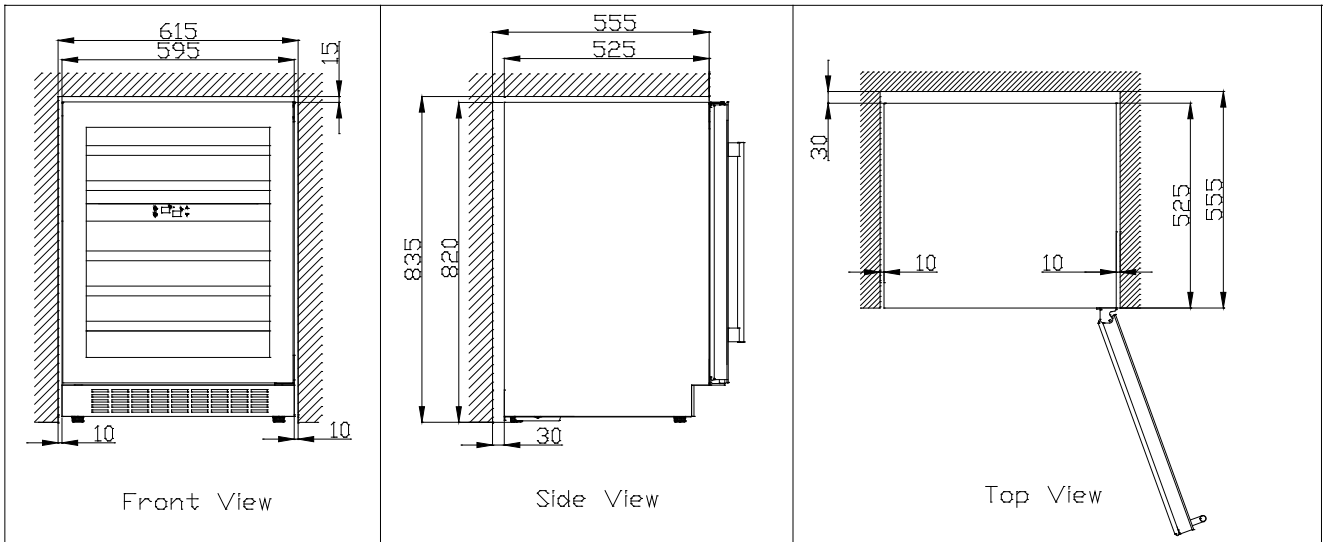


7 bottles(max)



12 bottles(max)

➤ **Installation specifications for built-in purposes**



## CARE AND MAINTENANCE

### ➤ Cleaning Your Wine Cooler

- Turn off the power, unplug the appliance, and remove all items including shelves and rack.
- Wash the inside surfaces with a warm water and baking soda solution. The solution should be about 2 tablespoons of baking soda to a quart of water.
- Wash the shelves with a mild detergent solution.
- Wring excess water out of the sponge or cloth when cleaning area of the controls, or any electrical parts.
- Wash the outside cabinet with warm water and mild liquid detergent. Rinse well and wipe dry with a clean soft cloth.

### ➤ Power Failure

- Most power failures are corrected within a few hours and should not affect the temperature of your appliance if you minimize the number of times the door is opened. If the power is going to be off for a longer period of time, you need to take the proper steps to protect your contents.

### ➤ Vacation Time

- **Short vacations:** Leave the Wine Cooler operating during vacations of less than three weeks.
- **Long vacations:** If the appliance will not be used for several months, remove all items and turn off the appliance. Clean and dry the interior thoroughly. To prevent odor and mold growth, leave the door open slightly: blocking it open if necessary.

### ➤ Moving Your Wine Cooler

- Remove all items.
- Securely tape down all loose items (shelves) inside your appliance.
- Turn the adjustable leg up to the base to avoid damage.
- Tape the door shut.
- Be sure the appliance stays secure in the upright position during transportation. Also protect outside of appliance with a blanket, or similar item.

### ➤ Energy Saving Tips

- The Wine Cooler should be located in the coolest area of the room, away from heat producing appliances, and out of the direct sunlight.

## PROBLEMS WITH YOUR WINE COOLER/BEVERAGE COOLER?


You can solve many common Wine cooler/beverage cooler problems easily, saving you the cost of a possible service call. Try the suggestions below to see if you can solve the problem before calling the servicer.

### TROUBLESHOOTING GUIDE

PROBLEM	POSSIBLE CAUSE
Wine cooler/beverage cooler does not operate.	Not plugged in. The appliance is turned off. The circuit breaker tripped or a blown fuse.
Wine cooler/beverage cooler is not cold enough.	Check the temperature control setting. External environment may require a higher setting. The door is opened too often. The door is not closed completely. The door gasket does not seal properly.
Turns on and off frequently.	The room temperature is hotter than normal. A large amount of contents has been added to the Wine cooler/beverage cooler. The door is opened too often. The door is not closed completely. The temperature control is not set correctly. The door gasket does not seal properly.
The light does not work.	Not plugged in. The circuit breaker tripped or a blown fuse. The bulb has burned out. The light button is "OFF".
Vibrations.	Check to assure that the Wine cooler/beverage cooler is level.
The Wine cooler/beverage cooler seems to make too much noise.	The rattling noise may come from the flow of the refrigerant, which is normal. As each cycle ends, you may hear gurgling sounds caused by the flow of refrigerant in your Wine cooler/beverage cooler. Contraction and expansion of the inside walls may cause popping and crackling noises. The Wine cooler/beverage cooler is not level.
The door will not close properly.	The Wine cooler/beverage cooler is not level. The door was reversed and not properly installed. The gasket is dirty. The shelves are out of position.

#### Before disposal of the appliance.

1. Disconnect the main plug from the main socket.
2. Cut off the main cable and discard it.

Correct disposal of this product	
	<p>This symbol on the product, or in its packaging, indicates that this product may not be treated as household waste. Instead, it should be taken to the appropriate waste collection point for the recycling of electrical and electronic equipment. By ensuring this product is disposed of correctly, you will help prevent potential negative consequences for the environment and human health, which could otherwise be caused by the inappropriate waste handling of this product. For more detailed information about the recycling of this product, please contact your local council, your household waste disposal service, or the shop where you purchased the product.</p>

# **NÁVOD K OBSLUZE VINOTÉKY**

**Č. MODELU:  
JG45B**

**Děkujeme za nákup naší vinotéky, doufáme, že náš pokročilý produkt dodá vašemu vínu novou příjemnou chuť. Před použitím si přečtěte a dodržujte všechna bezpečnostní pravidla a návod k obsluze.**



## VAROVÁNÍ!

- Aby nedošlo k poškození těsnění dvířek, dbejte na to, abyste při vytahování polic z kolejničového prostoru měli dvířka zcela otevřená.
- Spotřebič musí být umístěn tak, aby byla zástrčka přístupná. Odpojte elektrický kabel. Přemístěte spotřebič na konečné místo. Nepohybujte se spotřebičem naplněným vínem. Mohlo by dojít k poškození těla spotřebiče. Vinotéka by měla být instalována na vhodném místě, aby se zabránilo dotyku kompresoru rukou. Děti by měly být pod dohledem, aby si se spotřebičem nehrály.
- Pokud se poškodí napájecí kabel, výměnu musí provést výrobce, jeho servisní zástupce nebo osoby s podobnou kvalifikací, aby se vyloučilo riziko.

Tento spotřebič mohou používat děti starší osmi let a osoby s omezenými fyzickými, smyslovými nebo duševními schopnostmi nebo osoby nezkušené a neznalé za předpokladu, že jsou pod dohledem nebo si se spotřebičem nehrají.

Děti nesmějí provádět čištění a uživatelskou údržbu bez dozoru.

Děti ve věku od tří do osmi let nesmějí do této vinotéky vkládat potraviny a vyjímat je.

Dodržujte následující pokyny, aby nedošlo ke kontaminaci vína:

- Otevírání dvířek na delší dobu může významně zvýšit teplotu v jednotlivých prostorech spotřebiče.
- Pravidelně čistěte povrchy, které mohou přijít do styku s lahvemi, a přístupné vypouštěcí systémy.
- Pokud se nádrže na vodu nepoužívaly po dobu 48 h, vyčistěte je. Pokud nebyla vypuštěna voda po dobu 5 dnů, propláchněte vodní systém připojený k přívodu vody.
- Pokud je chladicí spotřebič ponechán delší dobu prázdný, vypněte ho, odmrázte, vyčistěte, vysušte a nechte otevřená dvířka, aby se zamezilo vzniku plísně uvnitř spotřebiče.

- **VAROVÁNÍ:** Zajistěte, aby ve skříní spotřebiče nebo v konstrukci pro vestavění nic nezakrývalo větrací otvory.

- **VAROVÁNÍ:** K rozmrazování nepoužívejte mechanické nástroje ani jiné prostředky. Používejte pouze prostředky doporučené výrobcem.

- **VAROVÁNÍ:** Nepoškozujte okruh chladiwa.

- **VAROVÁNÍ:** Uvnitř prostoru pro skladování potravin ve spotřebiči nepoužívejte elektrické spotřebiče, pokud se nejedná o spotřebiče doporučené výrobcem.

V tomto spotřebiči neskladujte výbušné látky, jako jsou nádoby s aerosolem, v nichž se používá hořlavý hnací plyn.

Tento spotřebič je určen k používání v domácnostech a podobných oblastech, jako jsou:

- kuchyňky pro personál v obchodech, kancelářích a na dalších pracovištích;
- chalupy a hotely, motely a další obytné objekty, kde je používají zákazníci;
- ubytovací zařízení typu penzionu se snídaní;
- cateringové služby a podobné aplikace, ve kterých se nejedná o maloobchodní prodej.
- **VAROVÁNÍ:** Spotřebič se musí upevnit podle pokynů, aby se předešlo vzniku rizika v důsledku jeho nestability.

**V ŽÁDNÉM PŘÍPADĚ SE NEPOKOUŠEJTE KABEL ZAPOJOVAT NEBO PRODLUŽOVAT.**

## DŮLEŽITÉ BEZPEČNOSTNÍ POKYNY

### ⚡VAROVÁNÍ⚡

Abyste snížili riziko požáru, úrazu elektrickým proudem nebo zranění při používání spotřebiče, dodržujte tato základní bezpečnostní opatření:

- Před používáním vinotéky si přečtěte všechny pokyny.
- **NEBEZPEČÍ nebo VAROVÁNÍ:** Nebezpečí uzavření dětí.  
Uvěznění a udušení dítěte nejsou problémy minulosti. Vyřazené nebo opuštěné spotřebiče jsou stále nebezpečné, i když „leží jen pár dní leží v garáži“.
- **Než vyhodíte svou starou vinotéku:** Odstraňte dvířka. Nechte police na místě, aby děti nemohly snadno vlézt dovnitř.
- Nikdy nedovolte dětem, aby se spotřebičem manipulovaly, hrály si s ním nebo do něj lezly.
- Nikdy nečistěte části spotřebiče hořlavými kapalinami. Výpary mohou způsobit nebezpečí požáru nebo výbuchu.
- V blízkosti tohoto ani jiného spotřebiče neskladujte ani nepoužívejte benzín nebo jiné hořlavé výpary a kapaliny. Výpary mohou způsobit nebezpečí požáru nebo výbuchu.
- **Pokud je chladivo těchto spotřebičů R600a, neměly by se do skříně nebo do její blízkosti vkládat hořlavé a výbušné předměty, aby nedošlo k požáru nebo výbuchu.**



**-Uchovejte si tyto pokyny-**

## POKYNY PRO INSTALACI

### ➤ Před použitím vinotéky

- Odstraňte vnější a vnitřní obalový materiál.
- Než připojíte vinotéku k napájení, nechte ji přibližně dvě hodiny stát ve vzpřímené poloze. Tím se sníží pravděpodobnost závady chladicího systému v důsledku zacházení během přepravy.
- Vyčistěte vnitřní povrch vlažnou vodou a měkkou látkou.
- Při likvidaci spotřebiče zvolte autorizované místo likvidace.

### ➤ Instalace vinotéky

- Tento spotřebič je určen k volně stojící instalaci nebo k vestavbě (zcela zapuštěné) (viz nálepka umístěná na zadní straně spotřebiče).
- **Tento spotřebič je určen výhradně ke skladování vína nebo nápojů.**
- Položte vinotéku na podlahu, která je dostatečně pevná, aby ji unesla i při plném zatížení. Chcete-li vinotéku vyrovnat, nastavte přední vyrovnávací nohu ve spodní části vinotéky.
- Tento spotřebič používá hořlavé chladivo. Při přepravě proto nikdy nepoškozujte chladicí trubky. Umístěte vinotéku mimo dosah přímého slunečního světla a zdrojů tepla (sporáku, ohřívače, radiátoru atd.). Přímé sluneční světlo by mohlo ovlivnit akrylový povlak a zdroje tepla by mohly zvýšit spotřebu elektřiny. Správnou funkčnost spotřebiče může ovlivňovat také extrémně nízká teplota okolí.
- Neumísťujte spotřebič do vlhkých prostorů.
- Zapojte vinotéku do samostatné, správně nainstalované a uzemněné nástěnné zásuvky. Za žádných okolností z napájecího kabelu neodstřihávejte ani neodstraňujte třetí (uzemňovací) kolík. S veškerými dotazy ohledně napájení a/nebo uzemnění byste se měli obracet přímo na kvalifikovaného elektrikáře nebo autorizované servisní středisko.

### ➤ Pozor

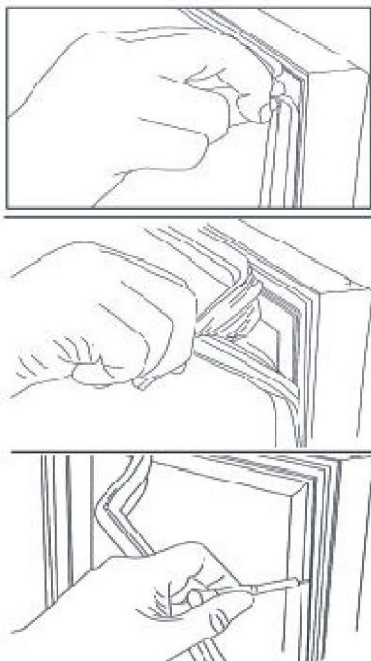
- Víno skladujte v uzavřených lahvích;
- Vinotéku nepřetěžujte;
- Neotvírejte dvířka, pokud to není nutné;
- Nezakrývejte police hliníkovou fólií ani jiným materiálem, který by mohl bránit cirkulaci vzduchu;
- Pokud je vinotéka delší dobu skladována bez použití, doporučujeme po pečlivém vyčištění nechat dvířka pootevřená, aby uvnitř mohl cirkulovat vzduch a zabránilo se tak možnému vzniku kondenzace, plísní nebo zápachu.

### ➤ Limity okolní teploty v místnosti

Tento spotřebič je určen k provozu při okolních teplotách, které jsou specifikovány teplotní třídou vyznačenou na typovém štítku.

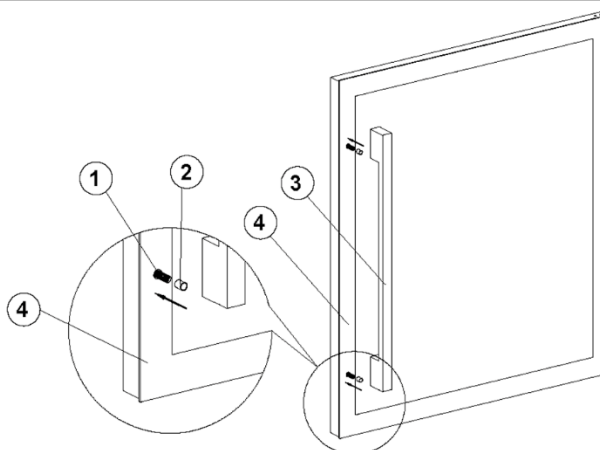
Třída	Symbol	Rozsah okolních teplot
Subnormální	SN	(+50 °F až +90 °F) +10 °C až +32 °C
Normální	N	(+60 °F až +90 °F) +16 °C až +32 °C
Subtropická	ST	(+60 °F až +100 °F) +16 °C až +38 °C
Tropická	T	(+60 °F až +110 °F) +16 °C až +43 °C

## ➤ Instalace madla



1. Otevřete dvířka a opatrně vytáhněte těsnění dveří pouze v místě, kde má být instalováno madlo.
2. Uvnitř dvířek uvidíte dva šrouby.
3. Nasadte kryt šroubu ve směru šipky (pouze u celoprosklených dveří a úzkých dveří z nerezové oceli), viz obr. 1.
4. 3krát nebo 4krát zašroubujte horní šroub a poté 3krát nebo 4krát zašroubujte spodní šroub, aby se madlo vyrovnalo.
5. Případně horní a dolní šroub dotáhněte, dokud nebude madlo zarovnáno s rámem dveří.
6. Opatrně zatlačte těsnění dveří do původní polohy.

- ① Šroub
- ② Kryty šroubů (přiložené k příruční brašně)
- ③ Madlo
- ④ Dveře



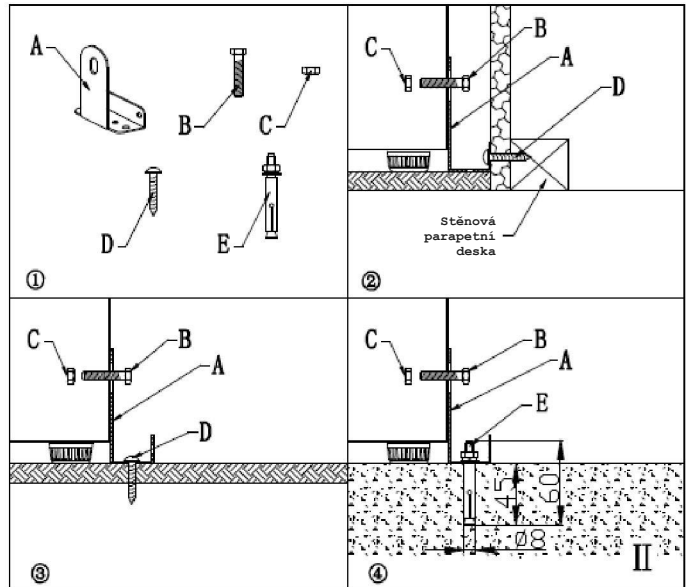
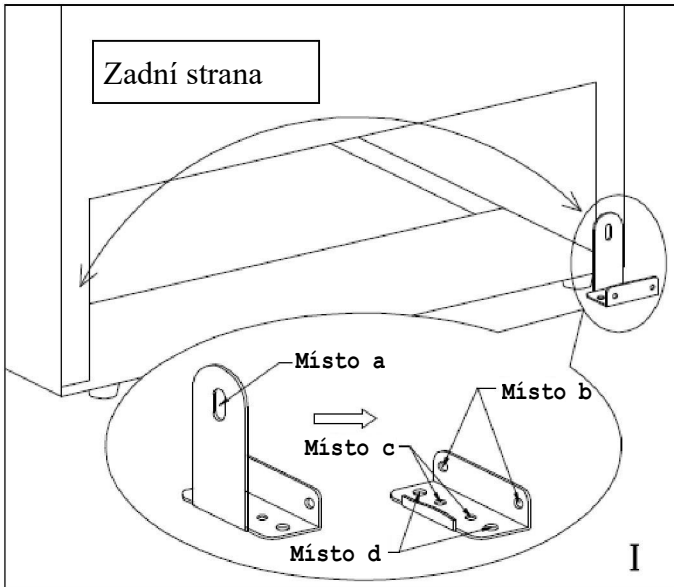
Obr. 1

### **POZOR:**

Šrouby neutahujte příliš silně, mohlo by dojít k poškození madla nebo dvířek.

## ➤ POKYNY PRO INSTALACI DRŽÁKU PROTI PŘEVŘÁCENÍ

**VAROVÁNÍ:** Při volném stání používejte držák proti převrácení a dodržujte níže uvedené pokyny, abyste zabránili nebezpečnému převrácení jednotky!



### 1. Seznam dílů držáku proti převrácení: (Obr. II ①)

- A: Držák proti převrácení (1 ks)
  - B: Šestihranný šroub (1 ks)
  - C: Šestihranná matice (1 ks)
  - D: Samořezný šroub (2 ks)
  - E: Rozpěrný šroub (1 ks)
- Upevněte držák pomocí dodaných šroubů.

### 2. Pokyny pro upevnění držáku proti převrácení: (Obr. I)

- Místo A: Pevný montážní otvor pro jednotku
- Místo B: Pevné montážní úchyty pro skutečnou stěnu
- Místo C: Pevné montážní úchyty pro dřevěnou podlahu
- Místo D: Pevné montážní úchyty pro betonovou podlahu

### 3. Postup instalace držáku proti převrácení:

Držák lze instalovat vlevo dole NEBO vpravo dole na zadní straně jednotky. Můžete si vybrat, která strana je pro vás pohodlnější.

**DŮLEŽITÉ:** Před pokusem o instalaci držáku určete konečné umístění.

Níže je třeba zvolit jeden ze tří způsobů instalace.

#### 1. Instalace na SKUTEČNOU STĚNU: (Obr. II ②)

Po potvrzení místa instalace umístěte držák na podlahu s místem B proti skutečné stěně, použijte D: Samořezný šroub (2ks) zarovnejte na místo B a upevněte držák do skutečné stěny.

Přesuňte jednotku tak, aby byla zarovnána s držákem v místě A, použijte B: Šestihranný šroub (1 ks) a C: Šestihranná matice (1 ks) k upevnění.

#### POZNÁMKA:

Šrouby MUSÍ zasahovat do dřevěné parapetní desky. Pokud stěna obsahuje kovové sloupky nebo podobné materiály, je nutné použít instalaci na podlahu.

#### 2. Instalace na DŘEVĚNOU PODLAHU: (Obr. II ③)

Po potvrzení místa instalace umístěte držák na dřevěnou podlahu, použijte D: Samořezný šroub (2ks) zarovnejte na místo C a upevněte držák do dřevěné podlahy.

Přesuňte jednotku tak, aby byla zarovnána na držák v místě A, použijte B: Šestihranný šroub (1 ks) a C: Šestihranná matice (1 ks) k upevnění.

### 3. Instalace na BETONOVOU PODLAHU: (Obr. II ④)

Po potvrzení místa instalace zvolte libovolný úchyt v místě D pro upevnění držáku do betonové podlahy Pomocí vrtáku do betonu vyvrtejte Ø8mm otvor o hloubce 45~55 mm. Použijte E: Rozpěrný šroub (1 ks) zasuňte do betonu, vyjměte matici, pružnou podložku a podložku. Zarovnejte místo D s E: rozpěrný šroub (1 ks) a nasadte zpět matici, pružnou podložku a podložku pro upevnění na betonovou podlahu.

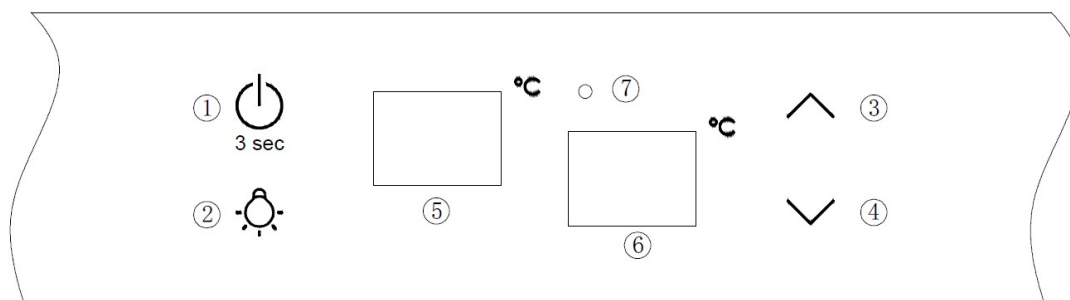
Přesuňte jednotku tak, aby byla zarovnána na držák v místě A, použijte B: Šestihranný šroub (1 ks) a C: Šestihranná matice (1 ks) k upevnění.






#### POZOR:

Zkontrolujte držák: Po instalaci držáku se snažte použít vhodnou intenzitu naklápění jednotky. Pokud se jednotka nesklápí, znamená to, že držák je namontován bezpečně, nebo MUSÍ být znovu namontován podle těchto pokynů.

## OBSLUHA VINOTÉKY / CHLADNIČKY NA NÁPOJE A NASTAVENÍ REGULACE TEPLoty

### ➤ Pokyny k řídicímu systému



- **Tlačítko ①**  3 sec  
Pro ovládání tohoto spotřebiče zapněte/vypněte (stiskněte a podržte tato tlačítka po dobu přibližně 3 sekund).
- **Tlačítko ②**   
Ovládání zapnutí/vypnutí vnitřního světla.
- **Tlačítko ③**   
Nastavení teploty horní komory.
- **Tlačítko ④**   
Nastavení teploty spodní komory.
- **Okno displeje LED ⑤**  
Nastavení teploty horní komory.
- **Okno displeje LED ⑥**  
Nastavení teploty spodní komory.
- **Kontrolka ⑦**   
Zobrazení kompresoru v provozu.

### ➤ Nastavování regulátoru teploty

- Po stisknutí tlačítka „ $\wedge$ “ nebo „ $\vee$ “ systém automaticky přejde do režimu nastavení v horním nebo dolním prostoru. Kontrolka LED začne blikat a zobrazí nastavenou teplotu.

Stiskněte jednou tlačítko a teplota se sníží nebo zvýší o 1 °C. Při překročení minimální hodnoty, kterou lze nastavit, automaticky přejde na nejvyšší nastavitelnou hodnotu teploty. Po přerušení stisknutí tlačítka na 5 sekund přestane blikat údaj LED, poté se vrátí k zobrazení teploty horního nebo dolního prostoru.

- Po odpojení jednotky ze zásuvky se systém vrátí na odsouhlasenou teplotu, která je nastavena z výroby.

Odsouhlasená teplota je uvedena níže:

Horní prostor: 6 °C

Spodní prostor: 12 °C

- Pokud chcete zobrazit každou nastavenou vnitřní teplotu, stiskněte odpovídající tlačítko „Nastavit horní“ nebo „Nastavit dolní“, LED dioda bude blikat a zobrazí nastavenou teplotu. Po zastavení stisknutí tlačítka na 5 sekund přestane LED dioda blikat, poté se vrátí k zobrazení aktuální teploty.

**Horní prostor:** Teplotu lze nastavit v rozmezí od 5 °C do 10 °C.

**Spodní prostor:** Teplotu lze nastavit v rozmezí od 10 °C do 18 °C.

### ➤ Výstraha teploty

Pokud je teplota uvnitř vyšší než 23 °C, zobrazí se na panelu displeje „HI“ a po jedné hodině se rozezní alarm / zvukový signál. Znamená to, že teplota uvnitř je příliš vysoká. Pokud je teplota uvnitř nižší než 0 °C, zobrazí se na panelu displeje „LO“ a současně je aktivní i indikátor poruchy.

### ➤ Funkce zapamatování teploty

V případě přerušení napájení si vinotéka pamatuje předchozí nastavení teploty a po obnovení napájení se teplota vinotéky vrátí na stejnou teplotu, jaká byla nastavena při vypnutí.

### ➤ Alarm otevřených dvířek

Když zapomenete zavřít dvířka nebo dvířka nejsou zcela dovřena, po 5 minutách se ozve zvukový signál. Zcela zavřete dvířka, aby nedošlo ke ztrátě chladu.

### ➤ Vnitřní světlo

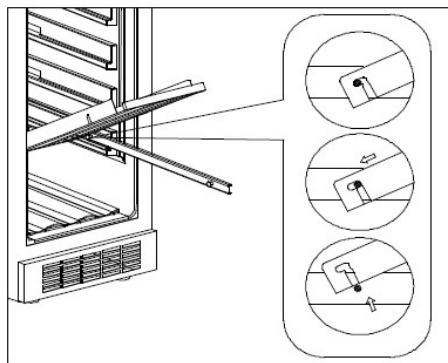
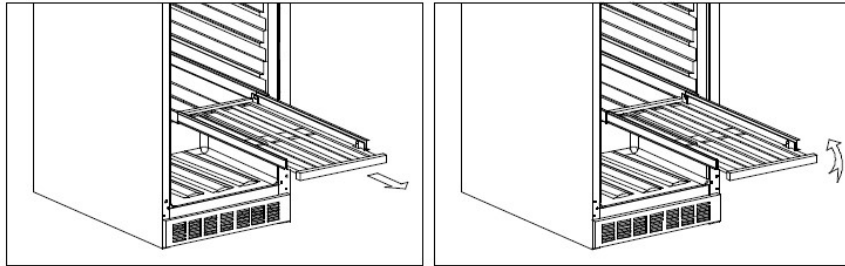
Aby se snížila spotřeba energie, světlo LED v této vinotéce se po zavření dveří automaticky vypne. Pokud si přejete, aby světlo LED svítilo nepřetržitě, je to možné. Stiskněte a podržte spodní tlačítko „SVĚTLO“ po dobu 5 sekund, na displeji se zobrazí „LP“. Po 4 sekundách se displej vrátí do normálního režimu a kontrolka bude svítit, dokud ji ručně nevypnete. Pokud se chcete vrátit zpět a šetřit energii (doporučeno), stiskněte a podržte tlačítko „SVĚTLO“ po dobu 5 sekund, na displeji se zobrazí „LF“. Po 4 sekundách se displej vrátí do normálního režimu, kontrolka se rozsvítí, když jsou dvířka otevřená, a kontrolka zhasne, když jsou zavřena.

➤ **Pokyny k policím**

Nezakrývejte police hliníkovou fólií ani jiným materiálem, protože to brání proudění vzduchu uvnitř vinotéky a může nepříznivě ovlivnit vnitřní teplotu vinotéky.

Vyjmutí polic:

1. Polici úplně vysuňte.
2. Zvedněte přední část police.
3. Podržetím dráhy police zatlačte polici dovnitř a pak nahoru, aby se uvolnila ze zadních tlumičů.



➤ **POZNÁMKA:**

- Pokud spotřebič odpojíte od zásuvky, dojde k výpadku napájení nebo jej vypnete, před opětovným spuštěním musíte počkat 3 až 5 minut. Pokud se pokusíte o opětovné spuštění před touto časovou prodlevou, vinotéka / chladnička na nápoje se nespustí.
- Při prvním použití vinotéky / chladničky na nápoje nebo při opětovném spuštění vinotéky / chladničky na nápoje po delším vypnutí může dojít k odchylce několika stupňů mezi zvolenou teplotou a teplotou zobrazenou na displeji LED. To je normální a je to způsobeno délkou aktivační doby. Po několika hodinách provozu vinotéky / chladničky na nápoje se vše vrátí do normálu.



## ➤ Jak změnit otevírání dvířek

Tento spotřebič má oboustranná dvířka, ale dodává se s pravými výklopnými dvířky. Sada levého závěsu je dodávána s jednotkou (v krabici), pokud si přejete závěs na jednotce otočit.

**1. Spodní závěs (pravý)**

**4. Dvířka**

**7. Horní závěs (levý)**

**10. Omezovač dveří**

**2. Šrouby**

**5. Horní závěs (pravý)**

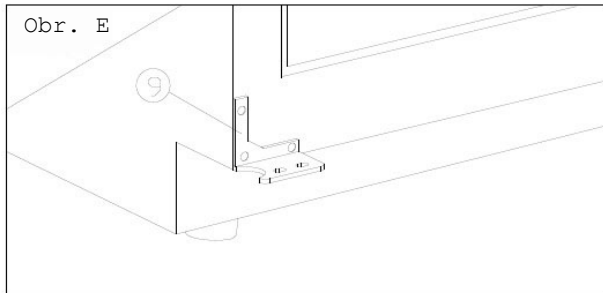
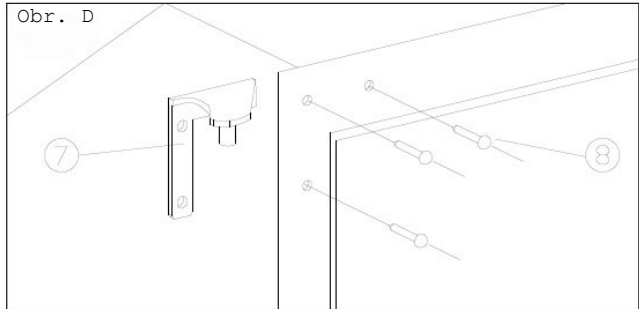
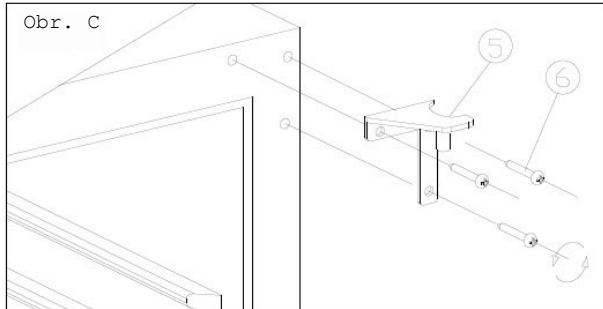
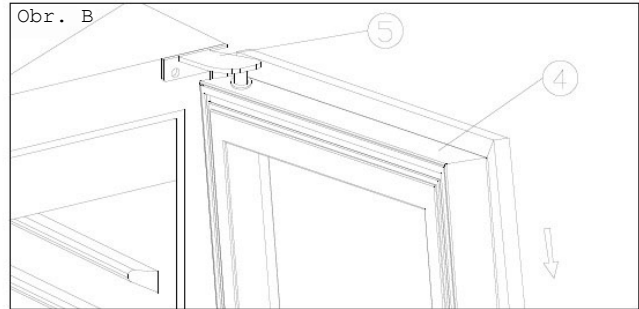
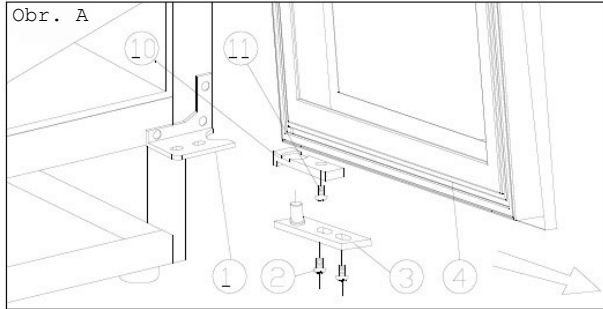
**8. Kryt otvoru**

**11. Šroub**

**3. Osa dvířek**

**6. Šrouby závěsů**

**9. Spodní závěs (levý)**

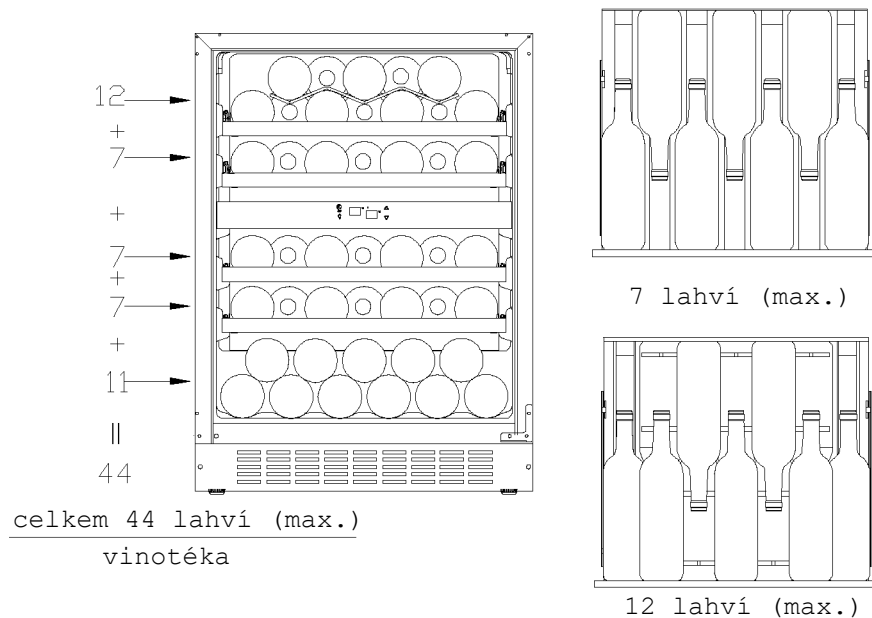


1. Otevřete dvířka do úhlu 90 stupňů, vyjměte 2 šrouby (2) ze spodní osy dveří (3), vyjměte dvířka (4), vyjměte desku osy (3) z dveří, (obr. A).
2. Vyšroubujte šroub (11) umístěný pod rámem dvířek a koncovým zařízením (10) a přemístěte jej na levou stranu rámu dvířek. (Obr. A/B)
3. Vyjměte 3 šrouby závěsu (6) z horního závěsu (pravého) (5) a sejměte jej. (Obr. C)
4. Odstraňte ozdobný hřebík (8) z levé horní části skříňky a nainstalujte náhradní horní závěs (levý) (7) na levou horní část skříňky pomocí 3 šroubů. (Obr. D)
5. Podle výše uvedeného postupu namontujte náhradní spodní závěs vlevo (9). (Obr. E)
6. Nainstalujte a vyrovnejte dvířka.
7. Nasadte plastové krytky, které zakryjí otvory (8).

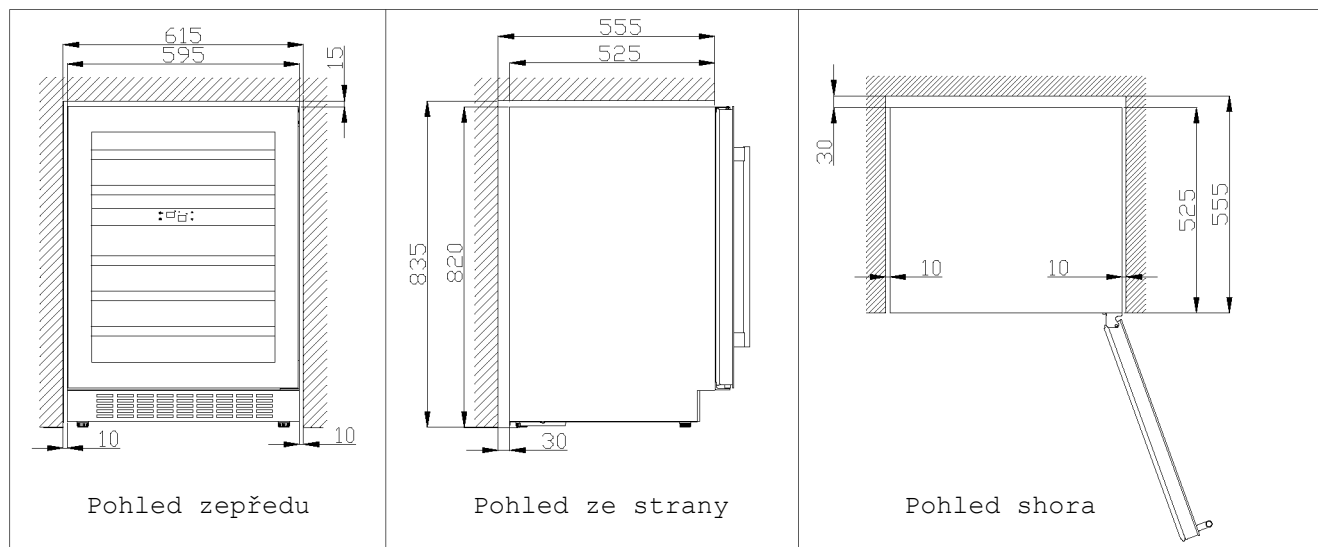
➤ **Schéma skladování**

Podle skutečné konfigurace vašeho produktu zkontrolujte relativní schéma skladování.

Celkem: 44 lahví (max.)



➤ **Instalační specifikace pro vestavbu**



## ČIŠTĚNÍ A ÚDRŽBA

### ➤ Čištění vinotéky

- Vypněte napájení, odpojte spotřebič od sítě a vyjměte všechny předměty včetně polic a stojanu.
- Umyjte vnitřní povrchy roztokem jedlé sody v teplé vodě. Roztok by měl mít koncentraci asi dvě polévkové lžíce jedlé sody na litr vody.
- Umyjte police jemným roztokem mycího prostředku.
- Při čištění prostoru kolem ovládacích prvků nebo elektrických součástí vyždímejte houbu nebo látku.
- Vnější povrch skříně umyjte teplou vodou a slabým tekutým čisticím prostředkem. Důkladně ho opláchněte a osušte čistou měkkou látkou.

### ➤ Výpadek napájení

- Výpadky napájení většinou trvají jen několik hodin a neměly by ovlivnit teplotu uvnitř spotřebiče, pokud minimalizujete četnost otvírání dvířek. Pokud bude napájení delší dobu vypnuté, musíte přijmout vhodná opatření na ochranu obsahu vinotéky.

### ➤ Během dovolené

- **Krátká dovolená:** Během dovolené kratší než tři týdny nechte vinotéku v provozu.
- **Dlouhá dovolená:** Pokud spotřebič nebudete několik měsíců používat, vyjměte všechny předměty a spotřebič vypněte. Důkladně vyčistěte a vysušte vnitřek spotřebiče. Nechte dveře pootevřené, aby se zamezilo vzniku zápachu a plísně; v případě potřeby zablokujte dveře v otevřené poloze.

### ➤ Přemístění vinotéky

- Odeberte všechny položky
- Všechny volné předměty (polic) uvnitř spotřebiče bezpečně zalepte.
- Otočte nastavitelnou nohu až k základně, aby nedošlo k jejímu poškození.
- Zajistěte zavřené dveře lepicí páskou.
- Zajistěte, aby spotřebič během přepravy bezpečně stál ve vzpřímené poloze. Také zakryjte vnější povrch spotřebiče dekou apod.

### ➤ Tipy pro úsporu energie

- Vinotéka by se měla umístit do nejchladnějšího místa v místnosti, dále od spotřebičů vydávajících teplo a mimo dosah přímého slunečního světla.

## MÁTE S VINOTÉKOU / CHLADNIČKOU NA NÁPOJE PROBLÉMY?


Většinu běžných problémů s vinotékou / chladničkou na nápoje můžete snadno vyřešit sami, ušetříte tak za případné volání servisu. Než zavoláte servisního technika, vyzkoušejte níže uvedené návrhy, abyste zjistili, zda můžete vyřešit problém.

### ŘEŠENÍ PROBLÉMŮ

PROBLÉM	MOŽNÁ PŘÍČINA
Vinotéka / chladnička na nápoje nefunguje.	Není připojen k napájení. Spotřebič je vypnutý Vypadl jistič, nebo se spálila pojistka.
Vinotéka / chladnička na nápoje není dostatečně chladná.	Zkontrolujte nastavení regulace teploty. Vnější prostředí může vyžadovat vyšší nastavení. Příliš často se otvírají dveře. Dveře nejsou úplně zavřené. Těsnění dveří správně netěsní.
Často se zapíná a vypíná.	Pokojová teplota je vyšší než obvykle. Do vinotéky / chladničky na nápoje bylo přidáno velké množství obsahu. Příliš často se otvírají dveře. Dveře nejsou úplně zavřené. Regulátor teploty není správně nastavený. Těsnění dveří správně netěsní.
Světlo nefunguje.	Není připojen k napájení. Vypadl jistič, nebo se spálila pojistka. Žárovka se přepálila. Tlačítko světla je „VYPNUTO“.
Vibrace.	Zkontrolujte, zda je vinotéka / chladnička na nápoje v rovině.
Vinotéka / chladnička na nápoje se zdá být příliš hlučná.	Chrčení může být způsobováno průtokem chladiva, což je normální jev. Na konci každého cyklu se může ozývat bublání způsobované průtokem chladiva ve vinotéce / chladničce na nápoje. Stahování a roztahování vnitřních stěn může způsobovat praskavé zvuky. Vinotéka / chladnička na nápoje není v rovině.
Dveře se správně nezavírají.	Vinotéka / chladnička na nápoje není v rovině. Změnil se směr otvírání dveří, ale instalace neproběhla správně. Těsnění je znečištěné. Police nejsou na svém místě.

### Před likvidací spotřebiče.

1. Odpojte zástrčku z elektrické zásuvky.
2. Odstřihněte napájecí kabel a zlikvidujte jej.

	Správná likvidace tohoto produktu
	<p>Tento symbol na produktu nebo na jeho balicím materiálu znamená, že tento produkt nelze likvidovat jako domovní odpad. Místo toho je třeba jej odevzdat do příslušného sběrného dvora, kde je zajištěna recyklace elektrického a elektronického vybavení. Pokud zajistíte řádnou likvidaci tohoto spotřebiče, zabráníte možným negativním dopadům na životní prostředí a lidské zdraví, ke kterým by mohlo dojít při nevhodném zpracování odpadů z tohoto spotřebiče. Podrobnější informace o recyklaci tohoto produktu vám sdělí vaše místní úřady, vaše místní společnost zajišťující likvidaci odpadu nebo obchod, kde jste produkt zakoupili.</p>

# **BEDIENUNGSANLEITUNG FÜR WEINKÜHLER**

MODELL-NR.  
**JG45B**

**Vielen Dank, dass Sie sich für unseren Weinkühler entschieden haben. Wir hoffen, dass unser innovatives Produkt Ihrem Wein einen besonderen, angenehmen Geschmack verleihen wird. Bitte lesen Sie vor der Benutzung alle Sicherheitsvorschriften und Bedienungsanweisungen und befolgen Sie diese.**

## WARNUNG!

- Um eine Beschädigung der Türdichtung zu vermeiden, muss die Tür ganz geöffnet sein, wenn Sie die Einlegeböden aus den Führungsschienen herausziehen.
- Das Gerät sollte so positioniert sein, dass der Stecker frei zugänglich ist. Lösen Sie das Stromkabel. Bringen Sie Ihren Schrank an seinen endgültigen Standort. Bewegen Sie den Schrank nicht, wenn er mit Wein beladen ist. Das Gehäuse könnte verziehen. Der Weinschrank muss an einem geeigneten Ort aufgestellt werden, um eine Berührung des Kompressors mit der Hand zu vermeiden. Kinder sollten beaufsichtigt werden, um sicherzustellen, dass sie nicht mit dem Gerät spielen.
- Wenn das Stromkabel beschädigt ist, muss es vom Hersteller oder von seinem Service-Mitarbeiter, oder einer gleichwertig qualifizierten Person ausgetauscht werden, um jegliches Risiko zu vermeiden.

Dieses Gerät kann von Kindern ab 8 Jahren und Personen mit eingeschränkten körperlichen, sensorischen oder geistigen Fähigkeiten oder mangelnder Erfahrung und Kenntnis verwendet werden, wenn sie beaufsichtigt werden und nicht mit dem Gerät spielen. Reinigung und Pflege darf nicht von Kindern ohne Aufsicht erfolgen.

Kinder im Alter von 3 bis 8 Jahren dürfen den Weinkühler nicht be- und entladen.

Um eine Verunreinigung des Weins zu vermeiden, beachten Sie die folgenden Hinweise:

- Das längere Öffnen der Tür kann zu einem bedeutenden Temperaturanstieg in den Kühlfächern des Geräts führen.
- Die mit den Flaschen in Berührung kommenden Oberflächen und zugänglichen Ablaufsysteme müssen regelmäßig gereinigt werden.
- Reinigen Sie die Wassertanks, wenn sie 48 Stunden lang nicht benutzt wurden. Spülen Sie den an eine Wasserleitung angeschlossenen Wasserkreislauf, wenn fünf Tage lang kein Wasser entnommen wurde.
- Wenn das Kühlgerät längere Zeit leer bleibt, schalten Sie es aus, tauen Sie es ab, reinigen und trocknen Sie es, und lassen Sie die Tür offen, um zu verhindern, dass sich im Innenraum Schimmel bildet.
- **WARNUNG:** Lüftungsschlitze am Gehäuse des Geräts oder in der Einbauöffnung freihalten.
- **WARNUNG:** Keine mechanischen oder sonstigen Hilfsmittel verwenden, um den Abtauvorgang zu beschleunigen, es sei denn, dies ist vom Hersteller so empfohlen.
- **WARNUNG:** Den Kühlkreislauf nicht beschädigen.
- **WARNUNG:** Im Inneren des Haushaltsgeräts keine elektrischen Geräte benutzen, es sei denn, sie sind vom Hersteller empfohlen.

Keine explosiven Substanzen mit entzündlichen Treibgasen, wie Sprühdosen, in diesem Gerät lagern.

Dieses Gerät ist ausschließlich für den Hausgebrauch und vergleichbare Verwendungen bestimmt

- Personalküchen in Geschäften, Büros und anderen Arbeitsumgebungen;
- in landwirtschaftlichen Betrieben, für die Nutzung durch Gäste von Hotels, Pensionen und ähnlichen Unterkünften;
- Bed & Breakfast (B&B);
- Catering-Dienste und ähnliche, nicht kommerzielle Zwecke.
- **WARNUNG:** Um eine Gefährdung durch Instabilität des Geräts zu vermeiden, muss es gemäß den Anweisungen befestigt werden.

**BITTE VERSUCHEN SIE AUF KEINEN FALL, DAS KABEL EINZUSTECKEN ODER ZU VERLÄNGERN.**

## WICHTIGE SICHERHEITSHINWEISE

### ⚡ WARNUNG ⚡

Um das Risiko eines Brandes, eines Stromschlags oder einer Verletzung bei der Verwendung Ihres Geräts zu verringern, müssen Sie die folgenden grundlegenden Vorsichtsmaßnahmen beachten:

- Lesen Sie alle Hinweise sorgfältig durch, bevor Sie den Weinkühler benutzen.
- **GEFAHR oder WARNUNG:** Es besteht die Gefahr, dass Kinder im Gerät eingesperrt werden.  
Das Einklemmen und Ersticken von Kindern ist kein Problem der Vergangenheit. Ausrangierte oder stillgelegte Geräte sind immer noch gefährlich... auch wenn sie „nur ein paar Tage in der Garage stehen“.
- **Bevor Sie Ihren alten Weinkühler wegwerfen:** Nehmen Sie die Tür ab. Lassen Sie die Regalflächen im Gerät, damit Kinder nicht so leicht hineinklettern können.
- Erlauben Sie Kindern niemals, das Gerät zu bedienen, damit zu spielen oder in das Innere des Geräts zu krabbeln.
- Reinigen Sie Geräteteile niemals mit brennbaren Flüssigkeiten. Die Dämpfe können eine Brand- oder Explosionsgefahr darstellen.
- Lagern oder verwenden Sie kein Benzin oder andere entflammable Dämpfe und Flüssigkeiten in der Nähe dieses oder eines anderen Geräts. Die Dämpfe können eine Brand- oder Explosionsgefahr darstellen.
- **Wenn diese Geräte mit R600a gekühlt werden, dürfen entflammable und explosive Gegenstände nicht in oder in der Nähe des Schanks aufbewahrt werden, um Brände oder Explosionen zu vermeiden.**



- Bewahren Sie diese Anweisung auf -

## INSTALLATIONSANWEISUNG

### ➤ Vor der Verwendung Ihres Weintemperierschranks

- Entfernen Sie die Umverpackung und die Innenverpackung.
- Vor dem Anschluss an die Stromquelle muss der Weintemperierschrank zwei (2) Stunden aufrecht stehen. Auf diese Weise werden Störungen des Kühlsystems infolge der Handhabung während des Transports vermieden.
- Reinigen Sie die Außenflächen mit handwarmem Wasser und einem weichen Tuch.
- Entsorgen Sie Ihr Gerät nur über einen autorisierten Abfallentsorger.

### ➤ Installation Ihres Weintemperierschranks

- Dieses Gerät ist für die freistehende Installation oder für den Einbau (vollständig integriert) vorgesehen (siehe Aufkleber auf der Rückseite des Geräts).
- **Dieses Gerät ist ausschließlich für die Wein- und Getränkelagerung bestimmt.**
- Stellen Sie den Weintemperierschrank auf einem Boden mit ausreichender Tragkraft für das vollbeladene Gerät auf. Bringen Sie den Weintemperierschrank über den vorderen Stellfuß an der Unterseite in die Waage.
- Dieses Gerät enthält ein entflammbares Kältemittel. Beschädigen Sie also niemals die Kühlleitungen während des Transports. Stellen Sie den Weintemperierschrank geschützt vor direkter Sonneneinstrahlung und von Heizquellen entfernt auf (Ofen, Herd, Heizkörper usw.). Direkte Sonneneinstrahlung kann die Akrylbeschichtung beschädigen und Heizquellen in der Nähe tragen zu erhöhtem Energieverbrauch bei. Extrem kalte Temperaturen können ebenfalls die Ursache dafür sein, dass das Gerät nicht richtig arbeitet.
- Stellen Sie das Gerät nicht an feuchten Orten auf.
- Verbinden Sie den Weintemperierschrank mit einer einzelnen, richtig geerdeten Wandsteckdose. Schneiden Sie unter keinen Umständen den (dritten) Erdungsstift vom Stecker ab: entfernen Sie ihn niemals! Wenden Sie sich mit Fragen zur Stromversorgung und/oder der Erdung an einen qualifizierten Elektriker oder den autorisierten Kundendienst.

### ➤ Achtung

- Wein in verschlossenen Flaschen aufbewahren;
- Schrank nicht überladen;
- Tür nur öffnen, wenn es notwendig ist;
- Einlegeböden nicht mit Alufolie oder anderem Material abdecken, das die Luftzirkulation behindern könnte;
- Sollte der Weintemperierschrank längere Zeit nicht benutzt werden, empfiehlt es sich, nach einer sorgfältigen Reinigung die Tür einen Spalt offen zu lassen, damit die Luft im Inneren des Gehäuses zirkulieren kann, und um eine mögliche Bildung von Kondenswasser, Schimmel oder Gerüchen zu vermeiden.

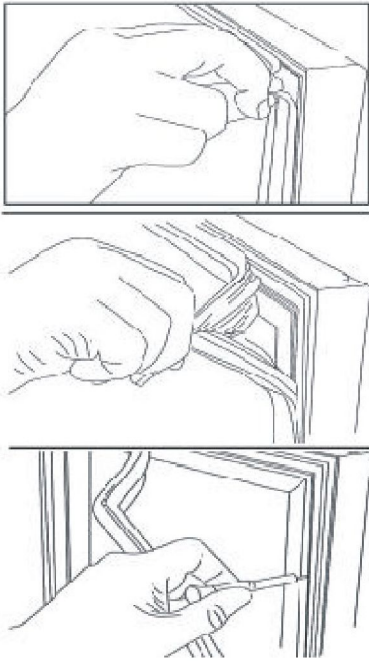
### ➤ Grenzwerte für die Raumtemperatur

Dieses Gerät ist für den Betrieb bei Umgebungstemperaturen ausgelegt, die durch die auf dem Typenschild angegebene Temperaturklasse angegeben sind.

Klasse	Symbol	Bereich der Umgebungstemperaturen
Subnormal	SN	+50°F bis +90°F (+ 10°C bis + 32°C)
Normal	N	+60°F bis +90°F (+16°C bis +32°C)
Subtropisch	ST	+60°F bis +100°F (+16°C bis +38°C)
Tropisch	T	+60°F bis +110°F (+16°C bis +43°C)



➤ **Anbringen des Griffs**



1. Öffnen Sie die Tür und ziehen Sie die Türdichtung vorsichtig nur an der Stelle heraus, an der der Griff montiert werden soll.
2. An der Innenseite der Tür sind zwei Schrauben zu sehen.
3. Setzen Sie die Schraubenabdeckung in Pfeilrichtung ein (nur bei Vollglastür und schmaler Edelstahltür). siehe Abb. 1
4. Drehen Sie die obere Schraube 3 oder 4 Umdrehungen, und dann die untere Schraube für 3 oder 4 Umdrehungen, um den Griff auszurichten
5. Alternativ können Sie die obere und untere Schraube anziehen, bis der Griff bündig am Türrahmen anliegt.
6. Drücken Sie die Türdichtung vorsichtig in ihre ursprüngliche Position.

- ① Schraube
- ② Schraubenabdeckungen (an der Aufbewahrung der Anleitung befestigt)
- ③ Handgriff
- ④ Tür

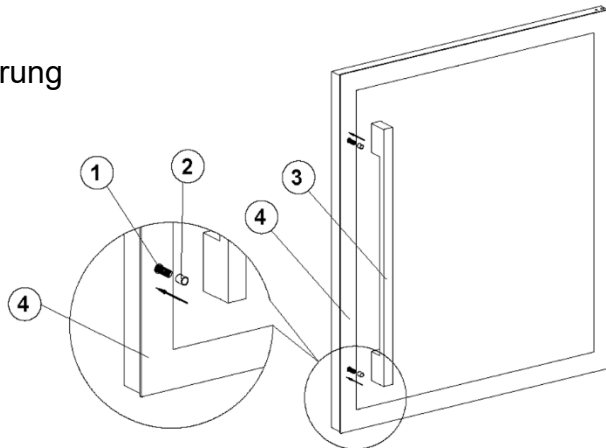


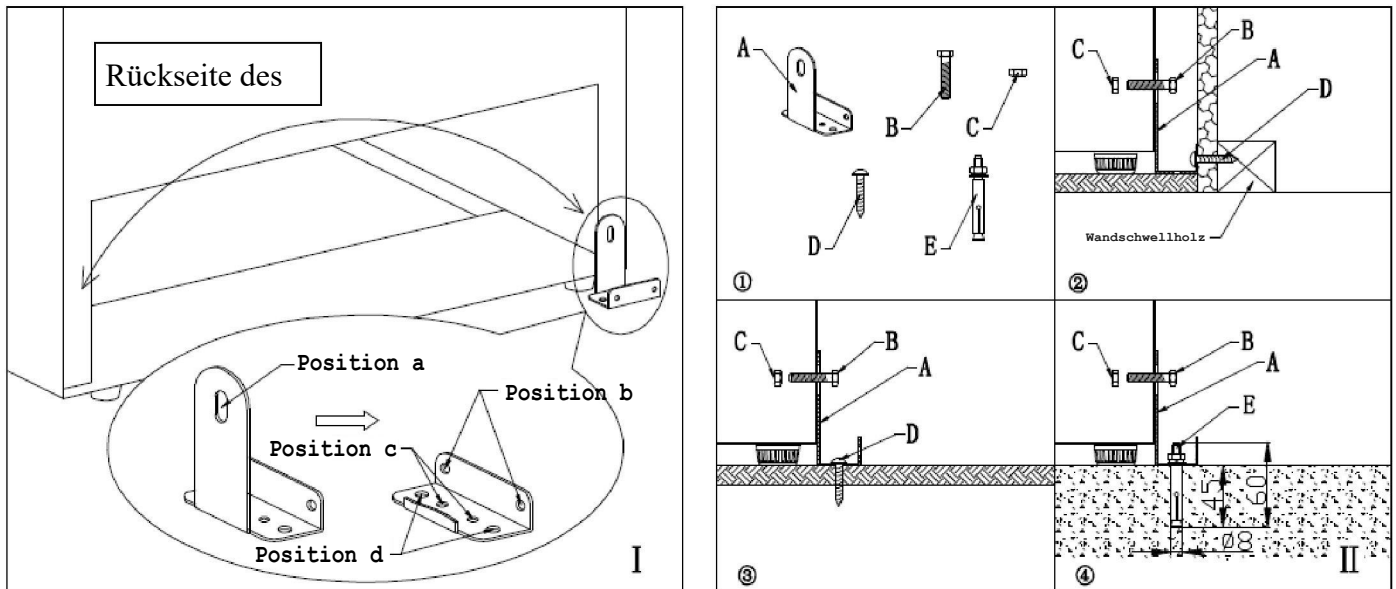
Abb. 1

**VORSICHT:**

Ziehen Sie die Schrauben nicht zu fest an, da dies zu Schäden am Griff oder an der Tür führen kann.

## ➤ MONTAGEANLEITUNG FÜR KIPPSCHUTZ

**WARNUNG:** Bitte verwenden Sie den Kippschutz und befolgen Sie die folgenden Anweisungen, wenn Sie das Gerät **FREI AUFSTELLEN**, um ein gefährliches Umkippen zu vermeiden!



### 1. Kippschutzes Ersatzteilliste: (Abb. II ①)

A: Kippschutz (1 St.)

B: Sechskantschraube (1 St.)

C: Sechskantmutter (1 St.)

D: Selbstschneidende Schraube (2 St.)

E: Dehnschraube (1 St.)

Befestigen Sie den Kippschutz mit den mitgelieferten Schrauben.

### 2. Anleitung zum Halten des Kippschutzes: (Abb. I)

Position A: Befestigungsloch für das Gerät

Position B: Befestigungen für die Wand

Position C: Befestigungen für Holzboden

Position D: Befestigungen für Betonboden

### 3. Montageschritte für den Kippschutz:

Der Kippschutz kann links unten ODER rechts unten an der Rückseite des Geräts angebracht werden. Sie können wählen, welche Seite für Sie bequem ist.

**WICHTIG:** Bestimmen Sie die endgültige Position, bevor Sie den Kippschutz anbringen.

Sie müssen eine der drei folgenden Installationsmethoden wählen.

#### 1. WAND-Installation: (Abb. II ②)

Nachdem Sie die Installationsposition bestätigt haben, stellen Sie den Kippschutz auf den Boden, wobei Position B gegen die Wand gerichtet ist, und verwenden Sie D: Selbstschneidende Schrauben (2 Stück) Position B ausrichten und den Kippschutz an der Wand befestigen.

Verschieben Sie das Gerät, um es am Kippschutz Position A auszurichten, verwenden Sie B: Sechskantschraube (1 St.) und C: Sechskantmutter (1 St.) zur Befestigung.

#### HINWEIS:

Die Schrauben **MÜSSEN** in ein Schwellholz eingedreht werden. Wenn die Wand Metallständer oder ähnliche Materialien enthält, muss die Bodeninstallation verwendet werden

## 2. HOLZBODEN-Installation: (Abb. II ③)

Nachdem Sie die Installationsposition bestätigt haben, platzieren Sie den Kippschutz auf dem Holzboden, verwenden Sie D: Selbstschneidende Schrauben (2 Stück) Position C ausrichten und den Kippschutz im Holzboden befestigen.

Bringen Sie das Gerät an den Kippschutz Position A und verwenden Sie B: Sechskantschraube (1 St.) und C: Sechskantmutter (1 St.) zur Befestigung.

## 3. BETONBODEN-Installation: (Abb. II ④)

Nachdem Sie die Installationsposition bestätigt haben, wählen Sie eine beliebige Halterung von Position D, um den Kippschutz im Betonboden zu befestigen

Bohren Sie mit einem Betonbohrer  $\varnothing 8$  mm tiefe Vorbohrungen von 45 bis 55 mm. Verwenden Sie E: Dehnschraube (1 Stück) in den Beton einführen, Mutter, Federring und Unterlegscheibe herausnehmen. Richten Sie Position D auf E aus: Dehnschraube (1 Stück) und setzen Sie die Mutter, Federscheibe und Unterlegscheibe wieder ein, um sie auf dem Betonboden zu befestigen.

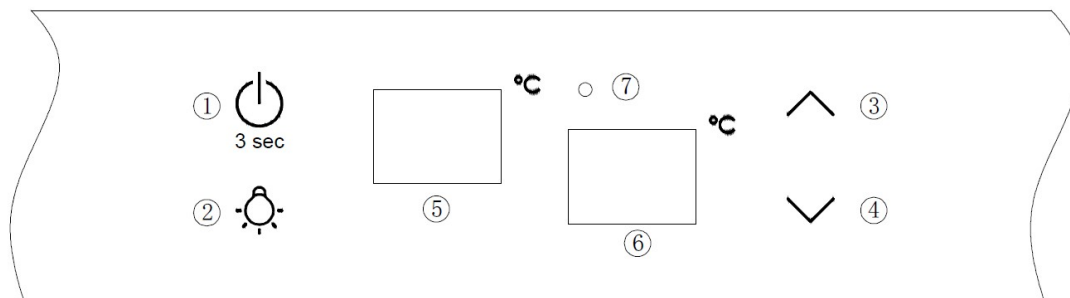
Bringen Sie das Gerät an den Kippschutz Position A und verwenden Sie B: Sechskantschraube (1 St.) und C: Sechskantmutter (1 St.) zur Befestigung.





### ACHTUNG:

Überprüfen Sie den Kippschutz: Versuchen Sie nach der Installation des Kippschutzes, das Gerät mit angemessener Kraft zu kippen. Wenn das Gerät nicht kippt, bedeutet dies, dass der Kippschutz sicher montiert ist oder gemäß diesen Anweisungen neu montiert werden MUSS.

## BEDIENUNG DES WEIN-/GETRÄNKEKÜHLSCHRANKS UND EINSTELLUNG DER TEMPERATURREGELUNG

### ➤ Anweisung für das Bedienfeld



- **Taste ①** “  ”  
Schalten Sie zur Bedienung das Gerät ein/aus (halten Sie diese Tasten ca. 3 Sekunden lang gedrückt).
- **Taste ②** “  ”  
Schalten Sie das Innenlicht über diese Taste ein/aus.
- **Taste ③** “  ”  
Zum Einstellen der Temperatur im oberen Fach.
- **Taste ④** “  ”  
Zum Einstellen der Temperatur im unteren Fach.
- **⑤ LED-Anzeigefenster**  
Zum Einstellen der Temperatur im oberen Fach.



- **Ⓢ LED-Anzeigefenster**

Zum Einstellen der Temperatur im unteren Fach.

- **Ⓢ Anzeigeleuchte**

Anzeige Kompressor in Betrieb.

- **Einstellen der Temperaturregelung**

- Wenn Sie die Taste „“ oder „“ drücken, geht das System automatisch in den Einstellungsmodus für das obere oder untere Fach. Die LED blinkt und zeigt die Temperatureinstellung an.

Durch einmaliges Drücken der Taste wird die Temperatur um 1°C gesenkt oder erhöht. Bei Überschreiten des einstellbaren Mindestwertes springt das System automatisch auf den höchsten einstellbaren Temperaturwert. Wenn Sie die Taste 5 Sekunden lang nicht mehr drücken, hört die LED-Anzeige auf zu blinken und zeigt wieder die Temperatur des oberen oder unteren Fachs an.

- Nachdem das Gerät vom Stromnetz getrennt wurde, kehrt das System auf die werkseitig eingestellte Temperatur zurück. Die akzeptierte Temperatur ist wie folgt:

Oberes Fach: 6° C

Unteres Fach: 12° C

- Wenn Sie jede Innenraumtemperatur anzeigen möchten, drücken Sie die Taste „Oberes Fach einstellen“ oder „Unteres Fach einstellen“. Die LED blinkt und zeigt die eingestellte Temperatur an. Wenn Sie die Taste 5 Sekunden lang nicht mehr drücken, hört die LED-Anzeige auf zu blinken und kehrt dann zur Anzeige der aktuellen Temperatur zurück.

**Oberes Fach:** Die Temperatur kann von 5°C bis 10°C eingestellt werden.

**Unteres Fach:** Die Temperatur kann von 10°C bis 18°C eingestellt werden.

- **Temperaturalarm**

Wenn die Innentemperatur über 23°C liegt, wird auf dem Display „HI“ angezeigt, und nach einer Stunde ertönt der Alarm/Summer. Dies bedeutet, dass die Temperatur im Inneren zu hoch ist. Wenn die Innentemperatur unter 0°C liegt, erscheint auf dem Anzeigefeld die Meldung „LO“ und gleichzeitig ist die Alarm- und Störungsanzeige aktiv.

- **Temperatur-Speicherfunktion**

Bei einem Stromausfall kann der Weintemperierschrank die vorherigen Temperatureinstellungen speichern, und wenn die Stromversorgung wiederhergestellt ist, wird die Temperatur auf die gleiche Temperatur wie zuvor eingestellt.

- **Alarm Tür offen**

Wenn Sie vergessen haben, die Tür zu schließen, oder die Tür nicht vollständig geschlossen ist, ertönt nach 5 Minuten ein akustischer Alarm. Bitte schließen Sie die Tür vollständig und vermeiden Sie, dass die Kälteenergie verloren geht.

- **Innenlicht**

Um den Energieverbrauch zu senken, schaltet sich die LED-Beleuchtung in diesem Weinschrank automatisch aus, wenn die Tür geschlossen wird. Wenn Sie möchten, dass das LED-Licht anbleibt, ist dies möglich. Halten Sie dazu die Taste „LIGHT“ (LICHT) 5 Sekunden lang gedrückt, auf dem Display wird „LP“ angezeigt. Nach 4 Sekunden kehrt die Anzeige in den Normalzustand zurück und das Licht bleibt so lange an, bis es manuell ausgeschaltet wird.

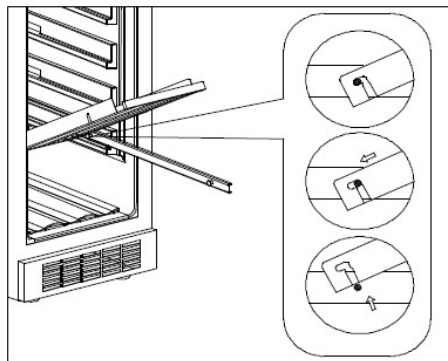
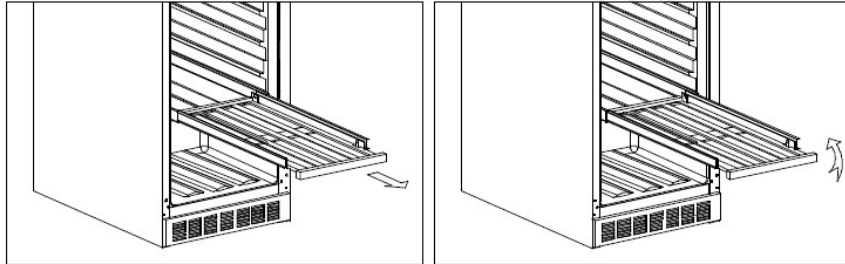
Wenn Sie zurückschalten möchten, um Energie zu sparen (empfohlen), halten Sie die Taste „LIGHT“ 5 Sekunden lang gedrückt, auf dem Display erscheint „LF“. Nach 4 Sekunden kehrt die Anzeige in den Normalzustand zurück, das Licht leuchtet, wenn die Tür geöffnet ist, und das Licht erlischt, wenn die Tür geschlossen ist.

### ➤ **Anleitung Einlegeböden**

Decken Sie die Einlegeböden nicht mit Alufolie oder anderen Materialien ab, da dies den Luftstrom im Schrank behindert und die Innentemperatur des Schrank beeinträchtigen kann.

So entfernen Sie die Einlegeböden:

1. Fahren Sie den Einlegeboden vollständig aus.
2. Heben Sie die Vorderseite des Einlegebodens an.
3. Halten Sie die Einlegebodenschiene fest und drücken Sie den Einlegeboden nach innen und dann nach oben, um ihn von den hinteren Dämpfern zu lösen.



### ➤ **HINWEIS:**

- Nach dem Ziehen des Gerätesteckers, einer Stromunterbrechung oder der Abschaltung müssen Sie vor dem erneuten Einschalten 3 bis 5 Minuten warten. Wenn diese Verzögerungszeit nicht eingehalten wird, schaltet sich der Wein-/Getränkeshrank ggf. nicht ein.
- Wenn Sie den Weinkühler/Getränkeshrank zum ersten Mal in Betrieb nehmen oder den Weinkühler/Getränkeshrank nach längerem Stillstand wieder einschalten, kann es zu einer Abweichung von einigen Grad zwischen der von Ihnen gewählten und der auf der LED-Anzeige angezeigten Temperatur kommen. Das ist normal und hängt mit der Länge der Aktivierungszeit zusammen. Sobald der Wein-/Getränkeshrank ein paar Stunden in Betrieb ist, ist alles wieder normal.

## ➤ So ändern Sie den Türanschlag

Der Türanschlag dieses Geräts kann geändert werden, es wird aber mit rechts montierter Tür geliefert. Das linke Scharnier wird mit dem Gerät geliefert (im Lieferkarton), falls Sie den Türanschlag ändern möchten.

**1. Unteres Scharnier (rechts)**

**4. Tür**

**7. Scharnier oben (links)**

**10. Begrenzung der Türöffnung**

**2. Schrauben**

**5. Oberes Scharnier (rechts)**

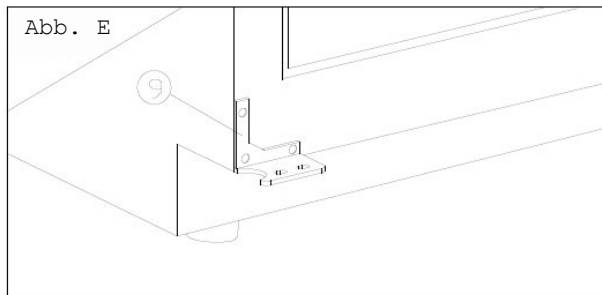
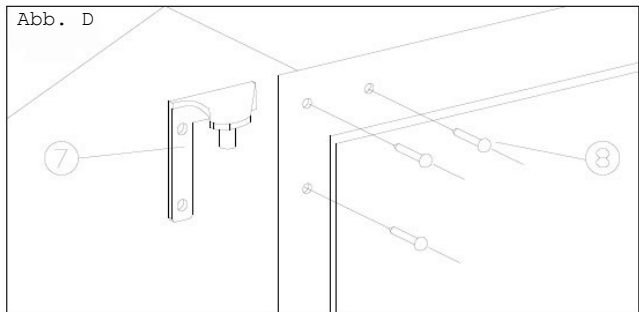
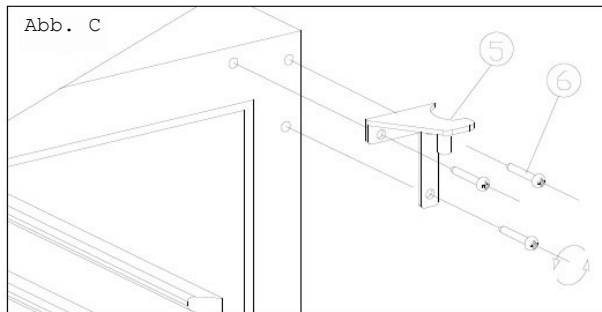
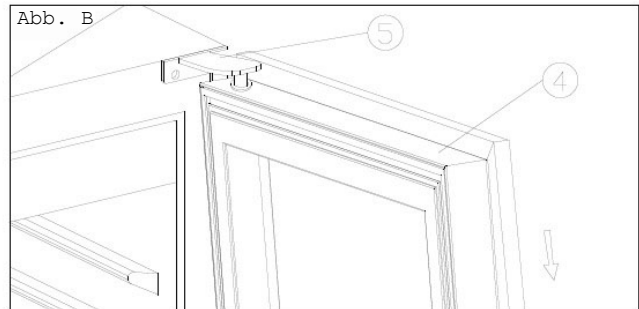
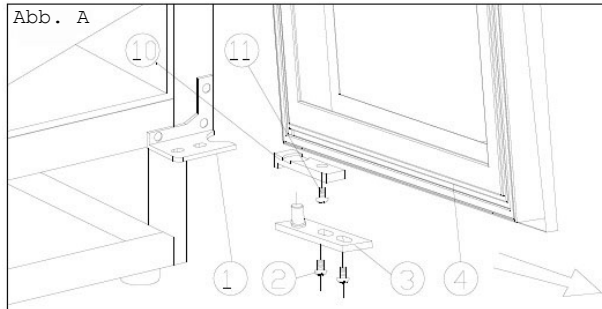
**8. Öffnungsabdeckung**

**11. Schraube**

**3. Achse der Tür**

**6. Scharnier-Schrauben**

**9. Unteres Scharnier (links)**

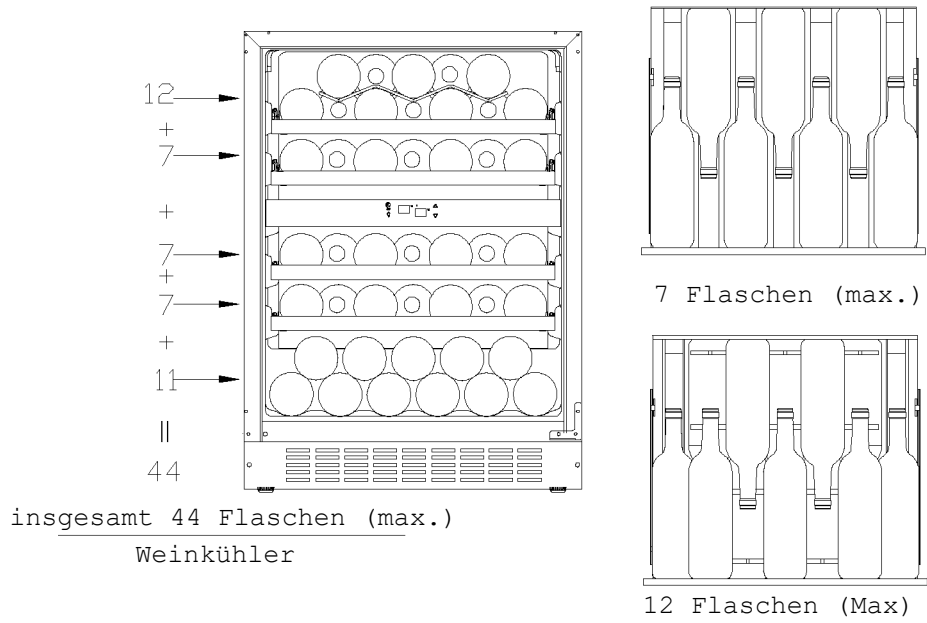


1. Öffnen Sie die Tür in einem 90-Grad-Winkel, entfernen Sie die 2 Schrauben (2) von der unteren Türachse (3), nehmen Sie die Tür (4) ab und entfernen Sie die Achsenplatte (3) von der Tür (Abb. A).
2. Lösen Sie die Schraube (11), die sich unterhalb des Türrahmens und der Begrenzungsvorrichtung (10) befindet, und bringen Sie sie an der linken Seite des Türrahmens wieder an. (Abb. A/B)
3. Lösen Sie die 3 Scharnierschrauben (6) aus dem oberen Scharnier (rechts) (5) und entfernen Sie es. (Abb. C)
4. Entfernen Sie den Ziernagel (8) von der linken Oberseite des Schanks und montieren Sie das obere Ersatzscharnier (links) (7) mit 3 Schrauben an der linken Oberseite des Schanks. (Abb. D)
5. Bauen Sie das untere Ersatzscharnier nach dem oben beschriebenen Verfahren links ein (9). (Abb. E)
6. Bauen Sie die Tür ein und richten Sie sie aus.
7. Setzen Sie die Kunststoffkappen zur Abdeckung der Löcher ein (8).

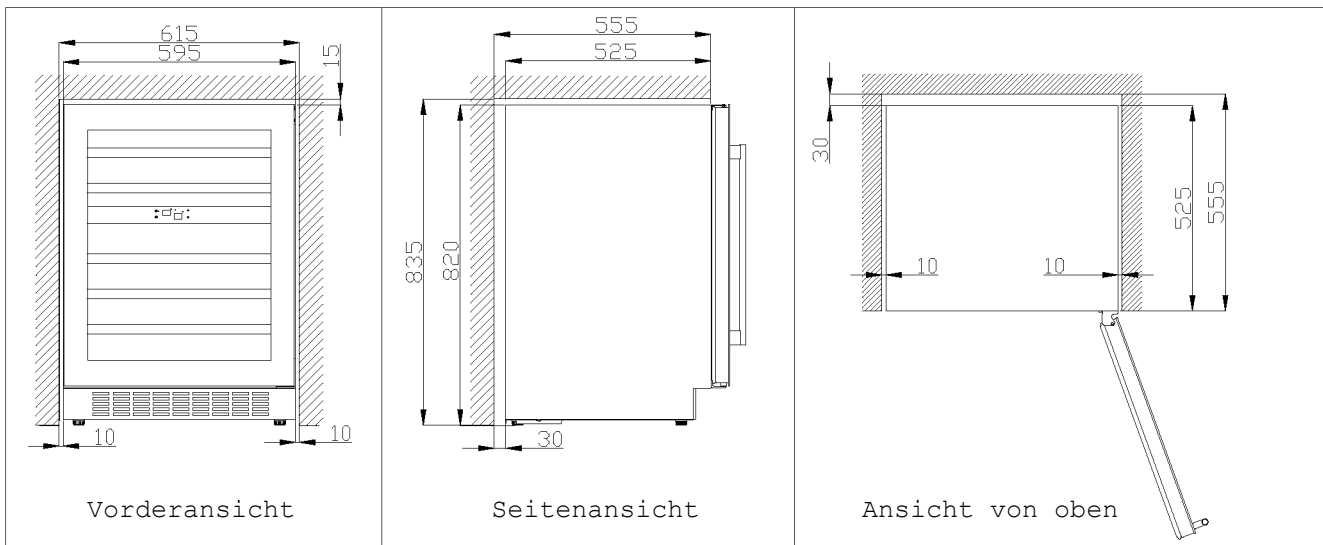
➤ **Beladungsdiagramm**

Je nach der tatsächlichen Konfiguration Ihres Produkts informieren Sie sich über das entsprechende Beladungsdiagramm.

Insgesamt: 44 Flaschen (Max)



➤ **Einbauspezifikationen für Einbauzwecke**



## PFLEGE UND REINIGUNG

### ➤ Reinigung Ihres Wein-/Getränk Kühlschanks

- Schalten Sie das Gerät aus, ziehen Sie den Netzstecker und entfernen Sie alle Gegenstände, einschließlich der Einlegeböden und des Regals.
- Waschen Sie den Innenraum mit warmem Wasser und einer Natronlösung aus. Das Mischungsverhältnis ist circa 2 Esslöffel Natron und ein Viertel Wasser.
- Reinigen Sie die Regalflächen mit einem milden Reinigungsmittel.
- Wringen Sie überschüssiges Wasser aus dem Schwamm oder Tuch aus, wenn Sie die Flächen um die Regler oder andere elektrischen Teile reinigen.
- Waschen Sie die Außenfläche des Gerätes mit warmem Wasser und einer Natronlösung ab. Wischen Sie die Mischung gut ab und trocknen Sie die Flächen mit einem sauberen, weichen Tuch ab.

### ➤ Stromausfall

- Die meisten Stromausfälle dauern nur wenige Stunden und sollten sich somit nicht auf die Temperatur Ihres Gerätes auswirken, sofern Sie die Tür möglichst wenig öffnen. Wenn der Strom jedoch über einen längeren Zeit ausfallen sollte, dann müssen Sie den Inhalt entsprechend schützen.

### ➤ Urlaubszeit

- **Kurze Abwesenheit:** Bei weniger als drei Wochen Abwesenheit können Sie den Kühlschrank in Betrieb lassen.
- **Lange Abwesenheit:** Wenn das Gerät mehrere Monate lang nicht benutzt wird, nehmen Sie alles heraus und schalten Sie das Gerät aus. Reinigen Sie den Innenraum gründlich und trocknen Sie ihn. Lassen Sie die Tür leicht offen, um zu verhindern, dass sich Schimmel oder schlechte Gerüche bilden: blockieren Sie dazu ggf. die Tür.

### ➤ Umzug Ihres Weintemperierschranks

- Alles herausnehmen.
- Befestigen Sie alle losen Teile (Regalböden) im Inneren des Geräts mit Klebeband.
- Drehen Sie den verstellbaren Fuß ganz ein, um Beschädigungen zu vermeiden.
- Kleben Sie die Tür zu.
- Achten Sie darauf, das Gerät immer aufrecht zu transportieren. Schützen Sie auch die Außenseite des Geräts mit einer Decke oder Ähnlichem.

### ➤ Energiespartipps

- Der Weintemperierschrank sollte im kühlestem Bereich des Raumes stehen, entfernt von Heizgeräten und -rohren und nicht bei direkter Sonneneinstrahlung.



## PROBLEME MIT IHREM WEIN-/GETRÄNKEKÜHLSCHRANK?


Sie können viele gängige Probleme mit Wein-/Getränkekühlschränken leicht selber lösen und so die Kosten für einen möglichen Serviceeinsatz sparen. Versuchen Sie, ob Sie das Problem mithilfe der nachstehenden Empfehlungen selbst lösen können, bevor Sie einen Techniker rufen.

### LEITFADEN ZUR FEHLERBEHEBUNG

STÖRUNG	MÖGLICHE URSACHE
Der Wein-/Getränkekühlschrank funktioniert nicht.	Nicht eingesteckt. Das Gerät ist ausgeschaltet. Schutzschalter ausgelöst oder durchgebrannte Sicherung.
Der Wein-/Getränkekühlschrank ist nicht kalt genug.	Überprüfen Sie die Einstellung der Temperaturregelung. Die äußere Umgebung kann eine höhere Einstellung erfordern. Tür zu häufig geöffnet. Tür nicht richtig geschlossen. Türdichtung dichtet nicht richtig.
Häufiges Ein- und Ausschalten.	Die Raumtemperatur ist höher als gewöhnlich. Es wurden viele neue Flaschen in den Wein-/Getränkekühlschrank gelegt. Tür zu häufig geöffnet. Tür nicht richtig geschlossen. Temperaturregler nicht richtig eingestellt. Türdichtung dichtet nicht richtig.
Das Licht funktioniert nicht.	Nicht eingesteckt. Schutzschalter ausgelöst oder durchgebrannte Sicherung. Die Glühbirne ist durchgebrannt. Die Lichttaste ist „OFF“ (AUS).
Vibrationen.	Vergewissern Sie sich, dass der Wein-/Getränkekühlschrank in der Waage steht.
Der Wein-/Getränkekühlschrank scheint zu viel Lärm zu machen.	Ein ratterndes Geräusch kann auf dem Kühlmittelfluss zurückzuführen sein, und das ist normal. Am Ende jedes Zyklus hören Sie ggf. gurgelnde Geräusche, die auf den Kühlmittelfluss im Gerät zurückzuführen sind. Die Innenwände ziehen sich zusammen und dehnen sich aus, das kann knallende oder reißende Geräusche nach sich ziehen. Der Wein-/Getränkekühlschrank ist nicht in der Waage.
Die Tür schließt nicht richtig.	Der Wein-/Getränkekühlschrank ist nicht in der Waage. Die Tür wurde versetzt, jedoch nicht richtig montiert. Die Dichtung ist verschmutzt. Die Regale sind nicht richtig positioniert.

#### Vor der Entsorgung des Geräts.

1. Ziehen Sie den Netzstecker aus der Netzsteckdose.
2. Schneiden Sie das Hauptkabel ab und entsorgen Sie es.

	Korrekte Entsorgung dieses Produkts
	<p>Dieses Symbol auf dem Produkt oder auf der Verpackung weist darauf hin, dass es nicht als Hausmüll behandelt werden darf. Stattdessen muss es bei der entsprechenden Sammelstelle für das Recycling von Elektro- und Elektronikgeräten abgegeben werden. Bitte stellen Sie sicher, dass das Produkt nach seiner Außerbetriebnahme ordnungsgemäß entsorgt wird. Damit tragen Sie dazu bei, gesundheits- und umweltschädigende Auswirkungen zu verhindern, die eine nicht korrekte Entsorgung am Ende der Nutzungsdauer zur Folge haben könnte. Für weitere Informationen über das Recycling dieses Produkts wenden Sie sich bitte an Ihre örtlich zuständige Behörde, Ihr Müllabfuhrunternehmen oder an das Geschäft, in dem Sie das Produkt erworben haben.</p>

# **MANUAL DE INSTRUCCIONES PARA CÁMARAS DE VINO**

**N.º DE MODELO  
JG45B**

**Gracias por comprar nuestra cámara de vino, esperamos que nuestro producto avanzado brinde a sus vinos un sabor diferente. Antes de usarla, lea y siga todas las directrices de seguridad y las instrucciones de uso.**

## ADVERTENCIA:

- Para evitar dañar la junta de la puerta, asegúrese de tener la puerta totalmente abierta cuando se tira de las baldas hacia afuera.
- El electrodoméstico debe colocarse de forma que el enchufe sea accesible. Suelte el cable eléctrico. Desplace el electrodoméstico a su ubicación final. No mueva el electrodoméstico si tiene botellas dentro. Podría deformar la estructura. La vinoteca debe instalarse en un lugar adecuado de modo que se evite tocar el compresor con la mano. En presencia de niños, mantenga el electrodoméstico bajo su control para evitar que jueguen con él.
- Si el cable de alimentación está dañado, deje su sustitución en manos del fabricante, su servicio técnico o cualquier otro profesional cualificado para evitar riesgos.

Este electrodoméstico puede ser utilizado por niños a partir de 8 años y por personas con capacidades físicas, sensoriales o mentales reducidas, o sin experiencia o conocimientos previos, siempre y cuando lo hagan bajo supervisión y no jueguen con el aparato. Las operaciones de limpieza y mantenimiento no deben ser realizadas por niños sin supervisión.

Se prohíbe que los niños de entre 3 y 8 años llenen y vacíen esta cámara de vino.

Para evitar que el vino pueda contaminarse, cíñase a las siguientes instrucciones:

- Dejar la puerta abierta durante largos períodos de tiempo puede causar un aumento significativo de la temperatura en los compartimentos del electrodoméstico.
- Limpie regularmente las superficies que puedan entrar en contacto con las botellas y los sistemas de drenaje accesibles.
- Limpie los depósitos de agua si no se han utilizado durante 48 h; enjuague el circuito del agua conectado a un suministro de agua si no se ha utilizado agua durante 5 días.
- Si deja el electrodoméstico vacío durante largos períodos, apáguelo, elimine la escarcha, límpielo, séquelo y deje la puerta abierta para evitar la proliferación de moho en su interior.

- **ADVERTENCIA:** No obstruya las aberturas de ventilación del armazón del electrodoméstico o de la estructura integrada.

- **ADVERTENCIA:** No utilice dispositivos mecánicos ni otros equipos para acelerar el proceso de descongelación, salvo aquellos recomendados por el fabricante.

- **ADVERTENCIA:** No dañe el circuito del refrigerante.

- **ADVERTENCIA:** No use dispositivos eléctricos dentro de los compartimentos para alimentos del electrodoméstico, salvo que sean del tipo recomendado por el fabricante.

No almacene en este electrodoméstico sustancias explosivas, como botes de aerosol con propelente inflamable.

Este electrodoméstico está diseñado para uso doméstico y aplicaciones similares, tales como:

- Cocinas para personal en tiendas, oficinas y otros entornos de trabajo.
- Granjas y el uso por clientes en hoteles, moteles y otros entornos de tipo residencial.
- Entornos tipo pensión.
- Catering y aplicaciones similares no minoristas.
- **ADVERTENCIA:** Para evitar riesgos debidos a la inestabilidad del aparato, este debe fijarse de acuerdo con estas instrucciones.

**POR FAVOR, NO INTENTE CONECTAR O PROLONGAR EL CABLE EN NINGÚN CASO.**

## INSTRUCCIONES DE SEGURIDAD IMPORTANTES

### ⚡ ADVERTENCIA ⚡

Para reducir el riesgo de incendio, descarga eléctrica o lesiones durante el uso del aparato, siga estas precauciones básicas:

- Lea todas las instrucciones antes de usar la cámara de vino.
- **PELIGRO o ADVERTENCIA:** Riesgo de atrapamiento infantil. El riesgo de atrapamiento y asfixia infantil no son problemas del pasado. Los electrodomésticos abandonados o desguazados siguen siendo peligrosos, incluso si «solo se dejan en el garaje unos días».
- **Antes de desechar su vieja cámara de vino:** Retire la puerta. Deje los estantes en su sitio para que los niños no puedan entrar fácilmente.
- Nunca permita que los niños utilicen, jueguen o entren dentro del aparato.
- Nunca limpie las piezas del aparato con líquidos inflamables. Los humos pueden generar un riesgo de incendio o explosión.
- No almacene ni use gasolina ni ningún otro vapor o líquido inflamable en las proximidades de este u otro electrodoméstico. Los humos pueden generar un riesgo de incendio o explosión.
- **Si el refrigerante de estos aparatos es R600a, los artículos inflamables y explosivos no deben colocarse dentro ni cerca de él, para evitar incendios o explosiones.**



**-Guarde estas instrucciones-**

## INSTRUCCIONES DE INSTALACIÓN

### ➤ Antes de usar su cámara de vino

- Retire el embalaje exterior e interior.
- Antes de conectar la cámara de vino a la fuente de alimentación, déjela en posición vertical durante unas 2 horas. Esto reducirá la posibilidad de un mal funcionamiento del sistema de enfriamiento debido a la manipulación durante el transporte.
- Limpie la superficie interior con agua tibia usando un trapo suave.
- Cuando vaya a desechar su aparato, seleccione un sitio de desecho autorizado.

### ➤ Instalación de la cámara de vino

- Este electrodoméstico está diseñado para ser instalado de forma independiente o encastrado (completamente empotrado). (Consulte la etiqueta adhesiva colocada en la parte posterior de este electrodoméstico).
- **Este electrodoméstico está destinado a ser utilizado exclusivamente para el almacenamiento de vino o bebidas.**
- Coloque su cámara de vino sobre un suelo que sea lo suficientemente resistente para soportar su peso cuando esté completamente cargada. Para nivelar la cámara de vino, ajuste la pata de nivelación frontal de la parte inferior.
- Este aparato está utilizando refrigerante inflamable. Así que nunca dañe la tubería de refrigeración durante el transporte. Coloque la cámara de vino lejos de la luz solar directa y de fuentes de calor (cocina, calentador, radiador, etc.). La luz solar directa puede afectar la capa de acrílico y las fuentes de calor pueden aumentar el consumo eléctrico. Las temperaturas ambiente extremadamente frías también pueden causar que la unidad no funcione correctamente.
- Evite ubicar la unidad en áreas húmedas.
- Enchufe la cámara de vino a una toma de corriente de pared exclusiva, debidamente instalada y conectada a tierra. No corte ni retire bajo ninguna circunstancia la tercera clavija (de tierra) del cable de alimentación. Cualquier pregunta relacionada con la alimentación y/o la conexión a tierra debe dirigirse a un electricista certificado o a un centro de servicio de Productos autorizado.

### ➤ Atención

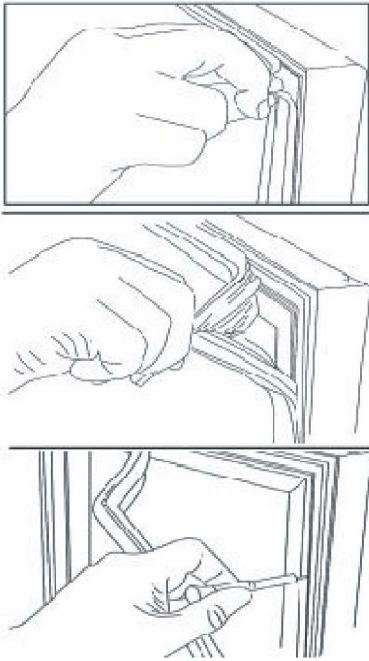
- Almacene el vino en botellas selladas.
- No sobrecargue el electrodoméstico.
- No abra la puerta a menos que sea necesario.
- No cubra los estantes con papel de aluminio o cualquier otro material que pueda obstruir la circulación de aire.
- En caso de que la cámara de vino se almacene sin uso durante largos períodos de tiempo, se recomienda, después de una cuidadosa limpieza, dejar la puerta entreabierta para permitir que el aire circule dentro de la cámara y evitar posibles formaciones de condensación, moho o malos olores.

### ➤ Límites de temperatura ambiente de la habitación

Este aparato está diseñado para funcionar a la temperatura ambiente especificada por su clase de temperatura, marcada en la placa de características.

	Símbolo	Rango de temperaturas ambiente
Templado amplio	SN	De +50 °F a +90 °F (de +10 °C a +32 °C)
Templado	N	De +60 °F a +90 °F (de +16 °C a +32 °C)
Subtropical	ST	De +60 °F a +100 °F (de +16 °C a +38 °C)
Tropical	T	De +60 °F a +110 °F (de +16 °C a +43 °C)

➤ **Instalación del tirador**



1. Abra la puerta y retire cuidadosamente la junta de la puerta en el área donde debe instalarse el tirador.
2. Verá dos tornillos dentro de la puerta.
3. Inserte la cubierta del tornillo según la dirección que indica la flecha (solo para puerta de cristal y puerta de acero inoxidable). Vea la Fig 1.
4. Introduzca el tornillo superior haciendo 3 o 4 círculos y, a continuación, introduzca el tornillo inferior haciendo 3 o 4 círculos para alinear el tirador.
5. Alternativamente, apriete el tornillo superior e inferior hasta que el tirador quede al ras contra el marco de la puerta.
6. Vuelva a colocar cuidadosamente la junta de la puerta en su posición original.

- ① Tornillo
- ② Cubiertas de tornillo (incluidas en la bolsa del manual)
- ③ Tirador
- ④ Puerta

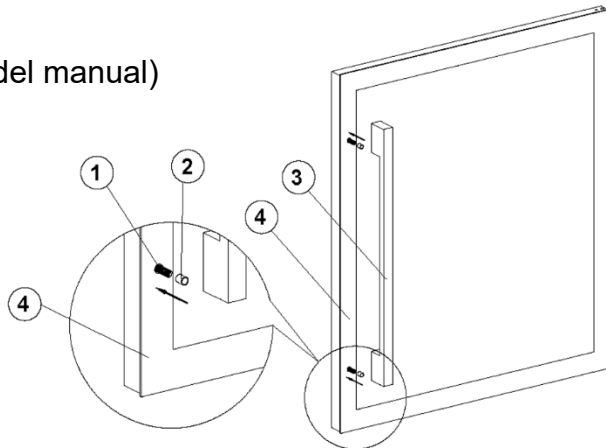


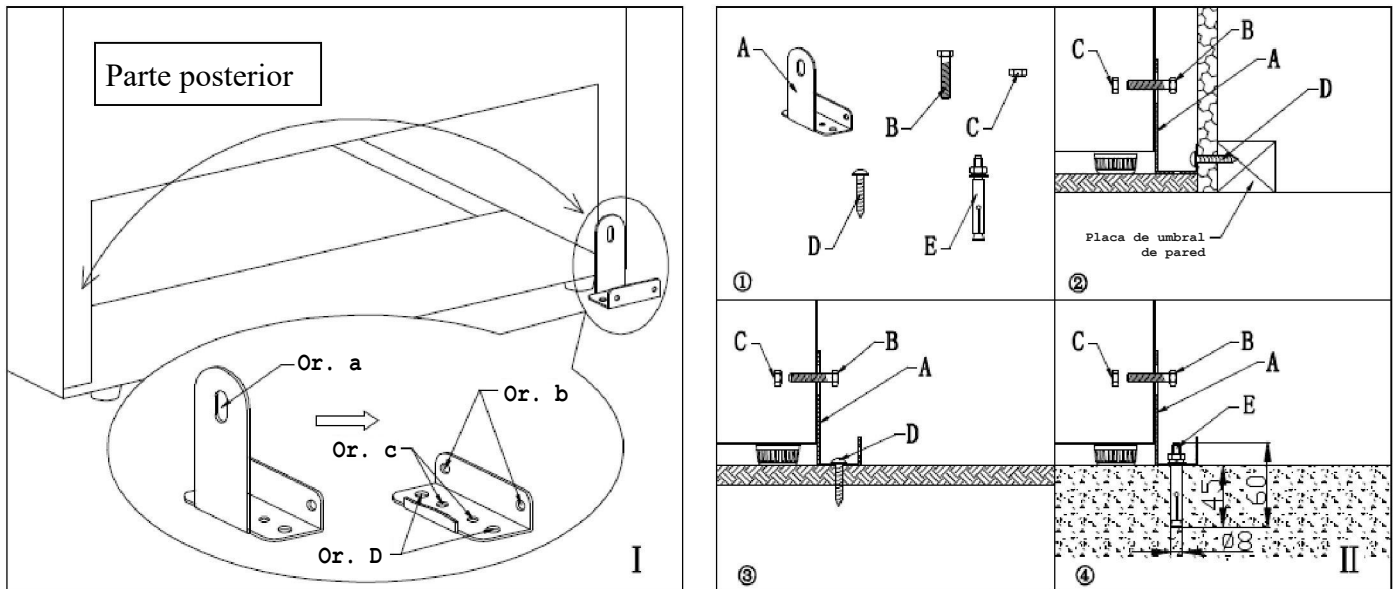
Fig. 1

**PRECAUCIÓN:**

No apriete demasiado los tornillos ya que esto puede causar daños en el tirador o en la puerta.

## ➤ INSTRUCCIONES DE INSTALACIÓN DEL SOPORTE ANTIVUELCO

ADVERTENCIA: Por favor, utilice el soporte antivuelco y siga las instrucciones siguientes en caso de MONTAJE INDEPENDIENTE para evitar peligros por VUELCO.



### 1. Lista de piezas del soporte antivuelco: (Fig II ①)

- A: Soporte antivuelco (1 ud.)
- B: Tornillo hexagonal (1 ud.)
- C: Tuerca hexagonal (1 ud.)
- D: Tornillo autoperforante (2 uds.)
- E: Tornillo de expansión (1 ud.)

Fije el soporte con los tornillos incluidos.

### 2. Instrucciones de sujeción de montaje del soporte antivuelco: (Fig I)

- Or. A: Orificio de montaje y fijación para unidad
- Or. B: Orificios de montaje y fijación para pared
- Or. C: Orificios de montaje y fijación para suelo de madera
- Or. D: Orificios de montaje y fijación para suelo de hormigón

### 3. Pasos de instalación del soporte antivuelco:

El soporte se puede instalar en la parte inferior izquierda o inferior derecha de la parte posterior de la unidad. Puede elegir qué lado es mejor para usted.

**IMPORTANTE:** Determine la ubicación final del electrodoméstico antes de intentar instalar el soporte. Debe elegir uno de los siguientes métodos de instalación.

#### 1. Instalación en PARED: (Fig II ②)

Después de confirmar la ubicación de la instalación, coloque el soporte en el suelo con el Or. B contra la pared, utilice D: Tornillo autoperforante (2 uds.), alinee el Or. B y fije el soporte en la pared.

Mueva la unidad para alinearla con el Or. A, utilice B: Tornillo hexagonal (1 ud.) y C: Tuerca hexagonal (1 ud.) para fijar.

#### NOTA:

Los tornillos DEBEN introducirse en una placa de umbral de madera. Si la pared contiene tacos metálicos o materiales similares, debe emplearse el método de instalación en el suelo.

#### 2. Instalación en SUELO DE MADERA: (Fig II ③)

Después de confirmar la ubicación de la instalación, coloque el soporte sobre el suelo de madera, utilice D: Tornillo autoperforante (2 uds.), alinee el Or. C y fije el soporte en el suelo de madera.

Mueva la unidad para alinearla con el Or. A, utilice B: Tornillo hexagonal (1 ud.) y C: Tuerca hexagonal (1 ud.) para fijar.

### 3. Instalación en SUELO DE HORMIGÓN: (Fig II ④)

Después de confirmar la ubicación de la instalación, elija cualquier Or. D para fijar el soporte en el suelo de hormigón.

Con una broca para hormigón, taladre un orificio piloto de  $\varnothing 8$  mm a una profundidad de 45~55 mm. Utilice E: Introduzca el tornillo de expansión (1 pieza) en el hormigón, saque la tuerca, la arandela elástica y la arandela. Alinee el Or. D a E: Tornillo de expansión (1 ud.) y vuelva a colocar la tuerca, la arandela elástica y la arandela para fijar en el suelo de hormigón.

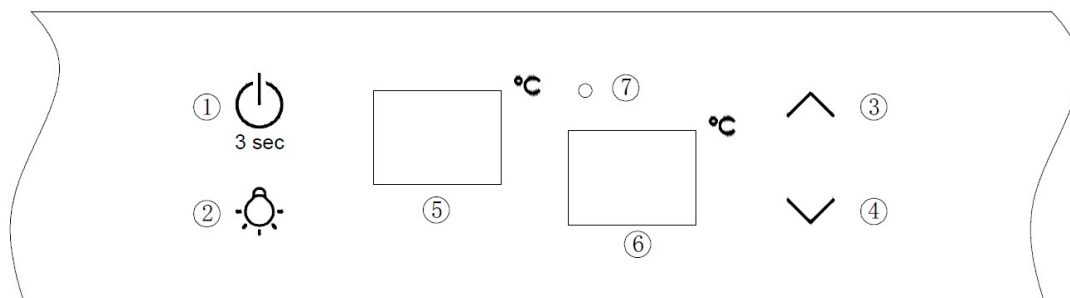
Mueva la unidad para alinearla con el Or. A, utilice B: Tornillo hexagonal (1 ud.) y C: Tuerca hexagonal (1 ud.) para fijar.

#### ATENCIÓN:

Compruebe el soporte: después de instalar el soporte, intente usar la intensidad adecuada para inclinar la unidad. Si la unidad no se inclina, significa que el soporte se ha montado de forma segura; si se inclina, DEBE reinstalarse siguiendo estas instrucciones.

## FUNCIONAMIENTO DE SU CÁMARA DE VINO/BEBIDAS Y AJUSTE DEL CONTROL DE TEMPERATURA

### ➤ Instrucciones del sistema de control



- ① Botón “”  
Para encender/apagar el electrodoméstico (presione este botón durante aproximadamente 3 segundos).
- ② Botón “”  
Para encender/apagar la luz del interior.
- ③ Botón “”  
Para ajustar la temperatura de la cámara superior.
- ④ Botón “”  
Para ajustar la temperatura de la cámara inferior.
- ⑤ Ventana de visualización LED  
Para ajustar la temperatura de la cámara superior.
- ⑥ Ventana de visualización LED  
Para ajustar la temperatura de la cámara inferior.
- ⑦ Piloto luminoso  
Pantalla de funcionamiento del compresor.



### ➤ Ajuste del control de temperatura

- Al pulsar el botón “  $\wedge$  ” o “  $\vee$  ”, el sistema entrará automáticamente en el modo de configuración del compartimento superior o inferior. El LED parpadeará y mostrará el ajuste de temperatura.

Pulse una vez el botón, la temperatura disminuirá o aumentará 1 °C. Al exceder el valor mínimo que se puede establecer, saltará al valor de temperatura ajustable más alto automáticamente. Después de pulsar el botón durante 5 segundos, la figura LED dejará de parpadear y luego volverá a mostrar la temperatura del compartimento superior o inferior.

- Una vez desenchufada la unidad, el sistema volverá a la temperatura aceptada, que se ajusta de fábrica. La temperatura aceptada es la siguiente:

Compartimento superior: 6 °C

Compartimento inferior: 12 °C

- Si desea mostrar todos los ajustes de temperatura interior, presione el botón "Ajuste superior" o "Ajuste inferior", el LED parpadeará y mostrará el ajuste de temperatura. Después de pulsar el botón durante 5 segundos, la figura LED dejará de parpadear y luego volverá a mostrar la temperatura real.

**Compartimento superior:** El ajuste de temperatura se puede ajustar de 5 °C a 10 °C.

**Compartimento inferior:** El ajuste de temperatura se puede ajustar de 10 °C a 18 °C.

### ➤ Alarma de temperatura

Si la temperatura interior es superior a 23 °C, se mostrará "HI" en el panel de visualización, y después de una hora sonará la alarma. Esto indica que la temperatura del interior es demasiado alta. Si la temperatura interior es inferior a 0 °C, se mostrará "LO" en el panel de visualización y, al mismo tiempo, se activará la alarma y el indicador de mal funcionamiento.

### ➤ Función de recuerdo de la temperatura

En el caso de una interrupción de energía, la cámara de vino puede recordar los ajustes de temperatura anteriores, y cuando se recupera la energía, la temperatura de la cámara volverá a la misma temperatura de ajuste que tenía cuando se apagó.

### ➤ Alarma de puerta abierta

Si se olvida de cerrar la puerta o la puerta no está completamente cerrada, la alarma sonará después de 5 minutos. Cierre la puerta completamente y evite la pérdida de frío.

### ➤ Luz del interior

Con el fin de reducir el consumo de energía, la luz LED de la cámara de vino se apagará automáticamente al cerrar la puerta. Si prefiere que la luz LED permanezca encendida continuamente, es posible hacerlo. Mantenga presionado el botón "LUZ" durante 5 segundos, la pantalla mostrará "LP". Después de 4 segundos, la pantalla vuelve a la normalidad y la luz permanecerá encendida hasta que se apague manualmente.

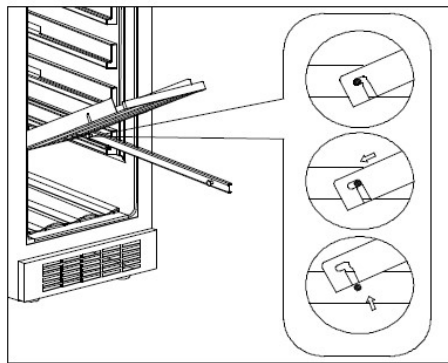
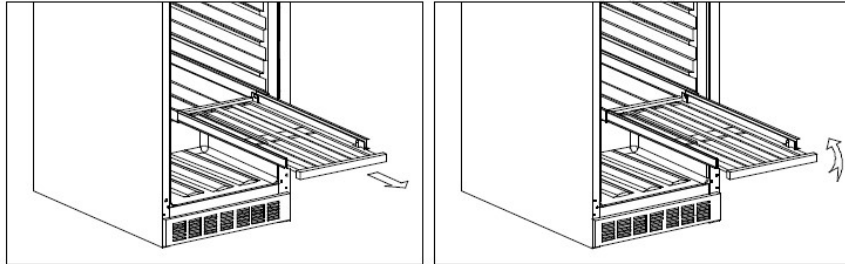
Si desea volver atrás y ahorrar energía (recomendado), mantenga presionado el botón "LUZ" durante 5 segundos, la pantalla mostrará "LF". Después de 4 segundos, la pantalla volverá a la normalidad, la luz se encenderá cuando la puerta se abra y se apagará cuando la puerta se cierre.

➤ **Instrucciones para los estantes**

No cubra los estantes con papel de aluminio o cualquier otro material, ya que esto impedirá la circulación del aire en el interior del electrodoméstico y puede afectar negativamente a la temperatura interior.

Para retirar los estantes:

1. Extraiga completamente el estante.
2. Levante la parte delantera del estante.
3. Sosteniendo el riel del estante, empuje el estante hacia adentro y luego hacia arriba para liberarlo de los amortiguadores traseros.



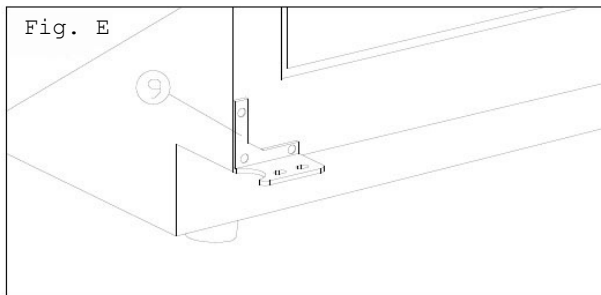
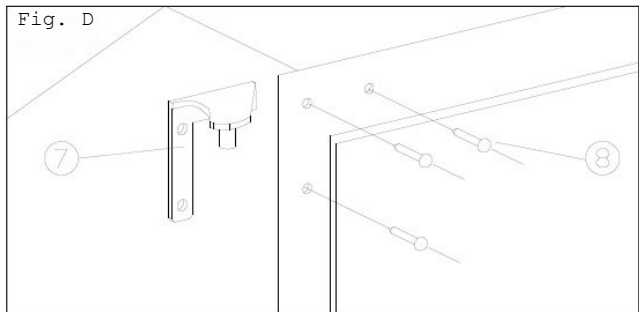
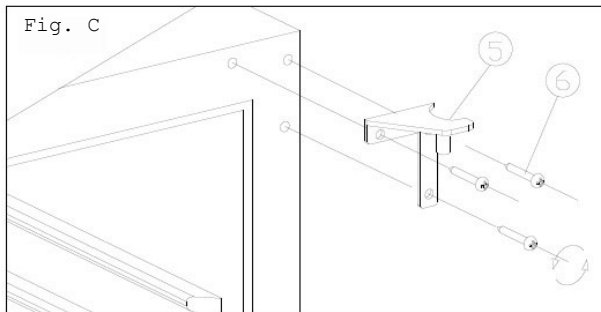
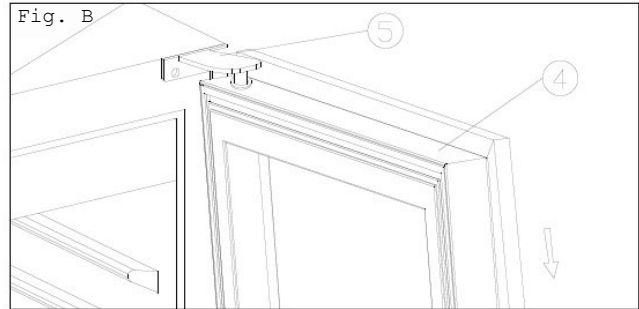
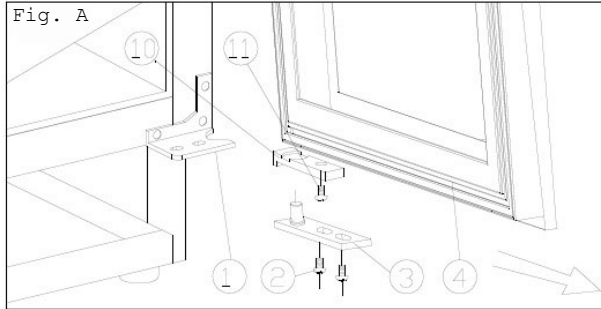
➤ **NOTA:**

- Si la unidad está desconectada, sin alimentación o está apagada, debe esperar de 3 a 5 minutos antes de reiniciarla. Si intenta reiniciarla antes de este tiempo, la cámara de vino/bebidas no arrancará.
- Cuando utilice la cámara de vino/bebidas por primera vez o reinicie la cámara de vino/bebidas después de haber estado apagada durante mucho tiempo, podría haber una variación de algunos grados entre la temperatura que seleccione y la indicada en el lector LED. Esto es normal y se debe a la duración del tiempo de activación. Después de algunas horas de funcionamiento de la cámara de vino/bebidas, todo volverá a la normalidad.

## ➤ Cómo cambiar la apertura de la puerta

Este electrodoméstico tiene puertas reversibles, pero se suministra con una puerta con bisagra derecha. El kit de bisagra izquierda se incluye con la unidad (en la caja), por si desea invertir la bisagra de su unidad.

- |  |                                      |  |
|--|--------------------------------------|--|
| <b>1. Bisagra inferior (derecha)</b>       | <b>2. Tornillos</b>                  | <b>3. Eje de la puerta</b>             |
| <b>4. Puerta</b>                           | <b>5. Bisagra superior (derecha)</b> | <b>6. Tornillos de la bisagra</b>      |
| <b>7. Bisagra superior (izquierda)</b>     | <b>8. Tapa del orificio</b>          | <b>9. Bisagra inferior (izquierda)</b> |
| <b>10. Dispositivo de límite de puerta</b> | <b>11. Tornillo</b>                  |  |

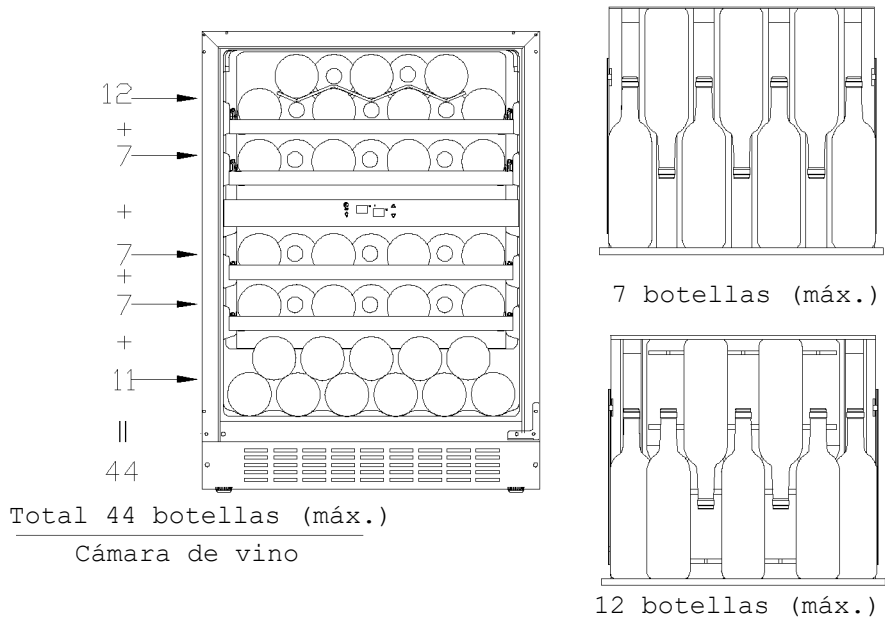


1. Abra la puerta a un ángulo de 90 grados, saque los 2 tornillos (2) del eje inferior de la puerta (3), quite la puerta (4) y retire la placa del eje (3) de la puerta (Fig. A).
2. Desenrosque el tornillo (11) situado debajo del marco de la puerta y el dispositivo de límite (10), y colóquelo en el lado izquierdo del marco de la puerta. (Fig. A/B)
3. Retire los 3 tornillos (6) de la bisagra superior (derecha) (5) y retírela. (Fig. C)
4. Retire el clavo decorativo (8) de la parte superior izquierda e instale la bisagra superior de repuesto (izquierda) (7) en la parte superior izquierda con 3 tornillos. (Fig. D)
5. Después del procedimiento anterior, instale la bisagra inferior de repuesto a la izquierda (9). (Fig. E)
6. Instale y alinee la puerta.
7. Inserte las cubiertas de plástico para cubrir los orificios (8).

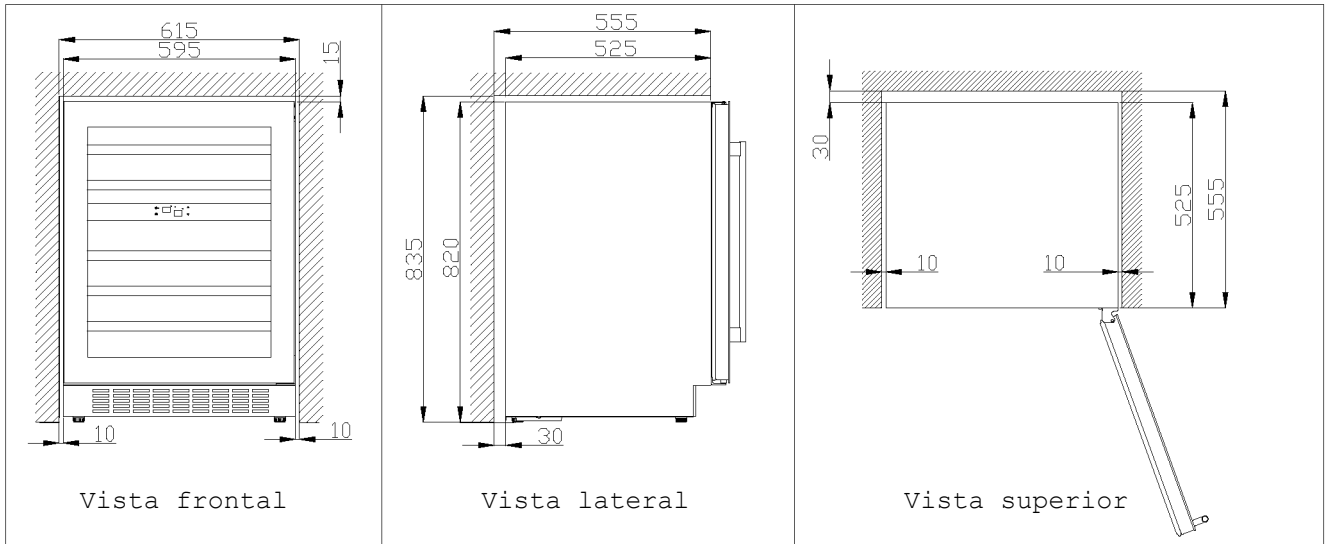
➤ **Diagrama de almacenamiento**

De acuerdo con la configuración real de su producto, compruebe el diagrama de almacenamiento relativo.

Total: 44 botellas (máx.)



➤ **Especificaciones de instalación encastrada**



## CUIDADO Y MANTENIMIENTO

### ➤ Limpieza de la cámara de vino

- Desconecte la alimentación, desenchufe el aparato y retire todos los elementos, incluyendo los estantes.
- Lave las superficies interiores con agua tibia y solución de bicarbonato de sodio. La solución debe ser de aproximadamente 2 cucharadas de bicarbonato de sodio por cada litro de agua.
- Lave los estantes con una solución de detergente suave.
- Exprima el exceso de agua de la esponja o del paño al limpiar el área de los controles o cualquier parte eléctrica.
- Lave el armario exterior con agua tibia y detergente líquido suave. Enjuague bien y seque con un paño suave y limpio.

### ➤ Fallos eléctricos

- La mayoría de las fallas de energía se corrigen en pocas horas y no deberían afectar a la temperatura de su electrodoméstico si minimiza el número de veces que se abre la puerta. Si la energía va a estar apagada por un período de tiempo más largo, tiene que tomar las medidas apropiadas para proteger su contenido.

### ➤ Periodo vacacional

- **Vacaciones cortas:** Deje la cámara de vino en marcha durante aquellas vacaciones con una duración inferior a tres semanas.
- **Vacaciones largas:** Si el electrodoméstico no se va a utilizar durante varios meses, retire todos los elementos y apague el electrodoméstico. Limpie y seque a fondo el interior. Para evitar la formación de malos olores o moho, deje la puerta ligeramente abierta: si fuera necesario, bloquee la puerta en posición abierta.

### ➤ Mover la cámara de vino

- Retire todos los elementos.
- Fije con cinta adhesiva todos los objetos (estantes) sueltos dentro del electrodoméstico.
- Enrosque la pata ajustable hacia la base para evitar daños.
- Fije con cinta adhesiva la puerta cerrada.
- Asegúrese de que la cámara de vino se mantenga en posición vertical durante el transporte. Proteja también el exterior del electrodoméstico con una manta o similar.

### ➤ Consejos de ahorro de energía

- La cámara de vino debe estar situada en la zona más fresca de la habitación, lejos de aparatos que producen calor y fuera de la luz directa del sol.

## ¿PROBLEMAS CON SU CÁMARA DE VINO/BEBIDAS?


Puede resolver fácilmente muchos problemas comunes de la cámara de vino/bebidas, ahorrándole el coste de una posible llamada de servicio. Pruebe las siguientes sugerencias para ver si puede resolver el problema antes de llamar al técnico.

### GUÍA PARA LA RESOLUCIÓN DE PROBLEMAS

PROBLEMA	CAUSA POSIBLE
La cámara de vino/bebidas no funciona.	No está enchufada. Está apagada. El disyuntor se ha desactivado o se ha fundido el fusible.
La cámara de vino/bebidas no enfría lo suficiente.	Compruebe el ajuste del controlador de temperatura. El ambiente exterior puede requerir un ajuste mayor. La puerta se abre con demasiada frecuencia. La puerta no está completamente cerrada. La junta de la puerta no sella adecuadamente.
Se enciende y se apaga frecuentemente.	La temperatura de la habitación es más elevada de lo normal. Se han introducido muchas botellas en la cámara de vino/bebidas. La puerta se abre con demasiada frecuencia. La puerta no está completamente cerrada. El control de temperatura no se ha configurado correctamente. La junta de la puerta no sella adecuadamente.
La luz no funciona.	No está enchufada. El disyuntor se ha desactivado o se ha fundido el fusible. La bombilla se ha quemado. El botón de luz está apagado.
Vibraciones.	Compruebe que la cámara de vino/bebidas esté nivelada.
La cámara de vino/bebidas parece hacer demasiado ruido.	El ruido repetido puede provenir del flujo del refrigerante, en cuyo caso es normal. Cuando finaliza cada ciclo se pueden oír sonidos de gorgoteo provocados por el flujo del refrigerante en su cámara de vino/bebidas. La contracción y expansión de las paredes internas puede causar ruidos de crujidos y estallidos. La cámara de vino/bebidas no está nivelada.
La puerta no cierra bien.	La cámara de vino/bebidas no está nivelada. La puerta se ha revertido y no se ha colocado correctamente. La junta está sucia. Los estantes no están bien colocados.

#### Antes de desechar el aparato.

1. Desconecte el enchufe principal de la toma principal.
2. Corte el cable principal y deséchelo.

Correcta eliminación de este producto	
	<p>Este símbolo presente en el producto o en su embalaje indica que este producto no puede ser tratado como residuo doméstico. Por el contrario, debe llevarse al punto de recogida pertinente para el reciclado de equipos eléctricos y electrónicos. Asegurándose de que este producto se elimina correctamente, ayudará a evitar posibles consecuencias negativas para el medio ambiente y la salud humana, provocadas por una eliminación inadecuada de este producto. Para obtener información más detallada sobre el reciclaje de este producto, póngase en contacto con los profesionales de su ayuntamiento, su servicio de eliminación de residuos domésticos o la tienda donde compró el producto.</p>

# **MODE D'EMPLOI POUR RAFRAÎCHISSEUR DE VIN**

MODÈLE N°  
**JG45B**

**Merci d'avoir acheté notre rafraîchisseur de vin. Nous espérons que notre produit avancé donnera à votre vin un arôme joyeusement différent. Avant toute utilisation, veuillez lire et suivre toutes les règles de sécurité et les instructions sur le fonctionnement.**

## AVERTISSEMENT !

- Pour éviter d'endommager le joint de la porte, assurez-vous d'ouvrir complètement la porte lorsque vous retirez les clayettes du compartiment à rails.
- L'appareil doit être positionné de manière à ce que la fiche soit accessible. Libérez le cordon électrique. Déplacez votre armoire à son emplacement final. Ne déplacez pas votre armoire lorsqu'elle est remplie de bouteilles de vin. Vous risquez de déformer le corps. La cave à vin doit être installée dans un endroit approprié afin d'éviter tout contact du compresseur avec la main. Surveillez les enfants pour éviter qu'ils ne jouent avec l'appareil.
- Si le cordon d'alimentation est endommagé, faites-le remplacer par le fabricant, un agent du service après-vente ou un électricien qualifié pour éviter tout risque d'accident.

Cet appareil peut être utilisé par des enfants âgés de 8 ans et plus et par des personnes ayant des capacités physiques, sensorielles ou mentales réduites, ou qui présentent un manque d'expérience et de connaissances, s'ils ont bénéficié d'une surveillance ou ne jouent pas avec l'appareil. Le nettoyage et l'entretien ne doivent pas être effectués par des enfants sans surveillance.

Les enfants âgés de 3 à 8 ans ne sont pas autorisés à remplir et vider ce rafraîchisseur de vin.

Pour éviter la contamination du vin, veuillez respecter les instructions suivantes :

- L'ouverture prolongée de la porte peut entraîner une augmentation significative de la température dans les compartiments de l'appareil.
- Nettoyez régulièrement les surfaces pouvant se retrouver au contact des bouteilles et les systèmes d'écoulement accessibles.
- Nettoyez les réservoirs d'eau s'ils n'ont pas été utilisés pendant 48 h ; rincez le système d'eau raccordé à l'arrivée d'eau si l'eau n'a pas été tirée pendant 5 jours.
- Si l'appareil de réfrigération reste vide pendant de longues périodes, éteignez-le, dégivrez-le, nettoyez-le, séchez-le et laissez la porte ouverte pour prévenir la formation de moisissure à l'intérieur de l'appareil.

- **AVERTISSEMENT :** Gardez les ouvertures de ventilation, dans le bâti de l'appareil ou dans la structure intégrée, exemptes d'obstruction.

- **AVERTISSEMENT :** N'utilisez pas de dispositifs mécaniques ou d'autres moyens pour accélérer le processus de dégivrage, hormis ceux recommandés par le fabricant.

- **AVERTISSEMENT :** N'endommagez pas le circuit réfrigérant.

- **AVERTISSEMENT :** N'utilisez pas d'appareils électriques à l'intérieur des compartiments de conservation des aliments de l'appareil, sauf s'ils correspondent aux modèles recommandés par le fabricant.

Ne rangez pas des substances explosives comme des bombes d'aérosol contenant un combustible inflammable dans cet appareil.

Cet appareil est conçu pour être utilisé dans une habitation et pour des applications similaires telles que

- coins-cuisine du personnel dans des magasins, bureaux et autres environnements de travail ;
- habitations rurales et par des clients dans des hôtels, motels et autres environnements de type résidentiel ;
- environnements de type chambres d'hôtes ou B&B ;
- restauration et applications similaires non dédiées à la vente au détail.
- **AVERTISSEMENT :** Pour éviter tout danger lié à l'instabilité de l'appareil, il doit être fixé conformément aux instructions.

**VEUILLEZ EN AUCUN CAS ESSAYER DE BRANCHER UNE RALLONGE SUR LE CÂBLE.**



## CONSIGNES DE SÉCURITÉ IMPORTANTES

### ⚡ AVERTISSEMENT ⚡

Pour réduire les risques d'incendie, d'électrocution ou de blessures lors de l'utilisation de votre appareil, suivez ces précautions élémentaires :

- Lisez toutes les instructions avant d'utiliser le rafraîchisseur de vin.
- **DANGER ou AVERTISSEMENT** : Risque de coincement des enfants.  
Un coincement et un étouffement des enfants ne sont pas des risques d'un autre temps. Les appareils mis au rebut ou abandonnés sont encore dangereux... même s'ils « restent uniquement quelques jours au fond du garage ».
- **Avant de jeter votre vieux rafraîchisseur de vin** : Retirez la porte. Laissez les clayettes en place pour que les enfants ne puissent pas facilement grimper à l'intérieur.
- Ne laissez jamais les enfants faire fonctionner l'appareil, jouer avec lui ou glisser à l'intérieur.
- Ne nettoyez jamais les pièces de l'appareil avec des fluides inflammables. Les fumées peuvent créer un risque d'incendie ou une explosion.
- N'entreposez pas ou n'utilisez pas d'essence ou d'autres vapeurs et liquides inflammables à proximité de cet appareil ou de tout autre appareil. Les fumées peuvent créer un risque d'incendie ou une explosion.
- **Si le réfrigérant de ces appareils porte la référence R600a, les articles inflammables et explosifs ne doivent pas être placés dans ou près de l'armoire pour éviter l'incendie ou l'explosion.**



**-Conservez ces instructions-**

## INSTRUCTIONS D'INSTALLATION

### ➤ Avant d'utiliser votre rafraîchisseur de vin

- Retirez l'emballage externe et interne.
- Avant de brancher le rafraîchisseur de vin sur la prise de courant, laissez-le en position verticale pendant environ 2 heures. Cela réduira le risque de mauvais fonctionnement du système de réfrigération imputable à la manutention pendant le transport.
- Nettoyez la surface interne avec de l'eau chaude et un chiffon doux.
- Lors de la mise au rebut de votre appareil, veuillez choisir un site de mise au rebut autorisé.

### ➤ Installation de votre rafraîchisseur de vin

- Cet appareil est conçu pour être installé en pose libre ou en pose encastrée (complètement en retrait) (reportez-vous à l'autocollant situé à l'arrière de cet appareil).
- **Cet appareil est destiné à être utilisé exclusivement pour le stockage du vin ou des boissons.**
- Placez votre rafraîchisseur de vin sur une sol suffisamment robuste pour le supporter lorsqu'il est plein. Pour régler le niveau du rafraîchisseur de vin, ajustez le pied de nivellement avant situé au fond du rafraîchisseur de vin.
- Cet appareil utilise un réfrigérant inflammable. N'endommagez donc jamais la tuyauterie de refroidissement pendant le transport. Placez le rafraîchisseur de vin à l'écart de toute source directe de lumière solaire et de chaleur (poêle, chauffage, radiateur, etc.). La lumière solaire directe peut endommager le revêtement acrylique et les sources de chaleur peuvent augmenter la consommation d'électricité. Des températures ambiantes extrêmement froides peuvent également entraîner un mauvais fonctionnement du réfrigérateur.
- Évitez de placer l'appareil dans un endroit humide.
- Branchez le rafraîchisseur de vin sur une prise simple, correctement installée et mise à la terre. Il est strictement interdit de couper ou d'enlever la troisième broche de mise à la terre du cordon d'alimentation. Posez toutes vos questions sur l'alimentation électrique et/ou la mise à la terre à un électricien certifié ou à un SAV autorisé.

### ➤ Attention

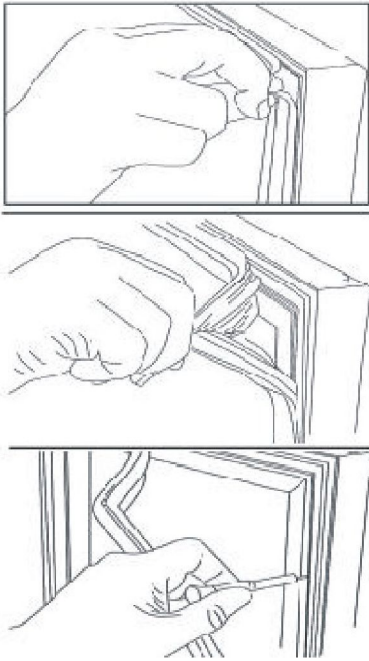
- Conserver le vin dans des bouteilles scellées ;
- Ne pas surcharger l'armoire ;
- Ne pas ouvrir la porte, sauf si nécessaire ;
- Ne pas couvrir les clayettes avec du papier d'aluminium ou tout autre matériau pour étagère qui pourrait empêcher la circulation de l'air ;
- Si le refroidisseur de vin est stocké sans être utilisé pendant de longues périodes, il est conseillé, après un nettoyage soigneux, de laisser la porte entrouverte pour permettre à l'air de circuler à l'intérieur de l'armoire afin d'éviter des formations possibles de condensation, de moisissure ou d'odeurs.

### ➤ Limites de température de la pièce ambiante

Cet appareil est conçu pour fonctionner à des températures ambiantes spécifiées par sa classe de température indiquée sur la plaque signalétique.

Classe	Symbole	Plage de températures ambiantes
Tempérée prolongée	SN	(+50 °F à +90 °F) + 10°C à + 32°C
Tempérée	N	(+60 °F à +90 °F) +16 °C à +32 °C
Subtropicale	ST	(+60 °F à +100 °F) +16 °C à +38 °C
Tropicale	T	(+60 °F à +110 °F) +16 °C à +43 °C

➤ **Installation de la poignée**



1. Ouvrez la porte et retirez soigneusement le joint de la porte uniquement dans la zone où la poignée doit être installée.
2. Vous pourrez voir deux vis à l'intérieur de la porte.
3. Insérez le cache de vis dans le sens de la flèche (uniquement pour la porte pleine en verre et la porte fine en acier inoxydable). voir Fig 1
4. Tournez la vis supérieure de 3 ou 4 tours, puis tournez la vis inférieure de 3 ou 4 tours pour aligner la poignée
5. Ou bien serrez la vis supérieure et inférieure jusqu'à ce que la poignée affleure contre le cadre de la porte.
6. Comprimez soigneusement sur le joint de la porte dans sa position d'origine.

- ① Vis
- ② Caches de vis (fixés sur le sac du manuel)
- ③ Poignée
- ④ Porte

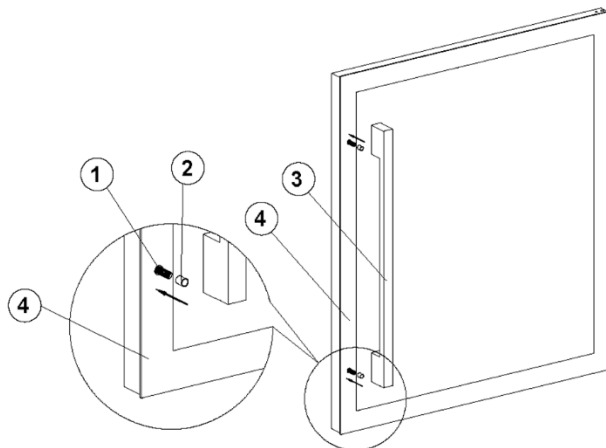


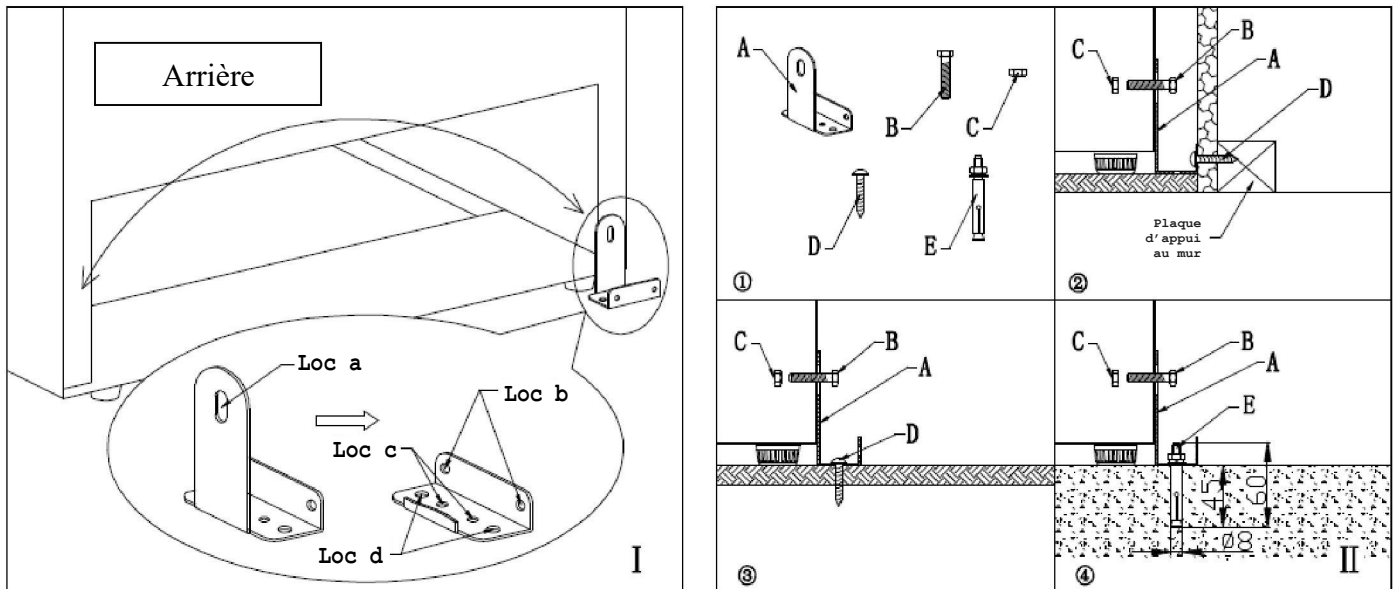
Fig. 1

**ATTENTION :**

Ne pas trop serrer les vis, car cela risquerait d'endommager la poignée ou la porte.

## ➤ INSTRUCTIONS D'INSTALLATION DU SUPPORT ANTI-BASCULEMENT

AVERTISSEMENT : Veuillez utiliser le support anti-basculement et suivez les instructions ci-dessous en cas de POSE LIBRE pour éviter tout BASCULEMENT de l'appareil qui pourrait provoquer un danger !



### 1. Liste des pièces du support anti-basculement : (Fig II ①)

- A: Support anti-basculement (1 pce)
  - B: Boulon hexagonal (1 pce)
  - C: Écrou hexagonal (1 pce)
  - D: Vis autotaraudeuse (2 pces)
  - E: Vis d'expansion (1 pce)
- Fixez le support avec les vis fournies.

### 2. Instructions de fixation du support anti-basculement : (Fig I)

- Loc A : Trou de montage fixe pour l'unité
- Loc B : Supports fixes pour mur massif
- Loc C : Supports fixes pour plancher en bois
- Loc D : Supports fixes pour sol en béton

### 3. Étapes d'installation du support anti-basculement :

Le support peut être installé en bas à gauche OU en bas à droite de l'arrière de l'appareil. Vous pouvez choisir le côté qui est le plus pratique pour vous.

**IMPORTANT :** Déterminez l'emplacement final avant d'essayer d'installer le support. Vous devez choisir l'une des trois méthodes d'installation ci-dessous.

#### 1. Installation MUR PLEIN : (Fig II ②)

Après avoir confirmé l'emplacement de l'installation, placez le support au sol avec Loc B contre le mur plein, utilisez D : Vis autotaraudeuse (2 pièces) Aligned Loc B et fixez le support sur un mur plein.

Déplacez l'appareil pour l'aligner sur le support Loc A, utilisez B : Boulon hexagonal (1 pce) et C : Écrou hexagonal (1 pce) pour fixer.

#### REMARQUE :

Les vis DOIVENT entrer dans une plaque d'appui en bois. Si le mur contient des ossatures métalliques ou des matériaux similaires, il faut procéder à une installation au sol.

#### 2. Installation PLANCHER EN BOIS : (Fig II ③)

Après avoir confirmé l'emplacement de l'installation, placez le support sur le plancher en bois, utilisez D : Vis autotaraudeuse (2 pièces) Aligned Loc C et fixez le support sur le plancher en bois.

Déplacez l'appareil pour l'aligner avec le support Loc A, utilisez B : Boulon hexagonal (1 pce) et C : Écrou hexagonal (1 pce) pour fixer.

### 3. Installation SOL EN BÉTON : (Fig II ④)

Après avoir confirmé l'emplacement installé, choisir n'importe quel trou de Loc D pour fixer le support dans le sol en béton

À l'aide d'un foret pour béton, percez un trou pilote de Ø8 mm et de 45~55 mm de profondeur. Utilisez E : Vis d'expansion (1 pce), entrez dans le béton, retirez l'écrou, la rondelle à ressort et la rondelle. Alignez Loc D sur E : vis d'expansion (1 pce) et remettez en place l'écrou, la rondelle à ressort et la rondelle pour fixer sur le sol en béton.

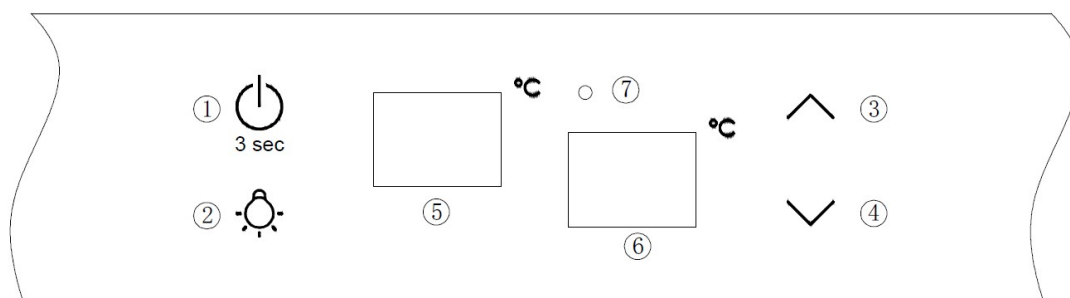
Déplacez l'appareil pour l'aligner avec le support Loc A, utilisez B : Boulon hexagonal (1 pce) et C : Écrou hexagonal (1 pce) pour fixer.



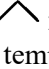

#### ATTENTION :

Vérifiez le support : Après avoir installé le support, essayez d'utiliser l'intensité appropriée pour basculer l'appareil. Si l'appareil ne bascule pas cela signifie que le support est monté solidement, ou qu'il DOIT être réinstallé en suivant ces instructions.

## UTILISATION DE VOTRE RAFRAÎCHISSEUR DE VIN/RAFRAÎCHISSEUR DE BOISSONS ET RÉGLAGE DE LA TEMPÉRATURE

### ➤ Instructions du système de commande



- **Bouton ①** «  »  
Pour commander l'appareil, allumez/éteignez (appuyez sur ces boutons et maintenez-les enfoncés pendant environ 3 secondes).
- **Bouton ②** «  »  
Pour commander l'allumage/arrêt de l'éclairage intérieur.
- **Bouton ③** «  »  
Pour régler la température de la chambre supérieure.
- **Bouton ④** «  »  
Pour régler la température de la chambre inférieure.
- **Afficheur à LED ⑤**  
Pour régler la température de la chambre supérieure.
- **Afficheur à LED ⑥**  
Pour régler la température de la chambre inférieure.
- **Témoin lumineux ⑦**  
Affichage du compresseur sur l'écran de fonctionnement.

### ➤ Réglage des commandes de température

- Lorsque vous appuyez sur le bouton «  $\wedge$  » ou «  $\vee$  », le système passe automatiquement en mode configuration dans le compartiment supérieur ou inférieur. La LED clignote et affiche la température de réglage.

Appuyez une fois sur la touche pour réduire ou augmenter la température de 1 °C. Lorsque vous dépassez la valeur minimale qui peut être définie, elle passera à la valeur de température la plus élevée réglable automatiquement.

Après avoir arrêté d'appuyer sur le bouton pendant 5 secondes, le chiffre à LED s'arrête de clignoter, puis revient à l'affichage de la température du compartiment supérieur ou inférieur.

- Une fois l'appareil débranché, le système revient à la température de validation qui est réglée par l'usine.

Température de validation comme ci-dessous :

Compartiment supérieur : 6° C

Compartiment inférieur : 12° C

- Si vous voulez afficher chaque température de réglage à l'intérieur, veuillez appuyer sur la touche « Définir plus haut » ou « Définir plus bas », la LED clignote et affiche la température de réglage. Après avoir arrêté d'appuyer sur le bouton pendant 5 secondes, le chiffre à LED s'arrête de clignoter, puis revient à l'affichage de la température réelle.

**Compartiment supérieur :** Le réglage de la température peut être ajusté de 5 °C à 10 °C.

**Compartiment inférieur :** Le réglage de la température peut être ajusté de 10 °C à 18 °C.

### ➤ Alarme de température

Si la température à l'intérieur est supérieure à 23 °C, le système affiche « HI » sur l'écran et au bout d'une heure, l'alarme / le signal sonore retentit. Cela indique que la température à l'intérieur est trop élevée. Si la température à l'intérieur est inférieure à 0 °C, le système affiche « LO » sur l'écran et dans le même temps, le voyant d'alarme et le voyant de défaut sont actifs.

### ➤ Fonction de récupération de la température

En cas d'interruption de l'alimentation, le rafraîchisseur de vin peut mémoriser les paramètres de température précédents et lorsque l'alimentation électrique est rétablie, la température du réfrigérateur revient à la même température de réglage qu'au moment de la coupure électrique.

### ➤ Alarme Porte ouverte

Lorsque vous oubliez de fermer la porte ou que la porte n'est pas complètement fermée, le signal sonore retentit au bout de 5 minutes. Veuillez fermer complètement la porte pour éviter toute perte d'énergie froide.

### ➤ Éclairage intérieur

Afin de réduire la consommation d'énergie, l'éclairage à LED de cette armoire à vin s'éteint automatiquement lorsque la porte est fermée. Si vous préférez que l'éclairage à LED reste allumé en continu, c'est possible. Appuyez sur le bouton « LUMIÈRE » en bas pendant 5 secondes, l'écran affiche « LP ». Au bout de 4 secondes, l'écran revient à la normale et l'éclairage reste allumé jusqu'à ce qu'il soit éteint manuellement.

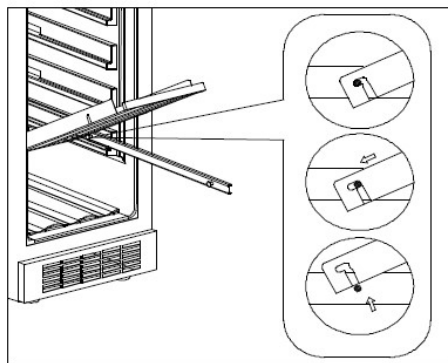
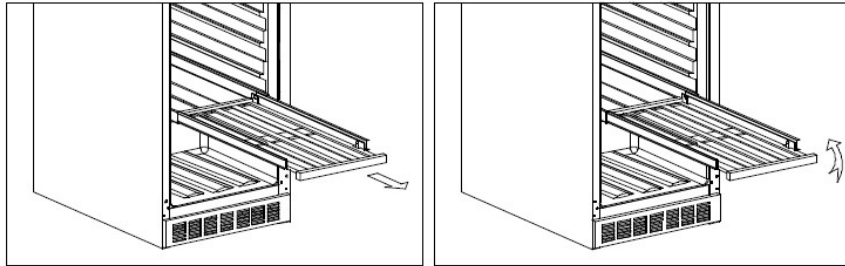
Si vous souhaitez revenir en arrière et réaliser des économies d'énergie (recommandé), appuyez sur le bouton « LUMIÈRE » et maintenez-le enfoncé pendant 5 secondes, l'écran affiche « LF ». Au bout de 4 secondes, l'affichage revient à la normale, l'éclairage s'allume lorsque la porte est ouverte et il s'éteint lorsque la porte est fermée.

➤ **Instructions pour les clayettes**

Ne couvrez pas les clayettes avec du papier d'aluminium ou tout autre matériau, car cela empêche la circulation de l'air à l'intérieur de l'armoire et peut nuire à la température intérieure de l'armoire.

Pour retirer les clayettes :

1. Déployez complètement la clayette.
2. Soulevez l'avant de la clayette.
3. En tenant le portant de la clayette, poussez la clayette puis soulevez-la pour la libérer des amortisseurs arrière.



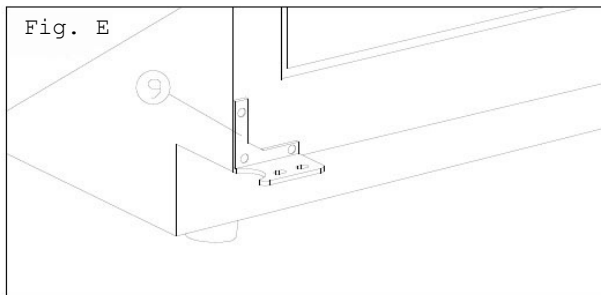
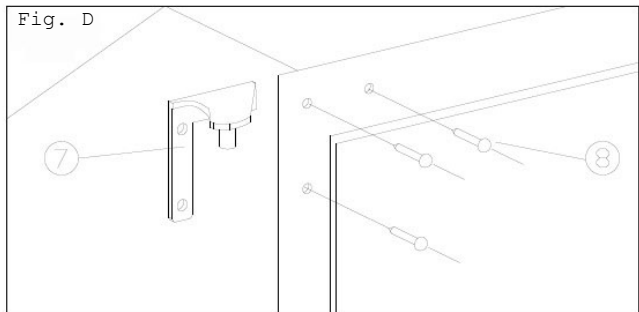
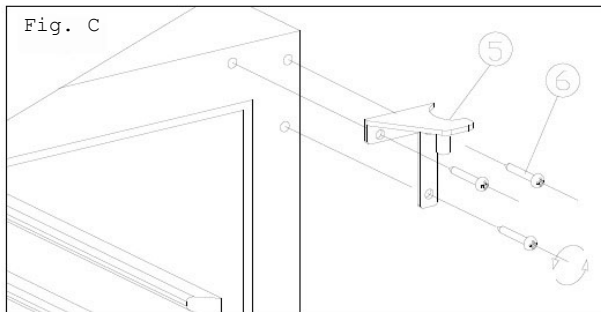
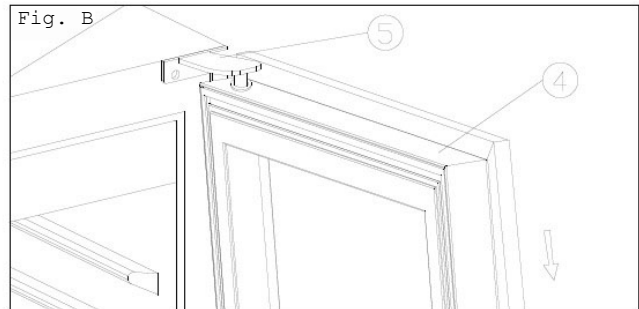
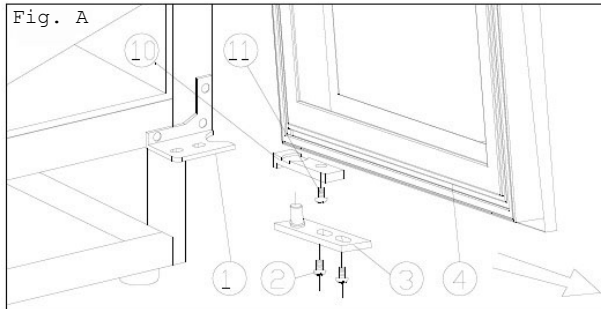
➤ **REMARQUE :**

- Si l'appareil est débranché, n'est plus sous tension ou est éteint, vous devez attendre 3 à 5 minutes avant de le redémarrer. Si vous tentez de redémarrer avant ce délai, le rafraîchisseur de vin/le rafraîchisseur de boissons ne démarre pas.
- Lorsque vous utilisez le rafraîchisseur de vin/le rafraîchisseur de boissons pour la première fois ou que vous redémarrez le rafraîchisseur de vin/le rafraîchisseur de boissons après l'avoir éteint pendant une longue période, il pourrait y avoir quelques degrés d'écart entre la température sélectionnée et celle indiquée sur l'affichage de la LED. C'est normal et cela est dû à la durée du temps d'activation. Une fois que le rafraîchisseur de vin/rafraîchisseur de boissons fonctionne durant quelques heures, tout revient à la normale.

## ➤ Comment changer l'ouverture de la porte

Cet appareil est équipé de portes réversibles mais est livré avec une porte à charnière à droite. Le kit charnière à gauche est livré avec l'unité (dans la boîte), si vous souhaitez inverser la charnière de votre appareil.

- |   |   |   |
|---|---|---|
| <b>1. Charnière inférieure (droite)</b> | <b>2. Vis</b>                           | <b>3. Axe de porte</b>                  |
| <b>4. Porte</b>                         | <b>5. Charnière supérieure (droite)</b> | <b>6. Vis de charnière</b>              |
| <b>7. Charnière supérieure (gauche)</b> | <b>8. Cache-trou</b>                    | <b>9. Charnière inférieure (gauche)</b> |
| <b>10. Dispositif bloc-porte</b>        | <b>11. Vis</b>                          |   |



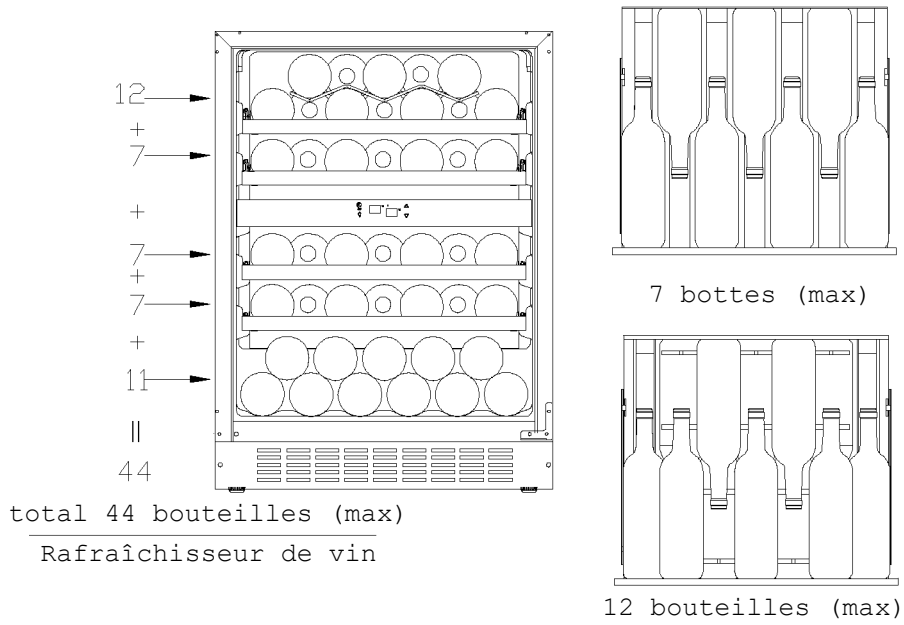
1. Ouvrez la porte jusqu'à un angle de 90 degrés, sortez les 2 vis (2) de l'axe de porte inférieur (3), retirez la porte (4), retirez la plaque d'axe (3) de la porte (Fig. A).
2. Desserrez la vis (11) située sous le cadre de la porte et le dispositif bloc-porte (10), puis déplacez-le à l'extrémité gauche du cadre de la porte. (Fig. A/B)
3. Retirez les 3 vis de charnière (6) de la charnière supérieure (à droite) (5) et retirez-la. (Fig. C)
4. Retirez le clou décoratif (8) sur le dessus gauche de l'armoire et installez la charnière supérieure de rechange (gauche) (7) en haut à gauche de l'armoire avec 3 vis. (Fig. D)
5. Après la procédure ci-dessus, installez la charnière inférieure de rechange vers la gauche (9). (Fig. E)
6. Installez et alignez la porte.
7. Insérez les capuchons en plastique pour recouvrir les trous (8).



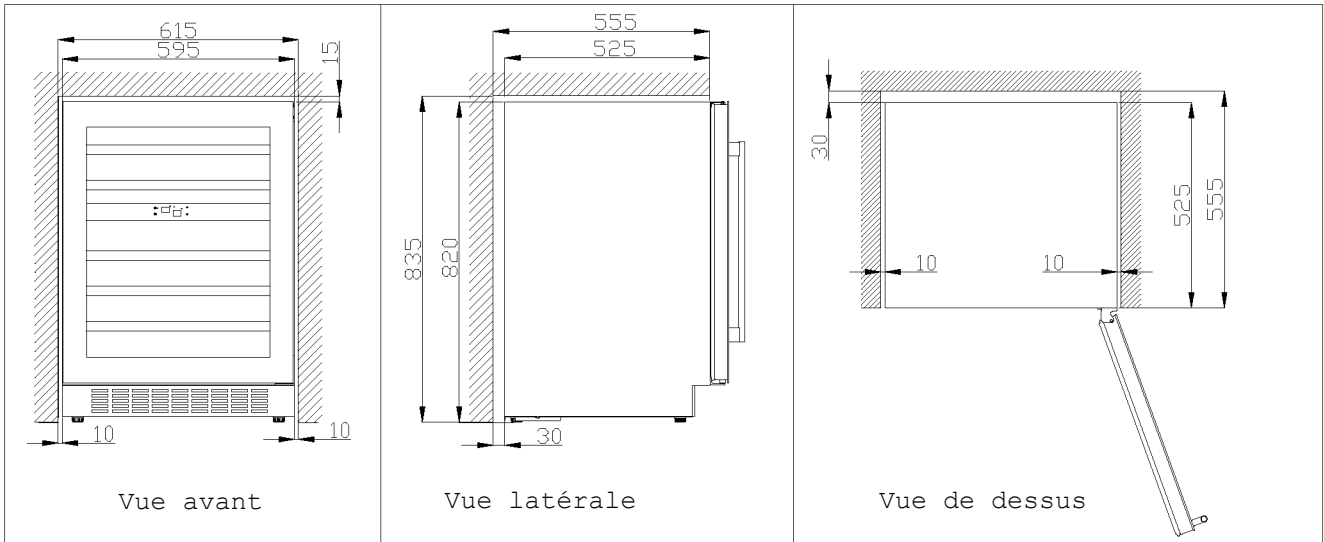
➤ **Schéma de conservation**

En fonction de la configuration réelle de votre produit, veuillez vérifier le schéma de conservation associé.

Total : 44 bouteilles (max)



➤ **Spécifications d'installation pour le montage encastré**



## NETTOYAGE ET ENTRETIEN

### ➤ Nettoyage de votre rafraîchisseur de vin

- Éteignez l'appareil, débranchez-le et retirez tous les éléments, y compris les clayettes et le portant.
- Lavez les surfaces intérieures avec une solution d'eau chaude additionnée de bicarbonate. La solution doit être dosée avec environ 2 cuillerées à soupe de bicarbonate pour un quart de litre d'eau.
- Lavez les clayettes avec une solution détergente douce.
- Essuyez l'excès d'eau avec une éponge ou un chiffon pour nettoyer la zone des commandes ou les parties électriques.
- Lavez l'extérieur de l'armoire avec de l'eau chaude additionnée de détergent liquide doux. Rincez et essuyez soigneusement avec un chiffon doux propre.

### ➤ Panne de courant

- Les pannes de courant ne durent généralement que quelques heures et ne devraient pas affecter la température de votre appareil si vous ouvrez la porte le moins possible. Si la panne de courant dure plus longtemps, vous devez prendre des mesures pour protéger votre contenu.

### ➤ Vacances

- **Vacances de courte durée :** Laissez le rafraîchisseur de vin en marche pendant des vacances de moins de trois semaines.
- **Vacances de longue durée :** Si l'appareil n'est pas utilisé pendant plusieurs mois, retirez tous les éléments et éteignez l'appareil. Nettoyez et essuyez soigneusement l'intérieur. Pour éviter la formation d'odeurs et de moisissure, laissez la porte entrouverte : en la bloquant dans la position ouverte si cela s'avère nécessaire ou en enlevant la porte.

### ➤ Déplacement de votre rafraîchisseur de vin

- Retirez tous les éléments.
- Fixez soigneusement tous les éléments (clayettes) avec du ruban adhésif à l'intérieur de votre appareil.
- Relevez le pied de nivellement jusqu'à la base pour éviter tout dommage.
- Fermez la porte avec du ruban adhésif.
- Veillez à ce que l'appareil reste en position verticale pendant toute la durée du transport. Protégez également l'extérieur de l'appareil à l'aide d'une couverture ou d'un article similaire.

### ➤ Conseils d'économie d'énergie

- Le rafraîchisseur de vin doit être situé dans la zone la plus froide de la pièce, à l'abri des appareils produisant de la chaleur, et ne doit pas être exposé à la lumière directe du soleil.

## DES PROBLÈMES AVEC VOTRE RAFRAÎCHISSEUR DE VIN/RAFRAÎCHISSEUR DE BOISSONS ?


Vous pouvez résoudre facilement de nombreux problèmes courants de rafraîchisseur de vin/rafraîchisseur de boissons, ce qui vous permet d'économiser le coût d'un appel de service possible. Suivez d'abord les conseils ci-dessous pour vérifier si vous êtes en mesure de résoudre le problème sans faire appel au SAV.

### GUIDE DE DÉPANNAGE

PROBLÈME	CAUSE POSSIBLE
Le rafraîchisseur de vin/rafraîchisseur de boissons ne fonctionne pas.	Pas branché. L'appareil est éteint. Le disjoncteur a sauté ou un fusible est grillé.
Le rafraîchisseur de vin/rafraîchisseur de boissons n'est pas assez froid.	Vérifiez le réglage de la température. L'environnement extérieur peut nécessiter un réglage plus élevé. La porte est ouverte trop souvent. La porte n'est pas complètement fermée. Le joint de la porte n'est pas étanche.
S'allume et s'éteint fréquemment.	La température ambiante est plus élevée que d'habitude. Une grande quantité de contenu a été ajoutée au rafraîchisseur de vin/au rafraîchisseur à boissons. La porte est ouverte trop souvent. La porte n'est pas complètement fermée. La commande de la température n'est pas réglée correctement. Le joint de la porte n'est pas étanche.
L'éclairage ne fonctionne pas.	Pas branché. Le disjoncteur a sauté ou un fusible est grillé. L'ampoule a grillé. Le bouton d'éclairage est sur « OFF ».
Vibrations.	Vérifiez que le rafraîchisseur de vin/le rafraîchisseur de boissons est de niveau.
Le rafraîchisseur de vin/rafraîchisseur de boissons semble faire trop de bruit.	Le bruit de cliquetis peut être causé par la circulation du réfrigérant et cela est normal. A la fin de chaque cycle, vous pouvez entendre des bruits causés par la circulation du réfrigérant dans votre rafraîchisseur de vin/rafraîchisseur de boissons. La contraction et la détente à l'intérieur des parois peut causer des bruits de craquement et d'éclatement. Le rafraîchisseur de vin/le rafraîchisseur de boissons n'est pas de niveau.
La porte du rafraîchisseur de vin/rafraîchisseur de boissons n'est pas complètement fermée.	Le rafraîchisseur de vin/le rafraîchisseur de boissons n'est pas de niveau. L'ouverture de la porte a été inversée et mal montée. Le joint est sale. Les clayettes sont hors de position.

#### Avant la mise au rebut de l'appareil.

1. Débranchez la fiche principale de la prise principale.
2. Coupez le câble principal et jetez-le.

Mise au rebut correcte de ce produit	
	<p>Le symbole figurant sur le produit ou sur son emballage indique qu'il ne doit pas être traité comme des ordures ménagères. Au lieu de cela, vous devez l'apporter à un centre de tri approprié pour le recyclage des produits électriques et électroniques. En éliminant correctement cet appareil, vous évitez toutes les conséquences négatives pour l'environnement et la santé humaine, susceptibles de se présenter si cet appareil n'est pas éliminé correctement. Pour plus d'informations sur le recyclage de ce produit, veuillez contacter vos autorités locales, votre service de collecte des ordures ménagères ou le magasin où vous avez acheté le produit.</p>



# **MANUALE DI ISTRUZIONI DELLA CANTINETTA PER VINO**

MODELLO N.:  
**JG45B**

**Grazie per aver acquistato la nostra cantinetta per vino, ci auguriamo che il nostro prodotto all'avanguardia dia al vostro vino un gusto diverso e gioioso. Prima dell'uso, leggere e seguire tutte le norme di sicurezza e le istruzioni operative.**

## AVVERTENZA!

- Per evitare di danneggiare la guarnizione, assicurarsi di tenere lo sportello completamente aperto quando si estraggono i ripiani dal vano guida.
- L'elettrodomestico deve essere posizionato in modo che la spina sia accessibile. Rilasciare il cavo elettrico. Collocare la cantinetta nella sua posizione definitiva. Non spostarla quando è piena di bottiglie di vino, poiché si potrebbe deformare. La cantinetta va posizionata in modo tale da impedire che il compressore possa essere raggiunto e toccato con le mani. Vigilare i bambini affinché non giochino con l'elettrodomestico.
- Se il cavo di alimentazione è danneggiato, deve essere sostituito dal fabbricante, da un tecnico dell'assistenza o da una persona con analogo qualifica per evitare rischi.

Questo elettrodomestico può essere utilizzato da bambini di età pari o superiore a 8 anni e da soggetti con ridotte capacità fisiche, sensoriali o mentali o privi di esperienza e conoscenza, a condizione che vengano sorvegliati o che non giochino con l'elettrodomestico. La pulizia e la manutenzione non devono essere effettuate da bambini non sorvegliati.

I bambini di età compresa tra 3 e 8 anni non possono caricare e scaricare la cantinetta.

Per evitare la contaminazione del vino, attenersi alle seguenti istruzioni:

- Se gli sportelli rimangono aperti a lungo, la temperatura nei compartimenti dell'elettrodomestico aumenta notevolmente.
- Pulire regolarmente le superfici che entrano a contatto con le bottiglie e i sistemi di scarico accessibili.
- Pulire i serbatoi dell'acqua se non sono stati utilizzati per 48 ore; lavare il sistema idrico collegato alla fonte idrica se l'acqua non è stata scaricata per 5 giorni.
- Se il frigorifero dovrà rimanere vuoto per lunghi periodi, spegnerlo, sbrinarlo, pulirlo, asciugarlo e lasciare lo sportello aperto per evitare la formazione di muffa all'interno dell'elettrodomestico.

- **AVVERTENZA:** le aperture di ventilazione nell'involucro dell'elettrodomestico o nella struttura a incasso devono rimanere sempre libere.

- **AVVERTENZA:** non usare oggetti meccanici o utensili diversi da quelli consigliati dal produttore per accelerare lo sbrinamento.

- **AVVERTENZA:** non danneggiare il circuito di refrigerazione.

- **AVVERTENZA:** non adoperare apparecchiature elettriche all'interno dei compartimenti dell'elettrodomestico destinati alla conservazione degli alimenti, a meno che non siano del tipo consigliato dal produttore.

Non collocare sostanze esplosive (ad es. lattine di aerosol con propellente infiammabile) all'interno di questo elettrodomestico.

Questo elettrodomestico è destinato all'uso domestico e a utilizzi simili a quelli di seguito indicati:

- Zone cucine per il personale di negozi, uffici e altri ambienti lavorativi.
- Aziende agricole e clienti di hotel, motel e altri ambienti residenziali.
- Bed & breakfast.
- Catering e servizi simili non al dettaglio.
- **AVVERTENZA:** per evitare un pericolo dovuto all'instabilità, l'elettrodomestico deve essere riparato seguendo le istruzioni.

**SI PREGA DI NON PROVARE IN NESSUN CASO A COLLEGARE  
O PROLUNGARE IL CAVO.**

## ISTRUZIONI IMPORTANTI PER LA SICUREZZA

### ⚡ AVVERTENZA ⚡

Per ridurre il rischio di incendi, scosse elettriche o lesioni durante l'utilizzo dell'elettrodomestico, attenersi alle seguenti precauzioni di base:

- Leggere tutte le istruzioni prima di utilizzare la cantinetta.
- **PERICOLO o AVVERTENZA:** rischio che i bambini restino intrappolati. Il frigorifero presenta rischi di intrappolamento e soffocamento per i bambini. La conservazione di apparecchiature elettriche inutilizzate può presentare pericoli anche se tali apparecchiature vengono lasciate incustodite per qualche giorno.
- **Prima di smaltire la vecchia cantinetta:** Rimuovere lo sportello. Non estrarre i ripiani, per evitare che i bambini possano entrare all'interno dell'elettrodomestico.
- Non permettere ai bambini di usare, giocare o entrare all'interno dell'elettrodomestico.
- Non pulire mai l'elettrodomestico con liquidi infiammabili. I fumi rilasciati da queste sostanze possono provocare incendi o esplosioni.
- Non conservare benzina o altri liquidi/vapori infiammabili vicino al frigorifero o ad altre unità simili. I fumi rilasciati da queste sostanze possono provocare incendi o esplosioni.
- **Se il refrigerante di questo elettrodomestico è l'R600a, i prodotti infiammabili ed esplosivi non devono essere collocati all'interno o in prossimità della cantinetta, per evitare incendi o esplosioni.**



**-Conservare queste istruzioni-**

## ISTRUZIONI PER L'INSTALLAZIONE

### ➤ Prima di usare la cantinetta

- Togliere i materiali di imballo esterni e interni.
- Prima di collegare la cantinetta alla rete elettrica, collocarla in verticale e lasciarla in questa posizione per circa 2 ore per limitare il rischio di malfunzionamenti dovuti alla movimentazione in fase di trasporto.
- Pulire le superfici interne con un panno morbido e acqua tiepida.
- Per lo smaltimento dell'elettrodomestico, scegliere un sito di smaltimento autorizzato.

### ➤ Installazione della cantinetta

- Questo elettrodomestico è progettato per la libera installazione o per l'installazione a incasso (a scomparsa totale) (fare riferimento alla posizione dell'adesivo sul retro di questo elettrodomestico).
- **Questo elettrodomestico deve essere utilizzato solo per la conservazione di vino o bevande.**
- Collocare la cantinetta su un pavimento in grado di sostenerne il peso a pieno carico. Per livellare la cantinetta, regolare il piedino di livellamento anteriore sul fondo dell'elettrodomestico.
- Questo elettrodomestico utilizza refrigerante infiammabile, quindi non danneggiare mai i tubi di raffreddamento durante il trasporto. Collocare la cantinetta lontano dalla luce solare diretta e da fonti di calore, ad es. stufe, termosifoni o radiatori. La luce solare diretta può danneggiare il rivestimento acrilico e la presenza di fonti di calore può aumentare i consumi elettrici. Temperature ambientali troppo basse possono influire sul corretto funzionamento dell'unità.
- Non collocare l'unità in zone umide.
- Collegare la spina elettrica della cantinetta a una presa a parete dedicata e collegata adeguatamente a terra. Non tagliare o rimuovere per alcun motivo il terzo polo (terra) del cavo di alimentazione. In caso di dubbi o domande sull'alimentazione e/o la messa a terra, rivolgersi a un elettricista certificato o a un centro assistenza autorizzato.

### ➤ Attenzione

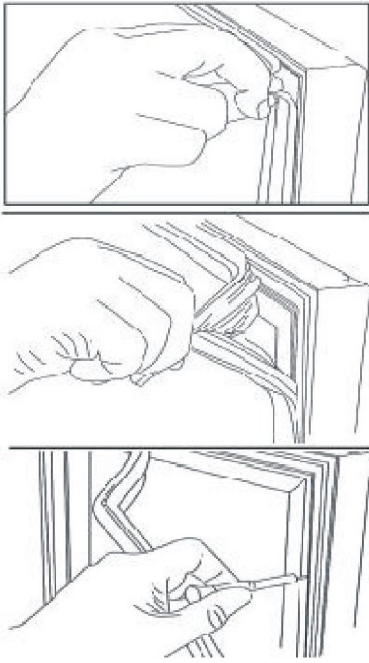
- Conservare il vino in bottiglie sigillate;
- Non sovraccaricare il vano;
- Non aprire lo sportello se non necessario;
- Non coprire i ripiani con fogli di alluminio o qualsiasi altro materiale che possa impedire la circolazione dell'aria;
- Qualora la cantinetta rimanga inutilizzata per lunghi periodi si consiglia, dopo un'accurata pulizia, di lasciare lo sportello socchiuso per consentire la circolazione dell'aria all'interno del vano, onde evitare possibili formazioni di condensa, muffe o odori.

### ➤ Limiti di temperatura ambiente

Questo elettrodomestico è progettato per funzionare alle temperature ambiente specificate dalla categoria di temperatura indicata sulla targhetta.

Categoria	Simbolo	Intervallo di temperature ambiente
Temperata estesa	SN	Da +50 °F a +90 °F (Da +10 °C a +32 °C)
Temperata	N	Da +60 °F a +90 °F (Da +16 °C a +32 °C)
Subtropicale	ST	Da +60 °F a +100 °F (Da +16 °C a +38 °C)
Tropicale	T	Da +60 °F a +110 °F (Da +16 °C a +43 °C)

➤ **Installazione della maniglia**



1. Aprire lo sportello ed estrarre con cautela la guarnizione solo nella zona dove deve essere installata la maniglia.
2. All'interno dello sportello sono visibili due viti.
3. Inserire il coperchio della vite in direzione della freccia (solo per lo sportello interamente in vetro e per lo sportello slim in acciaio inox). Vedere Fig. 1.
4. Guidare la vite superiore per 3 o 4 giri, quindi fare lo stesso con la vite inferiore per allineare la maniglia.
5. In alternativa, serrare la vite superiore e inferiore finché la maniglia non è a filo con il telaio dello sportello.
6. Premere con cautela la guarnizione dello sportello per riportarla alla sua posizione originale.

- ① Vite
- ② Coperchi delle viti (acclusi alla borsa manuale)
- ③ Maniglia
- ④ Sportello

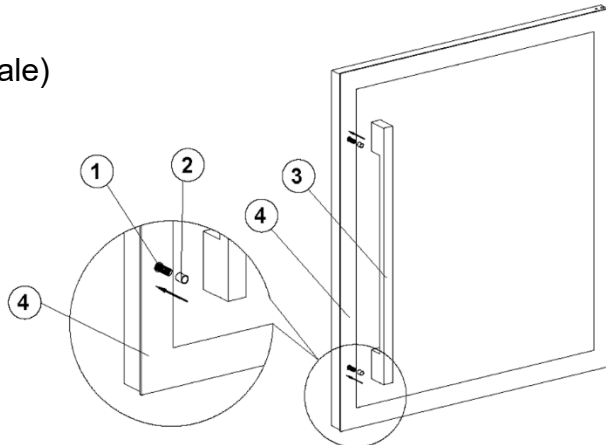


Fig. 1

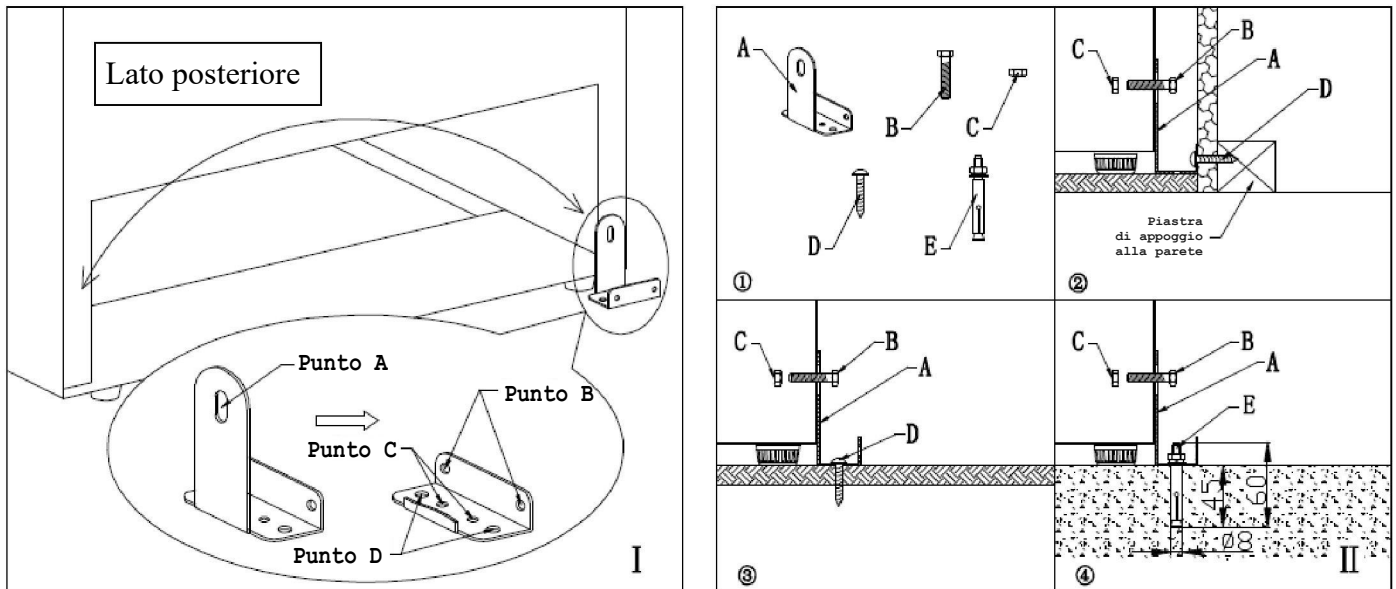
**ATTENZIONE:**

Non serrare eccessivamente le viti in quanto ciò potrebbe danneggiare la maniglia o lo sportello.



## ➤ ISTRUZIONI PER IL MONTAGGIO DELLA STAFFA ANTIRIBALTAMENTO

AVVERTENZA: quando l'unità è A LIBERA INSTALLAZIONE, per evitarne il RIBALTAMENTO si prega di utilizzare la staffa antiribaltamento e di seguire queste istruzioni!



### 1. Elenco delle parti della staffa antiribaltamento: (Fig. II①)

- A: Staffa antiribaltamento (1 pz)
  - B: Bullone esagonale (1 pz)
  - C: Dado esagonale (1pz)
  - D: Vite autofilettante (2 pz)
  - E: Vite di espansione (1 pz)
- Fissare la staffa con le viti in dotazione.

### 2. Istruzioni per il montaggio della staffa antiribaltamento: (Fig. I)

- Punto A: Foro di montaggio fisso per l'unità
- Punti B: Fori di montaggio fissi per il muro
- Punti C: Fori di montaggio fissi per il pavimento in legno
- Punto D: Fori di montaggio fissi per il pavimento in cemento

### 3. Fasi di montaggio della staffa antiribaltamento:

La staffa può essere montata in basso a sinistra OPPURE in basso a destra sul lato posteriore dell'unità. È possibile scegliere il lato migliore.

IMPORTANTE: Prima di iniziare a montare la staffa, decidere la posizione finale.

È necessario scegliere il metodo di montaggio tra uno dei tre di seguito descritti.

#### 1. Montaggio A PARETE: (Fig. II②)

Dopo aver confermato la posizione di montaggio, collocare la staffa sul pavimento con il punto B contro il muro; utilizzare (D) la vite autofilettante (2 pz), allineare i punti B e fissare la staffa al muro.

Spostare l'unità per allinearla al punto A della staffa, utilizzando (B) il bullone esagonale (1 pz) e (C) il dado esagonale (1 pz) per il fissaggio.

NOTA:

Le viti DEVONO entrare in una piastra di appoggio in legno. Se la parete presenta montanti metallici o materiali simili, è necessario ricorrere al montaggio a pavimento.

#### 2. Montaggio su PAVIMENTO IN LEGNO: (Fig. II③)

Dopo aver confermato la posizione di montaggio, collocare la staffa sul pavimento in legno; utilizzare (D) la vite autofilettante (2 pz), allineare i punti C e fissare la staffa al pavimento in legno.

Spostare l'unità per allinearla al punto A della staffa, utilizzando (B) il bullone esagonale (1 pz) e (C) il dado esagonale (1 pz) per il fissaggio.

### 3. Montaggio su PAVIMENTO IN CEMENTO: (Fig. II④)

Dopo aver confermato la posizione di montaggio, scegliere uno qualsiasi dei punti D per fissare la staffa al pavimento in cemento.

Usando una punta per cemento, praticare un foro pilota di 8 mm di  $\varnothing$  a 45~55 mm di profondità. Utilizzare (E) la vite di espansione (1 pz) per penetrare nel cemento, quindi estrarre il dado, la rondella elastica e la rondella. Allineare i punti D con (E) la vite di espansione (1 pz) e rimettere il dado, la rondella elastica e la rondella per il fissaggio al pavimento in cemento.

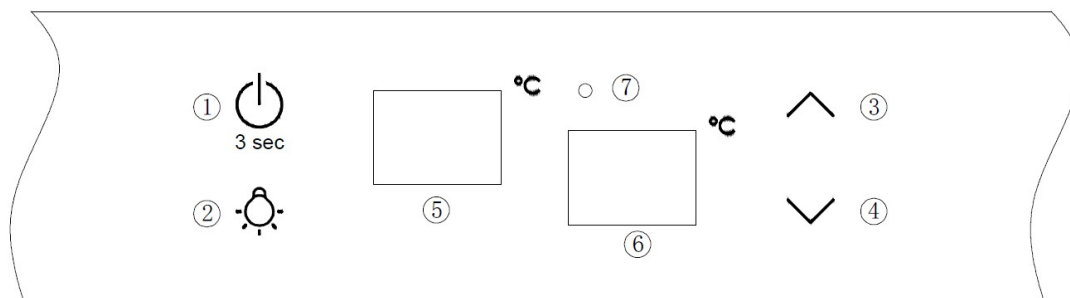
Spostare l'unità per allinearla al punto A della staffa, utilizzando (B) il bullone esagonale (1 pz) e (C) il dado esagonale (1 pz) per il fissaggio.


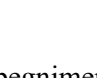


#### ATTENZIONE:

Controllo della staffa: dopo aver montato la staffa, provare ad applicare la giusta forza per ribaltare l'unità. Se l'unità non si ribalta, significa che la staffa è montata in modo sicuro, altrimenti DEVE essere rimontata seguendo queste istruzioni.

## FUNZIONAMENTO DELLA CANTINETTA PER VINO/BEVANDE E IMPOSTAZIONE DEL CONTROLLO DELLA TEMPERATURA

### ➤ Istruzioni per il sistema di controllo



- ① Tasto “”  
Per regolare l'accensione/spegnimento dell'elettrodomestico (tenere premuto questo tasto per circa 3 secondi).
- ② Tasto “”  
Per regolare l'accensione/spegnimento della luce.
- ③ Tasto “”  
Per impostare la temperatura del comparto superiore.
- ④ Tasto “”  
Per impostare la temperatura del comparto inferiore.
- ⑤ Finestra display a LED  
Per impostare la temperatura del comparto superiore.
- ⑥ Finestra display a LED  
Per impostare la temperatura del comparto inferiore.
- ⑦ spia  
Visualizzazione del compressore in funzione.

### ➤ **Impostazione del controllo della temperatura**

- Quando si preme “ $\wedge$ ” o “ $\vee$ ”, il sistema entra automaticamente nella modalità di configurazione del comparto superiore o inferiore. Il LED lampeggia e mostra la temperatura impostata.

Premendo il tasto una volta, la temperatura diminuisce o aumenta di 1 °C. Al superamento del valore minimo che è possibile impostare, si passa automaticamente al valore di temperatura più alto regolabile. Dopo aver premuto il tasto per 5 secondi, la cifra del LED smette di lampeggiare, quindi torna a visualizzare la temperatura del vano superiore o inferiore.

- Dopo aver scollegato l'unità, il sistema torna alla temperatura di acquiescenza, impostata in fabbrica. La temperatura di acquiescenza è la seguente:  
Comparto superiore: 6 °C  
Comparto inferiore: 12 °C
- Se si desidera mostrare la temperatura interna impostata, premere il tasto “Imposta superiore” o “Imposta inferiore”; il LED lampeggerà e mostrerà la temperatura impostata. Dopo aver premuto il tasto per 5 secondi, la cifra del LED smette di lampeggiare, tornando a mostrare la temperatura reale.

**Comparto superiore:** L'impostazione della temperatura può essere regolata da 5 °C a 10 °C.

**Comparto inferiore:** L'impostazione della temperatura può essere regolata da 10 °C a 18 °C.

### ➤ **Allarme della temperatura**

Se la temperatura all'interno è superiore a 23 °C, sul display viene visualizzata la scritta “HI” e dopo un'ora verrà attivato l'allarme/segnale acustico. Ciò indica che la temperatura interna è troppo alta. Se la temperatura interna è inferiore a 0 °C, sul display compare la scritta “LO” e contemporaneamente all'allarme si attiva la spia di malfunzionamento.

### ➤ **Funzione di rilevamento della temperatura**

In caso di interruzione dell'alimentazione la cantinetta può richiamare le impostazioni di temperatura precedenti e, al ripristino dell'alimentazione, torna alla temperatura impostata al momento dello spegnimento.

### ➤ **Allarme straordinario di apertura dello sportello**

Quando non si chiude lo sportello o non lo si chiude completamente, dopo 5 minuti si aziona un segnale acustico. Chiudere completamente lo sportello, evitando la dispersione dell'energia fredda.

### ➤ **Luce interna**

Al fine di ridurre il consumo energetico, la luce a LED all'interno della cantinetta si spegne automaticamente alla chiusura dello sportello. Se si desidera che la luce a LED rimanga sempre accesa, è possibile modificare questa impostazione. Tenendo premuto il tasto “LUCES” per 5 secondi, il display mostrerà “LP”. Dopo 4 secondi il display tornerà alla normalità e la luce rimarrà accesa fino allo spegnimento manuale.

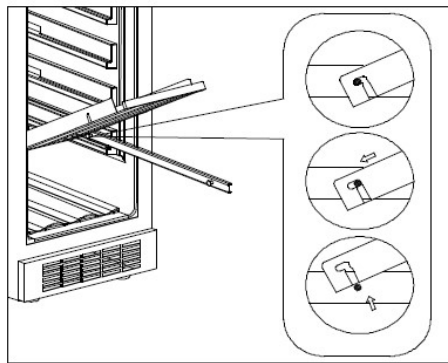
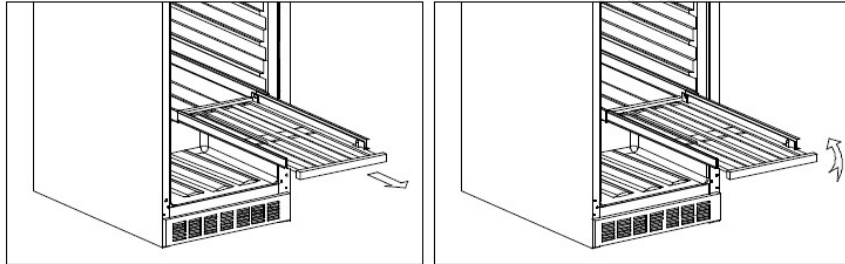
Se si desidera tornare indietro e risparmiare energia (azione consigliata), tenere premuto il pulsante “LUCES” per 5 secondi e il display mostrerà “LF”. Dopo 4 secondi il display tornerà alla normalità, la luce si accenderà all'apertura dello sportello e si spegnerà alla chiusura.

➤ **Istruzioni per i ripiani**

Non coprire i ripiani con fogli di alluminio o altri materiali, poiché ciò ostacolerebbe il flusso d'aria all'interno del vano e potrebbe influire negativamente sulla temperatura interna della cantinetta.

Per rimuovere i ripiani:

1. Estrarre completamente il ripiano.
2. Sollevare la parte anteriore del ripiano.
3. Tenendo la guida, spingere il ripiano verso l'interno e poi verso l'alto per sganciarlo dagli ammortizzatori posteriori.



➤ **NOTA:**

- Se l'unità è staccata dalla presa, se si è verificato un blackout o se l'unità è spenta, occorre attendere 3-5 minuti prima di procedere con il riavvio. Se si prova a riavviare prima di questo intervallo di tempo, la cantinetta per vino/bevande non si accenderà.
- Quando si utilizza la cantinetta per vino/bevande per la prima volta o la si riaccende dopo un lungo periodo di inutilizzo, è possibile che ci sia una leggera differenza tra la temperatura selezionata e quella indicata dal LED. Questa condizione è normale e dipende dall'intervallo di tempo necessario per l'attivazione. La temperatura torna normale dopo qualche ora di funzionamento.

## ➤ Modifica dell'apertura dello sportello

Questo elettrodomestico è dotato di sportelli reversibili ma viene fornito con uno sportello incernierato a destra. Se si desidera invertire la cerniera, l'unità viene fornita con un kit di montaggio della cerniera a sinistra (nella confezione).

**1. Cerniera inferiore (destra)**

**2. Viti**

**3. Asse dello sportello**

**4. Sportello**

**5. Cerniera superiore (destra)**

**6. Viti della cerniera**

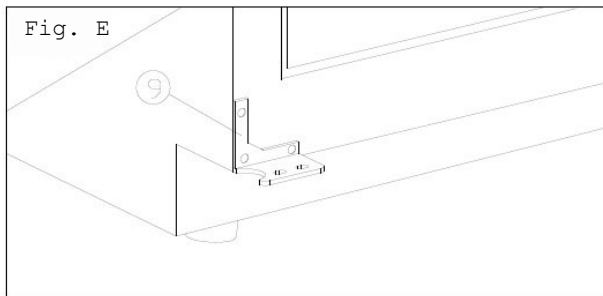
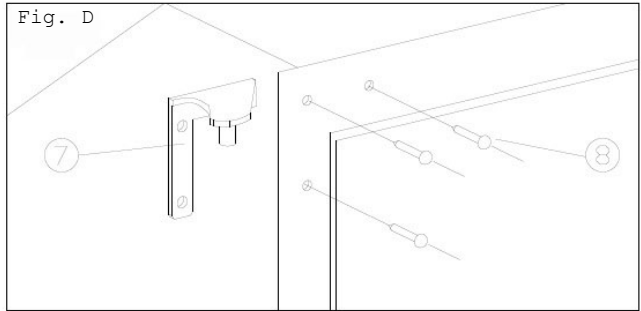
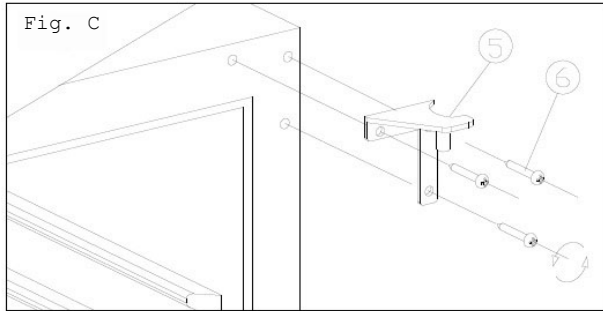
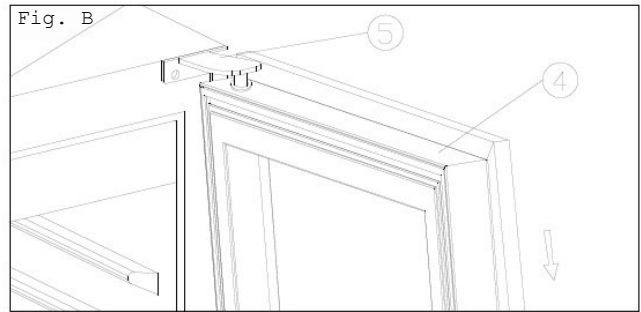
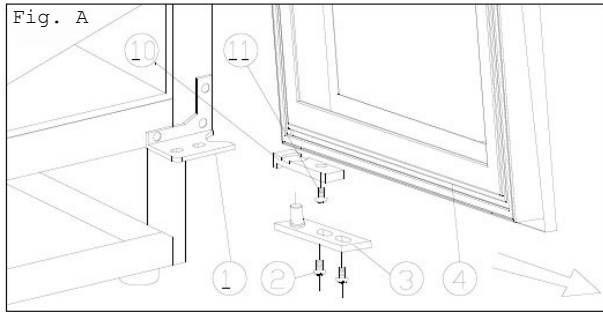
**7. Cerniera superiore (sinistra)**

**8. Coperchio del foro**

**9. Cerniera inferiore (sinistra)**

**10. Dispositivo di finecorsa dello sportello**

**11. Vite**

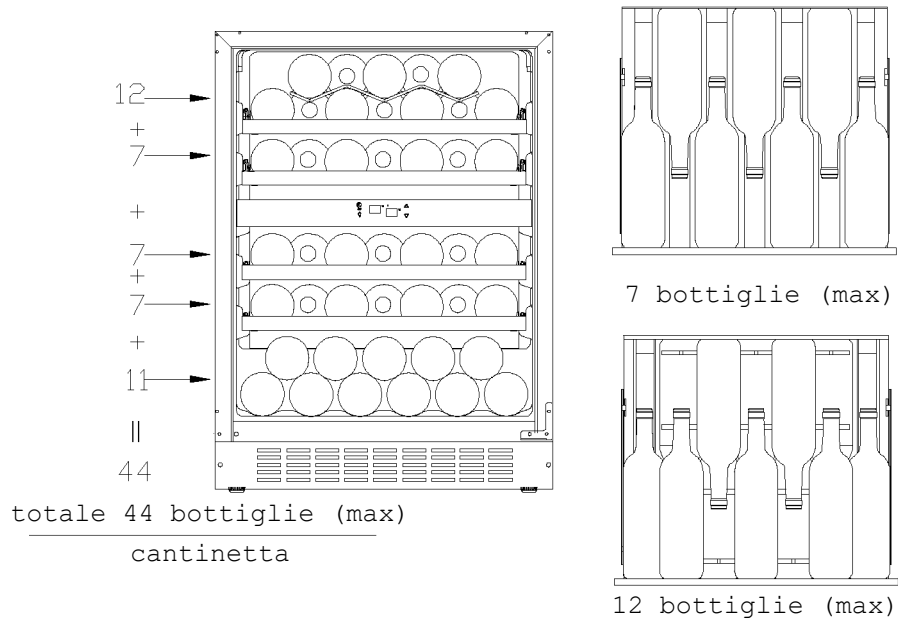


1. Aprire lo sportello con un angolo di 90 gradi, togliere le 2 viti (2) dall'asse inferiore dello sportello (3), rimuovere lo sportello (4), rimuovere la piastra dell'asse (3) dallo sportello (Fig. A).
2. Svitare la vite (11) posta sotto il telaio dello sportello e il dispositivo di finecorsa (10) e riposizionarla sul lato sinistro del telaio dello sportello (Fig. A/B).
3. Estrarre le 3 viti (6) dalla cerniera superiore (destra) (5) e rimuovere la cerniera stessa (Fig. C).
4. Rimuovere il chiodo decorativo (8) dalla parte superiore sinistra della cantinetta e fissare la cerniera superiore di ricambio (sinistra) (7) sulla parte superiore sinistra della cantinetta con 3 viti (Fig. D).
5. Seguendo la procedura sopra, fissare la cerniera inferiore di ricambio a sinistra (9) (Fig. E).
6. Montare e allineare lo sportello.
7. Applicare i coperchi di plastica per coprire i fori (8).

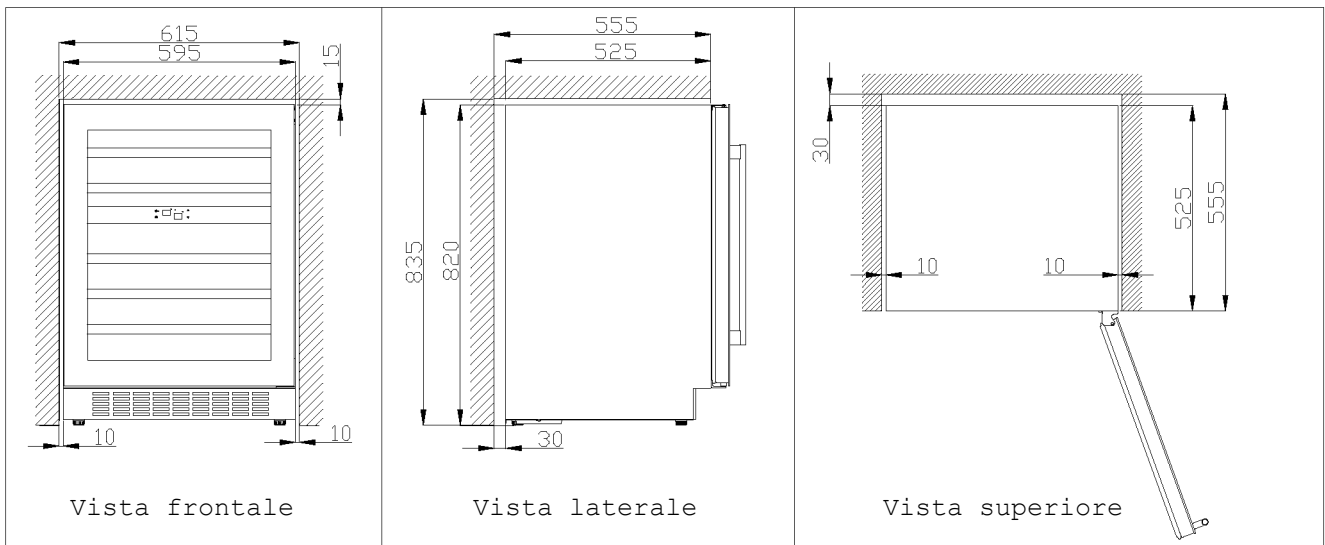
➤ **Schema di conservazione**

In base alla reale configurazione del prodotto, si prega di controllare il relativo schema di conservazione.

Totale: 44 bottiglie (max)



➤ **Specifiche per l'installazione a incasso**



## CURA E MANUTENZIONE

### ➤ Pulizia della cantinetta

- Spegnere l'alimentazione, scollegare l'elettrodomestico e rimuovere tutto il contenuto, inclusi ripiani e rack.
- Lavare le superfici interne con acqua calda e una soluzione di bicarbonato di sodio. Diluire circa 2 cucchiaini da tavola di bicarbonato di sodio in un quarto di litro d'acqua.
- Lavare i ripiani con un detergente delicato.
- Strizzare bene la spugna per pulire la zona dei controlli o eventuali componenti elettrici.
- Lavare la parte esterna del mobile con acqua calda e un detergente liquido delicato. Sciacquare e asciugare bene con un panno morbido pulito.

### ➤ Interruzione dell'alimentazione

- Nella maggior parte dei casi l'alimentazione viene ripristinata entro qualche ora, per cui la temperatura dell'elettrodomestico non diminuisce eccessivamente, soprattutto se si evita il più possibile di aprire lo sportello. Tuttavia, se si prevede che l'interruzione nell'alimentazione possa durare qualche ora, è necessario prendere adeguate misure per proteggere il contenuto.

### ➤ Assenze

- **Assenze brevi:** in caso di assenza non superiore a tre settimane, lasciare la cantinetta in funzione.
- **Assenze lunghe:** se l'elettrodomestico non verrà utilizzato per diversi mesi, rimuovere tutto il contenuto e spegnerlo. Pulire e asciugare accuratamente la parte interna. Per evitare la formazione di odori e muffa, lasciare socchiuso lo sportello e bloccarlo, se necessario.

### ➤ Spostamento della cantinetta

- Rimuovere tutto il contenuto.
- Fissare con nastro adesivo tutti i componenti (ripiani) all'interno dell'elettrodomestico.
- Ruotare il piedino regolabile fino alla base per evitare danni.
- Sigillare lo sportello con nastro adesivo.
- Assicurarsi che l'elettrodomestico rimanga in posizione verticale durante il trasporto. Proteggere anche l'esterno dell'elettrodomestico con una coperta o un oggetto simile.

### ➤ Suggerimenti per il risparmio energetico

- La cantinetta deve essere collocata nel punto più fresco della stanza, lontano da elettrodomestici che producono calore e al riparo dalla luce diretta del sole.

## PROBLEMI CON LA CANTINETTA PER VINO/BEVANDE?


La maggior parte dei problemi della cantinetta per vino/bevande possono essere risolti direttamente senza rivolgersi a un centro di assistenza. Prima di rivolgersi a un centro assistenza, provare i suggerimenti riportati di seguito per risolvere il problema.

### GUIDA ALLA SOLUZIONE DEI PROBLEMI

PROBLEMA	CAUSA PROBABILE
La cantinetta per vino/bevande non funziona.	La spina è staccata. L'elettrodomestico è spento. L'interruttore automatico è scattato o il fusibile si è bruciato.
La cantinetta per vino/bevande non è abbastanza fredda.	Controllare l'impostazione di controllo della temperatura. Aumentare l'impostazione se le condizioni dell'ambiente esterno lo richiedono. Lo sportello viene aperto troppo frequentemente. Lo sportello non è chiuso correttamente. La guarnizione dello sportello non garantisce una buona tenuta.
L'unità si accende e si spegne frequentemente.	La temperatura ambiente è eccessiva. La cantinetta per vino/bevande contiene troppo bottiglie. Lo sportello viene aperto troppo frequentemente. Lo sportello non è chiuso correttamente. La temperatura impostata non è corretta. La guarnizione dello sportello non garantisce una buona tenuta.
La luce interna non funziona.	La spina è staccata. L'interruttore automatico è scattato o il fusibile si è bruciato. La lampadina si è bruciata. Il tasto della luce è "OFF".
Vibrazioni.	Verificare che la cantinetta per vino/bevande sia in piano.
La cantinetta per vino/bevande sembra fare troppo rumore.	Il rumore può essere causato dal flusso di refrigerante e non indica un problema. Al termine di ciascun ciclo è normale sentire un gorgoglio, che dipende dal flusso di refrigerante all'interno della cantinetta per vino/bevande. La contrazione e la dilatazione delle pareti interne possono provocare crepitii. La cantinetta per vino/bevande non è in piano.
Lo sportello non si chiude bene.	La cantinetta per vino/bevande non è in piano. Lo sportello è stato invertito ed è stato montato male. La guarnizione è sporca. I ripiani non sono posizionati correttamente.

#### Prima dello smaltimento dell'elettrodomestico.

1. Scollegare la spina dalla presa principale.
2. Tagliare il cavo principale e gettarlo.

	Corretto smaltimento di questo prodotto
	<p>Questo simbolo sul prodotto o sull'imballo indica che non può essere gestito come rifiuto domestico. Dovrebbe invece essere portato all'apposito punto di raccolta dei rifiuti per il riciclaggio di apparecchiature elettriche ed elettroniche. Garantendo il corretto smaltimento del prodotto, è possibile evitare conseguenze negative per l'ambiente e per la salute umana dovute alla gestione impropria dei rifiuti. Per informazioni più dettagliate sul riciclo di questo prodotto, rivolgersi al comune di residenza, all'azienda addetta allo smaltimento dei rifiuti domestici o al punto vendita in cui è stato acquistato.</p>



# **INSTRUKCJA OBSŁUGI CHŁODZIARKI DO WINA**

NR MODELU  
**JG45B**

**Dziękujemy za zakup naszej chłodziarki do wina. Mamy nadzieję, że nasz zaawansowany produkt nada Twojemu winu inny radosny smak. Przed użyciem prosimy o zapoznanie się i przestrzeganie wszystkich zasad bezpieczeństwa i instrukcji obsługi.**

## OSTRZEŻENIE!

- Aby zapobiec uszkodzeniu uszczelki drzwi, upewnij się, że drzwi są całkowicie otwarte podczas wyciągania półek.
- Urządzenie musi być ustawione tak, aby wtyczka była łatwo dostępna. Zwolnij przewód elektryczny. Przenieś swoją chłodziarkę na miejsce docelowe. Nie przenoś chłodziarki, gdy znajdują się w niej butelki z winem. Może to być zbyt obciążające dla ciała. Chłodziarkę na wino należy zainstalować w takim miejscu, aby nie można było dotknąć kompresora ręką. Należy dopilnować, aby dzieci nie bawiły się urządzeniem.
- Jeśli kabel zasilający ulegnie uszkodzeniu, dla bezpieczeństwa należy zlecić jego wymianę producentowi, autoryzowanemu serwisowi lub osobom o podobnych kwalifikacjach.

To urządzenie może być używane przez dzieci w wieku od 8 lat i osoby o ograniczonych zdolnościach fizycznych, sensorycznych lub umysłowych lub bez doświadczenia i wiedzy, jeśli znajdują się pod nadzorem lub nie bawią się urządzeniem. Czyszczenie i konserwacja nie mogą być wykonywane przez dzieci bez dozoru.

Dzieciom w wieku od 3 do 8 lat nie wolno ładować ani rozładowywać chłodziarki do wina. Aby uniknąć negatywnego wpływu na wino, należy przestrzegać następujących instrukcji:

- Otwarcie drzwi na długi czas może spowodować znaczny wzrost temperatury w komorach urządzenia.
- Regularnie czyść powierzchnie, które mogą mieć kontakt z butelkami oraz dostępne systemy odwadniające.
- Wyczyść zbiorniki na wodę, jeśli nie były używane przez 48 godzin; przepłukać instalację wodną podłączoną do wodociągu, jeśli woda nie była pobierana przez 5 dni.
- Jeżeli urządzenie chłodnicze pozostaje przez dłuższy czas puste, należy je wyłączyć, rozmrozić, wyczyścić, wysuszyć i pozostawić otwarte drzwi, aby zapobiec rozwojowi pleśni wewnątrz urządzenia.

- **OSTRZEŻENIE:** Należy dbać o drożność otworów wentylacyjnych w obudowie urządzenia wolnostojącego lub w konstrukcji do zabudowy.

- **OSTRZEŻENIE:** Nie używaj urządzeń mechanicznych ani innych środków w celu przyspieszenia procesu rozmrażania, chyba że są one zalecane przez producenta.

- **OSTRZEŻENIE:** Uważaj, aby nie uszkodzić obwodu chłodniczego.

- **OSTRZEŻENIE:** Nie używaj urządzeń elektrycznych wewnątrz komór do przechowywania żywności, chyba że są to urządzenia typu zalecanego przez producenta.

Nie przechowuj w urządzeniu substancji wybuchowych takich jak aerozole w puszcze z łatwopalnymi gazami nośnymi.

Urządzenie jest przeznaczone do użytku domowego oraz do innych podobnych zastosowań, takich jak

- użytkowanie w pomieszczeniach kuchennych przeznaczonych dla personelu sklepów, w biurach i innych miejscach pracy;
  - użytkowanie w gospodarstwach rolnych i przez klientów hoteli, moteli oraz w innych środowiskach mieszkalnych;
  - użytkowanie w pensjonatach;
  - użytkowanie w środowisku cateringowym i przy innych zastosowaniach niehandlowych.
- **OSTRZEŻENIE:** Aby uniknąć zagrożenia związanego z niestabilnością urządzenia, należy je zamocować zgodnie z instrukcją.

**NIE NALEŻY W ŻADNYM WYPADKU PRÓBOWAĆ PODŁĄCZAĆ  
LUB PRZEDŁUŻAĆ KABLA.**

## WAŻNE INSTRUKCJE DOTYCZĄCE BEZPIECZEŃSTWA

### ⚡ OSTRZEŻENIE ⚡

Aby zmniejszyć ryzyko pożaru, porażenia prądem lub obrażeń ciała podczas korzystania z urządzenia, należy przestrzegać następujących podstawowych środków ostrożności:

- Przeczytaj wszystkie instrukcje przed użyciem chłodziarki do wina.
- **NIEBEZPIECZEŃSTWO lub OSTRZEŻENIE:** Ryzyko uwięzienia dziecka. Uwięzienie i uduszenie dziecka to nie są problemy, które już się nie zdarzają. Złomowane lub porzucone urządzenia nadal są niebezpieczne... nawet jeśli „po prostu będą stać w garażu przez kilka dni”.
- **Zanim wyrzucisz swoją starą chłodziarkę do wina:** Zdejmij drzwi. Pozostaw półki na miejscu, aby dzieci nie mogły łatwo wejść do środka.
- Nigdy nie pozwalaj dzieciom obsługiwać, bawić się lub wchodzić do wnętrza urządzenia.
- Nigdy nie czyść części urządzenia łatwopalnymi płynami. Opary mogą stwarzać zagrożenie pożarowe lub wybuchowe.
- Nie przechowuj ani nie używaj benzyny ani innych łatwopalnych oparów i płynów w pobliżu tego lub jakiegokolwiek innego urządzenia. Opary mogą stwarzać zagrożenie pożarowe lub wybuchowe.
- **Jeśli czynnikiem chłodniczym tych urządzeń jest R600a, nie należy umieszczać w chłodziarce ani w jej pobliżu artykułów łatwopalnych i wybuchowych, aby uniknąć pożaru lub wybuchu.**



**-Zapisz te instrukcje-**

## INSTRUKCJE DOTYCZĄCE INSTALACJI

### ➤ Przed użyciem chłodziarki do wina

- Usunąć zewnętrzne i wewnętrzne opakowanie.
- Przed podłączeniem chłodziarki do wina do źródła zasilania pozostaw ją w pozycji pionowej na około 2 godziny. Zmniejszy to możliwość awarii układu chłodzenia podczas obsługi w trakcie transportu.
- Wyczyścić powierzchnię wewnętrzną letnią wodą za pomocą miękkiej szmatki.
- W przypadku utylizacji urządzenia należy wybrać autoryzowane miejsce utylizacji.

### ➤ Instalacja chłodziarki do wina

- To urządzenie jest przeznaczone do instalacji wolnostojącej lub do zabudowy (całkowicie wpuszczonej) (Patrz miejsce na naklejce z tyłu urządzenia).
- **To urządzenie jest przeznaczone wyłącznie do przechowywania wina lub napoi.**
- Umieścić chłodziarkę do wina na podłodze, która jest wystarczająco mocna, aby utrzymać ją, gdy jest w pełni załadowana. Aby wypoziomować chłodziarkę do wina, wyreguluj przednią nóżkę poziomującą na dole chłodziarki do wina.
- To urządzenie wykorzystuje palny czynnik chłodniczy. Dlatego nie uszkodź rurociągu chłodzącego podczas transportu. Umieścić chłodziarkę na wino z dala od bezpośredniego światła słonecznego i źródeł ciepła (kuchenka, grzejnik, grzejnik itp.). Bezpośrednie światło słoneczne może wpływać na powłokę akrylową, a źródła ciepła mogą zwiększać zużycie energii elektrycznej. Ekstremalnie niskie temperatury otoczenia mogą również spowodować nieprawidłowe działanie urządzenia.
- Unikaj umieszczania urządzenia w wilgotnych miejscach.
- Podłącz chłodziarkę do wina do osobnego, prawidłowo zainstalowanego, uziemionego gniazdka ściennego. W żadnym wypadku nie przecinaj ani nie usuwaj trzeciego (uziemiającego) bolca przewodu zasilającego. Wszelkie pytania dotyczące zasilania i/lub uziemienia należy kierować do certyfikowanego elektryka lub autoryzowanego centrum serwisowego produktów.

### ➤ Uwaga

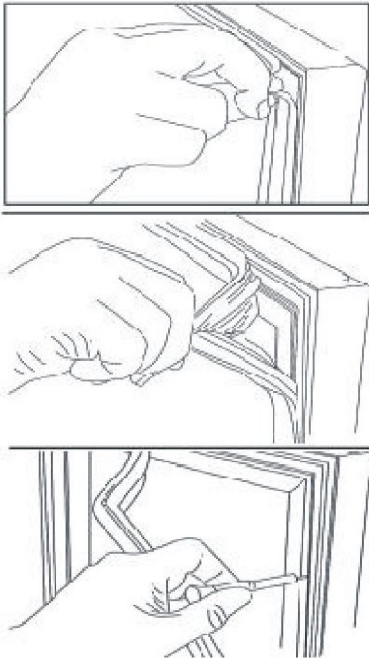
- Przechowuj wino w zamkniętych butelkach;
- Nie przeciążaj chłodziarki;
- Nie otwieraj drzwi, chyba że jest to konieczne;
- Nie przykrywaj półek folią aluminiową ani żadnym innym materiałem na półce, który może uniemożliwić cyrkulację powietrza;
- Jeśli chłodziarka do wina nie będzie używana przez dłuższy czas, zaleca się, po dokładnym oczyszczeniu, pozostawienie uchylonych drzwi, aby umożliwić cyrkulację powietrza wewnątrz szafki, aby uniknąć możliwego tworzenia się skroplin, pleśni lub zapachów.

### ➤ Ograniczenia temperatury otoczenia w pomieszczeniu

To urządzenie jest przeznaczone do pracy w temperaturach otoczenia określonych przez jego klasę temperaturową oznaczoną na oznaczeniu płyta.

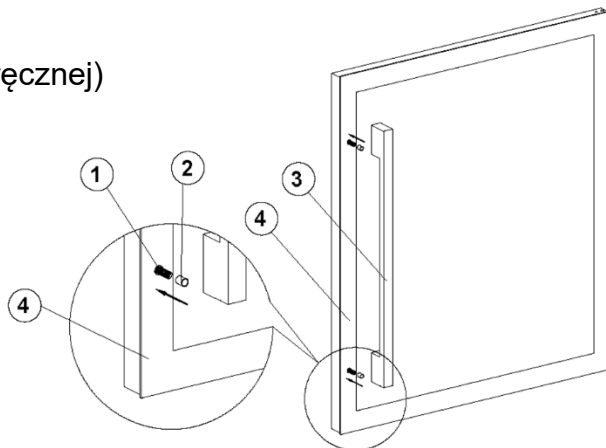
Klasa	Symbol	Zakres temperatur otoczenia
Rozszerzony zakres temperatur	SN	od + 50°F do + 90°F (od + 10°C do + 32°C)
Umiarkowany	N	od +60°F do +90°F (od +16°C do +32°C)
Subtropikalny	ST	od +60°F do +100°F (od +16°C do +38°C)
tropikalny	T	od +60°F do +110°F (od +16°C do +43°C)

## ➤ Instalowanie uchwyty



1. Otwórz drzwi i ostrożnie wyciągnij uszczelkę drzwi tylko w miejscu, w którym ma być zamontowany uchwyt.
2. Będziesz mógł zobaczyć dwie śruby wewnątrz drzwi.
3. Włóż osłonę wkrętów w kierunku strzałki (tylko w przypadku pełnych szklanych drzwi i cienkich drzwi ze stali nierdzewnej). patrz rys. 1
4. Wkręć górną śrubę o 3 lub 4 koła, a następnie wkręć dolną śrubę o 3 lub 4 koła, aby wyrównać uchwyt
5. Alternatywnie dokręć górną i dolną śrubę, aż uchwyt zrówna się z ramą drzwi.
6. Ostrożnie dociśnij uszczelkę drzwi do pierwotnego położenia.

- ① Śruba
- ② Osłony na śruby (przymocowane do torby ręcznej)
- ③ Uchwyt
- ④ Drzwiczki



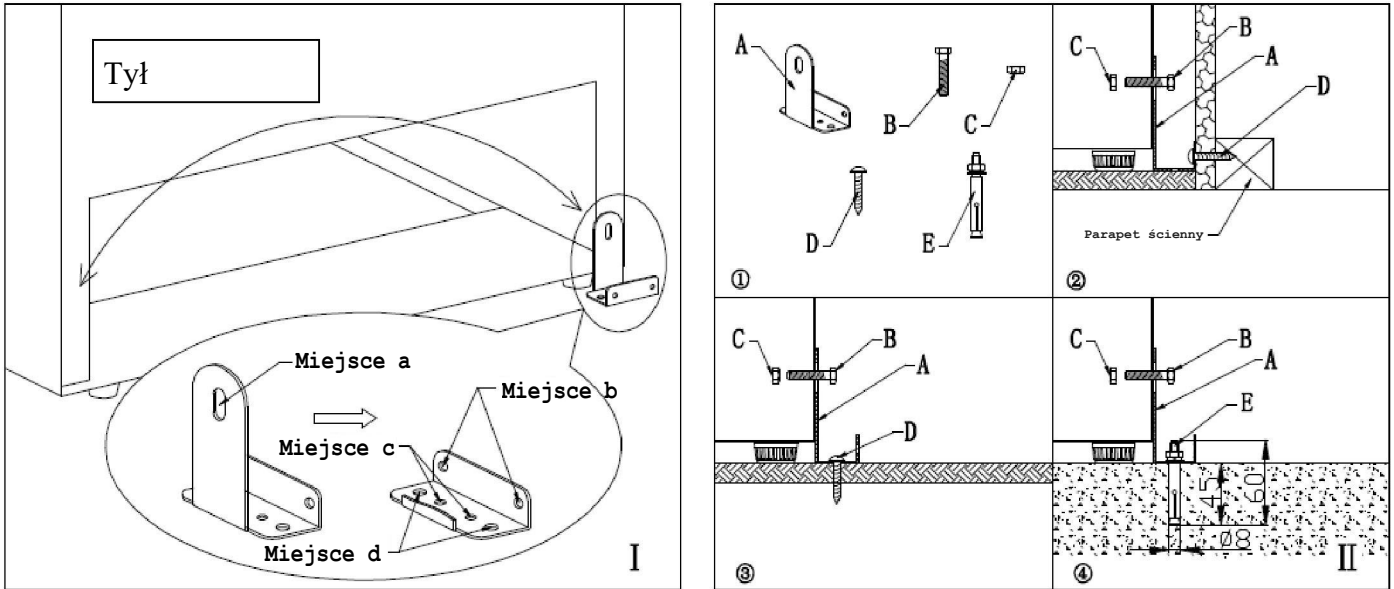
Rys. 1

### **PRZESTROGA:**

Nie dokręcaj śrub zbyt mocno, ponieważ może to spowodować uszkodzenie uchwyty lub drzwi.

## ➤ INSTRUKCJA MONTAŻU WSPORNIKA ZABEZPIEZAJĄCEGO PRZEWROCENIE

**OSTRZEŻENIE:** W przypadku urządzenia WOLNOSTOJĄCEGO należy używać wspornika zabezpieczającego przed przewróceniem i postępować zgodnie z poniższymi instrukcjami, aby uniknąć PRZEWROCENIA urządzenia, co może być niebezpieczne!



### 1. Lista części wspornika zabezpieczającego przed wywróceniem: (Rys. II ①)

- A: Wspornik zabezpieczającego przed wywróceniem (1 szt.)
- B: Śruba sześciokątna (1 szt.)
- C: Nakrętka sześciokątna (1 szt.)
- D: Wkręt samogwintujący (2 szt.)
- E: Śruba rozporowa (1 szt.)

Zamocuj wspornik za pomocą dostarczonych śrub.

### 2. Instrukcja montażu wspornika zapobiegającego przewróceniu: (Rys. I)

- Miejsce A: Naprawiono otwór montażowy dla urządzenia
- Miejsce B: Naprawiono uchwyty montażowe do prawdziwej ściany
- Miejsce C: Naprawiono uchwyty montażowe do podłogi drewnianej
- Miejsce D: Stałe uchwyty montażowe do podłogi betonowej

### 3. Kroki instalacji wspornika zapobiegającego wywróceniu:

Wspornik można zainstalować po lewej stronie na dole LUB po prawej stronie na dole z tyłu urządzenia. Możesz wybrać, która strona jest dla Ciebie wygodniejsza.

**WAŻNE:** Określ ostateczne miejsce przed przystąpieniem do montażu wspornika. Należy wybrać poniżej sposób instalacji na jeden z trzech sposobów.

#### 1. Montaż na PRAWDZIWEJ ŚCIANIE: (Rys. II ②)

Po potwierdzeniu miejsca instalacji umieść wspornik na podłodze tak, aby miejsce B przylegało do prawdziwej ściany, użyj D: Za pomocą wkrętu samogwintującego (2 szt.) wyrównaj miejsce B i przymocuj wspornik do prawdziwej ściany.

Przesuń urządzenie, aby dopasować do wspornika miejsca A, użyj B: Śruba sześciokątna (1 szt.) i C: Nakrętka sześciokątna (1 szt.) do zamocowania.

#### UWAGA:

Śruby MUSZĄ wejść w drewnianą płytę parapetową. Jeśli w ścianie znajdują się metalowe kołki lub podobne materiały, należy zastosować instalację podłogową

## 2. Montaż na PODŁODZE DREWNIANEJ: (Rys. II③ )

Po potwierdzeniu miejsca instalacji umieść wspornik na drewnianej podłodze, używany D: Za pomocą wkrętu samogwintującego (2 szt.) wyrównaj miejsce C i przymocuj wspornik do drewnianej podłogi.

Przesuń urządzenie do wyrównania ze wspornikiem miejsca A, używany B: Śruba sześciokątna (1 szt.) i C: Nakrętka sześciokątna (1 szt.) do zamocowania.

## 3. Montaż NA PODŁODZE BETONOWEJ: (Rys. II④ )

Po potwierdzeniu lokalizacji instalacji, wybierz dowolny uchwyt miejsca D, aby przymocować wspornik do betonowej podłogi

Używając wiertła do betonu, wywierć  $\varnothing$  8mm otwór pilotażowy na głębokość 45~55mm. Użyj E: Śruba rozporowa (1 szt.) wchodzi w beton, wyjmij nakrętkę, podkładkę sprężystą i podkładkę.

Wyrównaj miejsce D do E: śruba rozporowa (1 szt.) i załóż z powrotem nakrętkę, podkładkę sprężystą i podkładkę, aby zamocować je na betonowej podłodze.

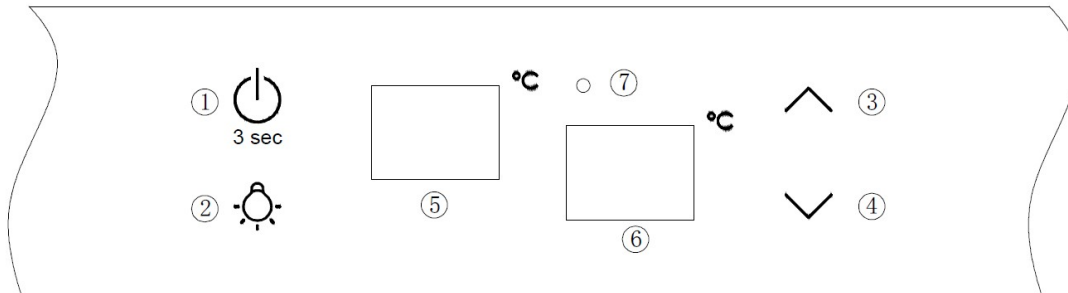
Przesuń urządzenie do wyrównania ze wspornikiem miejsca A, używany B: Śruba sześciokątna (1 szt.) i C: Nakrętka sześciokątna (1 szt.) do zamocowania.





### UWAGA:

Sprawdź wspornik: Po zamontowaniu wspornika spróbuj użyć wypróbować przechylenie się urządzenia. Jeśli urządzenie się nie przechyliło, oznacza to, że wspornik jest dobrze zamocowany lub MUSI zostać ponownie zainstalowany zgodnie z tymi instrukcjami.

## OBSŁUGA CHŁODZIARKI DO WINA/CHŁODZIARKI NAPOJÓW I USTAWIANIE REGULACJI TEMPERATURY

### ➤ Instrukcja systemu sterowania



- **Przycisk ① “  ”**  
Aby sterować tym urządzeniem, włącz/wyłącz (naciśnij i przytrzymaj ten przycisk przez około 3 sekundy).
- **Przycisk ② “  ”**  
Aby kontrolować wewnętrzne światło, włącz/wyłącz.
- **Przycisk ③ “  ”**  
Aby ustawić temperaturę górnej komory.
- **Przycisk ④ “  ”**  
Aby ustawić temperaturę dolnej komory.
- **Okno wyświetlacza LED ⑤**  
Aby ustawić temperaturę górnej komory.
- **Okno wyświetlacza LED ⑥**  
Aby ustawić temperaturę dolnej komory.

- **Kontrolki**

Sprężarka w trybie pracy.

- **Ustawianie kontroli temperatury**

- Po naciśnięciu przycisku “  $\wedge$  ” or “  $\vee$  ” system automatycznie wejdzie w tryb konfiguracji w górnej lub dolnej komorze. Dioda LED zacznie migać i wyświetli ustawioną temperaturę.

Jednokrotne naciśnięcie przycisku spowoduje spadek lub wzrost temperatury o 1°C. W przypadku przekroczenia minimalnej możliwej do ustalenia wartości, automatycznie przeskoczy do najwyższej regulowanej wartości temperatury. Po zatrzymaniu naciskania przycisku przez 5 sekund, wskaźnik LED przestanie migać, a następnie powróci, aby wyświetlić temperaturę górnej lub dolnej komory.

- Po odłączeniu urządzenia system powróci do temperatury przejmowania ustawionej fabrycznie.

Temperatura przejmowania jak poniżej:

Komora górna: 6° C

Dolna komora: 12° C

- Jeśli chcesz ujawnić wszystkie ustawienia temperatury w pomieszczeniu, należy nacisnąć przycisk „Ustaw górną” lub „Ustaw dolną”, dioda LED zacznie migać i wyświetli ustawienie temperatury. Po zatrzymaniu naciskania przycisku przez 5 sekund, wskaźnik LED przestanie migać, a następnie powróci do wyświetlania aktualnej temperatury.

**Komora górna:** Ustawienie temperatury można regulować w zakresie od 5°C do 10°C.

**Dolna komora:** Ustawienie temperatury można regulować w zakresie od 10°C do 18°C.

- **Alarm temperatury**

Jeśli temperatura wewnątrz jest wyższa niż 23 °C, na wyświetlaczu pojawi się „HI”, a po godzinie rozlegnie się dźwięk alarmu/brzęczyka. Oznacza to, że temperatura wewnątrz jest zbyt wysoka. Jeżeli temperatura wewnątrz jest niższa niż 0°C, na wyświetlaczu pojawi się napis „LO” i jednocześnie będzie aktywny alarm oraz wskaźnik awarii.

- **Funkcja zapamiętywania temperatury**

W przypadku przerwy w zasilaniu, chłodziarka do wina może zapamiętać poprzednie ustawienia temperatury, a po przywróceniu zasilania temperatura chłodziarki wróci do tej samej ustawionej temperatury, co po wyłączeniu.

- **Alarm zbyt długiego otwarcia drzwi**

Gdy zapomnisz zamknąć drzwi lub drzwi nie są całkowicie zamknięte, brzęczyk włączy się po 5 minutach. Proszę całkowicie zamknąć drzwi i unikać utraty energii zimna.

- **Światło wewnętrzne**

Aby zmniejszyć zużycie energii, oświetlenie LED w chłodziarce na wino automatycznie wyłączy się po zamknięciu drzwi. Jeśli chcesz, żeby światło LED pozostało włączone, jest to możliwe. Naciśnij i przytrzymaj przycisk „LIGHT” przez 5 sekund, wyświetlacz pokaże „LP”. Po 4 sekundach wyświetlacz powróci do normalnego stanu, a światło pozostanie włączone do momentu ręcznego wyłączenia.

Jeśli chcesz cofnąć się i oszczędzać energię (zalecane), naciśnij i przytrzymaj przycisk „LIGHT” przez 5 sekund, wyświetlacz pokaże „LF”. Po 4 sekundach wyświetlacz powróci do normalnego stanu, światło będzie włączone po otwarciu drzwi i wyłączy się po zamknięciu drzwi.

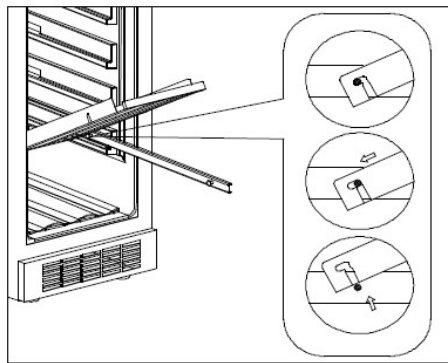
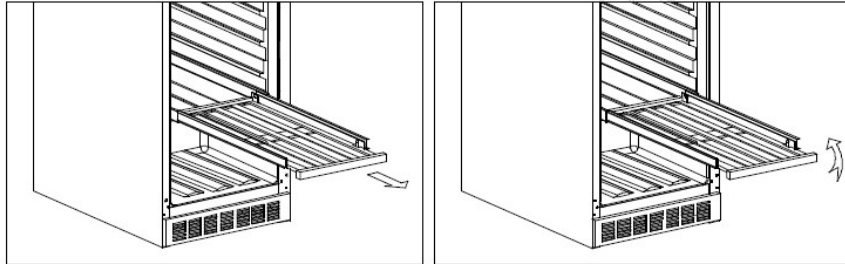


➤ **Instrukcja dot. półek**

Nie przykrywaj półek folią aluminiową ani żadnym innym materiałem, ponieważ utrudni to przepływ powietrza wewnątrz chłodziarki i może niekorzystnie wpłynąć na temperaturę wewnątrz szafki.

Aby wyjąć półki:

1. Całkowicie wysuń półkę.
2. Podnieś przód półki.
3. Trzymając prowadnicę półki, wepchnij półkę, a następnie wysuń do góry, aby uwolnić ją z tylnych amortyzatorów.



➤ **UWAGA:**

- Jeśli urządzenie zostanie odłączone od zasilania, wyłączone lub jeśli nastąpi utrata zasilania, należy odczekać od 3 do 5 minut przed ponownym uruchomieniem lodówki. Jeśli spróbujesz uruchomić się ponownie przed tym opóźnieniem, chłodziarka do wina/napojów nie uruchomi się.
- Podczas pierwszego użycia chłodziarki do wina/napojów lub ponownego uruchamiania chłodziarki do wina/napojów po dłuższym wyłączeniu, może wystąpić różnica kilku stopni między wybraną temperaturą a temperaturą wskazaną przez diodę LED odczytu. Jest to normalne i wynika z długości czasu aktywacji. Po kilku godzinach pracy chłodziarki do wina/napojów wszystko wróci do normy.

## ➤ Jak zmienić otwarcie drzwi

To urządzenie ma odwracalne drzwi, ale jest dostarczane z prawymi drzwiami na zawiasach. Zestaw zawiasów po lewej stronie jest dostarczany z urządzeniem (w pudełku), jeśli chcesz odwrócić zawias w urządzeniu.

**1. Dolny zawias (prawy)**

**4. Drzwiczki**

**7. Zawias górny (lewy)**

**10. Urządzenie ograniczające drzwi**

**2. Śruby**

**5. Zawias górny (prawy)**

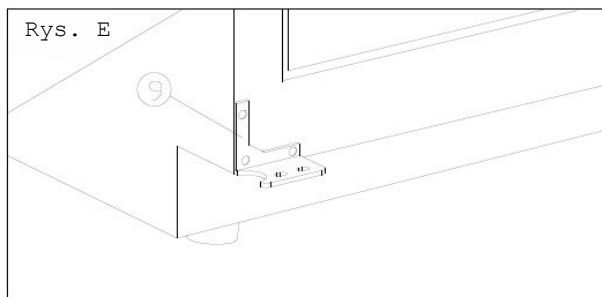
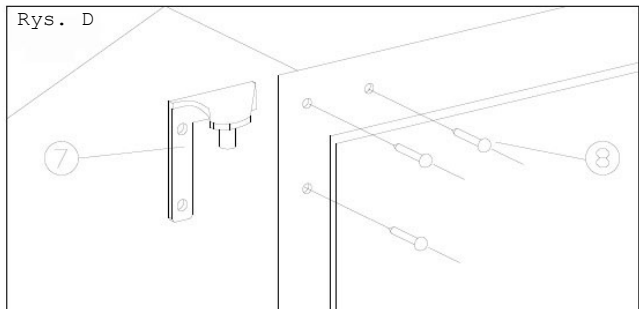
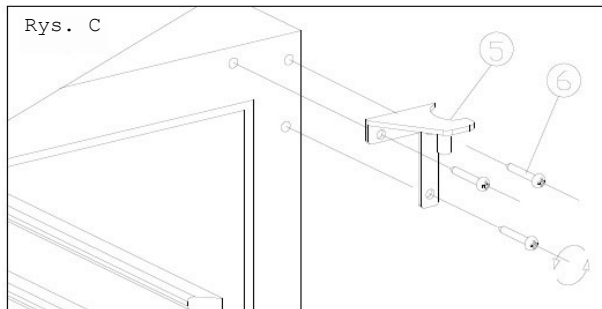
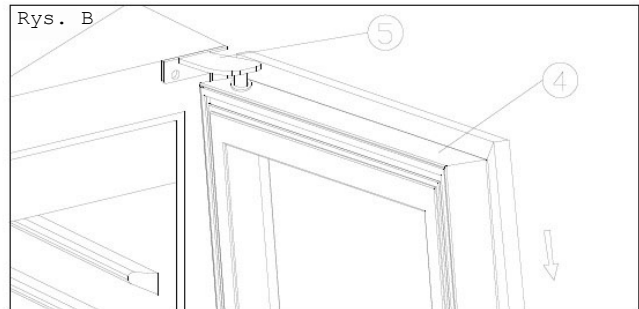
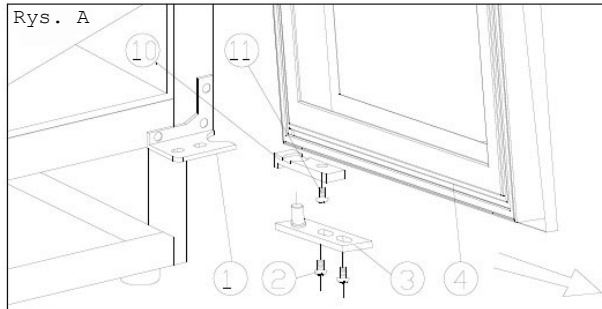
**8. Zaślepka**

**11. Śruba**

**3. Oś drzwi**

**6. Śruby zawiasów**

**9. Zawias dolny (lewy)**

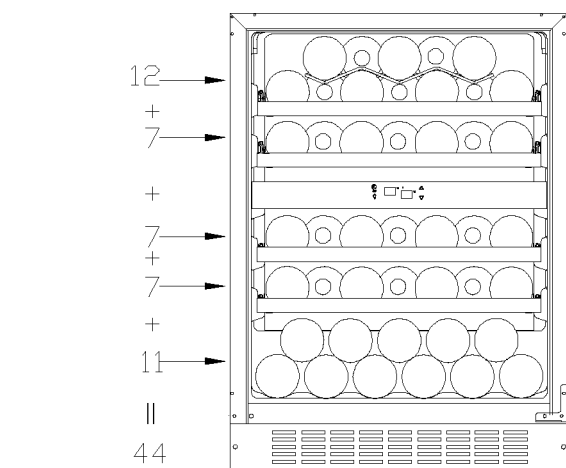


1. Otwórz drzwi pod kątem 90 stopni, wykręć 2 śruby (2) z dolnej osi drzwi (3), zdejmij drzwi (4), zdejmij płytkę osi (3) z drzwi, (Rys. A).
2. Odkręć śrubę (11) znajdującą się pod ramą drzwi i ogranicznikiem (10) i przelóż ją na lewy koniec ramy drzwi. (Rys. A/B)
3. Wyjmij 3 śruby zawiasu (6) z górnego zawiasu (prawego) (5) i wyjmij go. (Rys. C)
4. Zdejmij gwóźdź ozdobny (8) z lewej górnej części szafki i zamontuj zapasowy górny zawias (lewy) (7) na lewym górnym rogu szafki za pomocą 3 śrub. (Rys. D)
5. Postępując zgodnie z powyższą procedurą, zamontuj zapasowy dolny zawias po lewej stronie (9). (Rys. E)
6. Zamontuj i wyrównaj drzwi.
7. Włóż plastikowe zaślepki, aby zakryć otwory (8).

➤ **Schemat przechowywania**

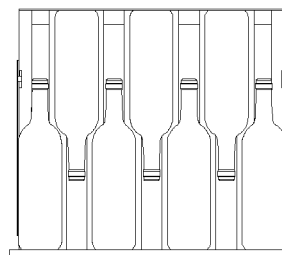
Zgodnie z faktyczną konfiguracją twojego produktu, sprawdź odpowiedni schemat przechowywania.

Całkowity: 44 butelki (maks.)

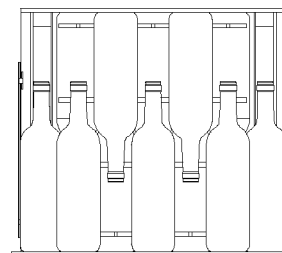


łącznie 44 butelki (maks.)

Chłodziarka do wina

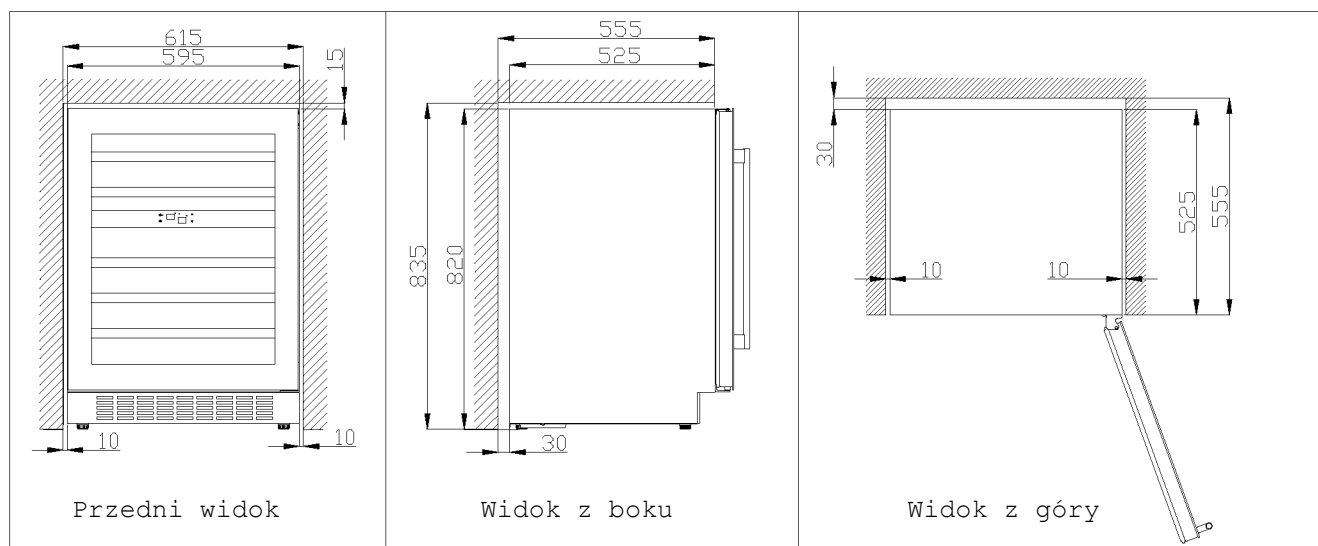


7 butelek (maks.)



12 butelek (maks.)

➤ **Specyfikacja instalacji dla celów do zabudowy**



## PIELĘGNACJA I KONSERWACJA

### ➤ Czyszczenie chłodziarki do wina

- Wyłącz zasilanie, odłącz urządzenie i wyjmij wszystkie przedmioty, w tym półki i stojak.
- Umyj powierzchnie wewnątrz roztworem z ciepłej wody i sody oczyszczonej. Roztwór powinien być wykonany z ok. 2 łyżek stołowych sody oczyszczonej i litra wody.
- Umyj półki i tacki roztworem łagodnego detergentu.
- Wyciśnij nadmiar wody z gąbki lub szmatki podczas czyszczenia obszaru elementów sterujących lub jakichkolwiek części elektrycznych.
- Umyj zewnętrzną część chłodziarki ciepłą wodą i łagodnym detergentem w płynie. Dobrze spłucz i wytrzyj do sucha czystą, miękką ściereczką.

### ➤ Brak zasilania

- W większości przypadków zasilanie przywracane jest w ciągu kilku godzin i nie powinno to wpłynąć na temperaturę w chłodziarce do wina, o ile ograniczysz do minimum częstość otwierania drzwiczek. Jeśli zasilanie ma być wyłączone na dłużej, musisz odpowiednio zadziałać, by zabezpieczyć wino.

### ➤ Okres urlopu

- **Krótkie wakacje:** Pozostaw chłodziarkę do wina działającą podczas wakacji trwających krócej niż trzy tygodnie.
- **Długie wakacje:** Jeśli urządzenie nie będzie używane przez kilka miesięcy, usuń wszystkie przedmioty i wyłącz urządzenie. Dokładnie wyczyść i osusz wewnątrz urządzenia. Aby zapobiec powstawaniu nieprzyjemnych zapachów i pleśni, drzwi należy pozostawić lekko uchylone: w razie potrzeby zablokować je.

### ➤ Przenoszenie chłodziarki do wina

- Usuń wszystkie elementy.
- Bezpiecznie przyklej taśmą wszystkie luźne przedmioty (półki) wewnątrz urządzenia.
- Obróć regulowaną nogę do podstawy, aby uniknąć uszkodzenia.
- Zamknij drzwi taśmą.
- Upewnij się, że urządzenie pozostaje bezpiecznie w pozycji pionowej podczas transportu. Zabezpiecz także zewnętrzną część urządzenia kocem lub podobnym przedmiotem.

### ➤ Wskazówki dotyczące oszczędzania energii

- Chłodziarka do wina powinna być umieszczona w najchłodniejszym miejscu pomieszczenia, z dala od urządzeń wytwarzających ciepło i poza bezpośrednim działaniem promieni słonecznych.

## PROBLEMY Z CHŁODZIARKĄ DO WINA/NAPOJÓW?


Możesz łatwo rozwiązać wiele typowych problemów z chłodziarką do wina/napojów, oszczędzając na kosztach ewentualnego wezwania serwisu. Wypróbuj poniższe sugestie, aby sprawdzić, czy możesz rozwiązać problem, zanim zadzwonisz do serwisu.

### PODRĘCZNIK ROZWIĄZYWANIA PROBLEMÓW

PROBLEM	POTENCJALNA PRZYCZYNA
Chłodziarka do wina/napojów nie działa.	Niepodłączona. Urządzenie jest wyłączone. Zadziałał wyłącznik automatyczny lub przepalony bezpiecznik.
Chłodziarka do wina/napojów nie jest wystarczająco zimna.	Sprawdź ustawienie kontroli temperatury. Środowisko zewnętrzne może wymagać wyższego ustawienia. Drzwi są otwierane zbyt często. Drzwi nie są całkowicie zamknięte. Uszczelka drzwi nie uszczelnia się prawidłowo.
Często się włącza i wyłącza.	Temperatura w pomieszczeniu jest wyższa niż normalnie. Duża zawartość została dodana do chłodziarki do wina/napojów. Drzwi są otwierane zbyt często. Drzwi nie są całkowicie zamknięte. Regulacja temperatury nie jest ustawiona prawidłowo. Uszczelka drzwi nie uszczelnia się prawidłowo.
Światło nie działa.	Niepodłączona. Zadziałał wyłącznik automatyczny lub przepalony bezpiecznik. Żarówka się przepaliła. Przycisk światła jest „WYŁĄCZONY”.
Wibracje.	Sprawdź, czy chłodziarka do wina/napojów jest wypoziomowana.
Chłodziarka do wina/napojów wydaje za głośne dźwięki.	Dźwięk przypominający grzechotanie może pochodzić z przepływu czynnika chłodniczego, co jest normalne. Po zakończeniu każdego cyklu możesz słyszeć bulgotanie spowodowane przepływem czynnika chłodniczego w chłodziarce do wina/do napojów. Kurczenie się i rozszerzanie ścian wewnętrznych może powodować odgłosy trzaskania i trzeszczenia. Chłodziarka do wina/napojów nie jest wypoziomowana.
Drzwi nie są prawidłowo zamknięte.	Chłodziarka do wina/napojów nie jest wypoziomowana. Drzwi zostały odwrócone i niepoprawnie zainstalowane. Uszczelka jest brudna. Półki są nie na miejscu.

#### Przed utylizacją urządzenia.

1. Wyjąć wtyczkę zasilającą z gniazda.
2. Odciąć i wyrzucić kabel zasilający.

Prawidłowa utylizacja produktu	
	<p>Ten symbol na produkcie lub jego opakowaniu wskazuje, że produkt nie może być traktowany jak odpady gospodarstwa domowego. Należy go dostarczyć do odpowiedniego punktu zbiórki odpadów w celu poddania recyklingowi sprzętu elektrycznego i elektronicznego. Zapewniając prawidłową utylizację urządzenia, pomagasz zapobiegać ewentualnym negatywnym konsekwencjom dla środowiska i zdrowia ludzkiego, które w przeciwnym razie mogą wystąpić na skutek nieprawidłowego przetwarzania odpadów z niniejszego urządzenia. Więcej informacji na temat recyklingu tego produktu można uzyskać, kontaktując się z samorządem lokalnym, służbami zajmującymi się utylizacją odpadów lub salonem, z którego pochodzi produkt.</p>

# **MANUAL DE INSTRUÇÕES PARA REFRIGERADOR DE VINHO**

N.º DO MODELO  
**JG45B**

**Obrigado por comprar nosso refrigerador de vinho. Esperamos que o nosso produto dê ao seu vinho um sabor diferente e agradável. Antes de utilizar, leia e siga todas as regras de segurança e instruções de funcionamento.**

## AVISO!

- Para evitar danos na vedação da porta, certifique-se de que a porta está totalmente aberta ao puxar as prateleiras para fora do compartimento da calha.
- O aparelho deve ser posicionado de modo que a ficha fique acessível. Solte o cabo elétrico. Mova o armário para a sua localização final. Não mova o armário enquanto estiver carregado com vinho. Pode distorcer o corpo. A garrafeira deve ser instalada num local adequado para evitar tocar no compressor com a mão.  
As crianças devem ser supervisionadas para garantir que não brincam com o aparelho.
- Se o cabo de alimentação estiver danificado, tem de ser substituído pelo fabricante, pelo agente de assistência ou por uma pessoa igualmente qualificada, de forma a evitar o perigo.

Este aparelho pode ser utilizado por crianças de idade igual ou superior a 8 anos e por pessoas com capacidades físicas, sensoriais ou mentais reduzidas ou falta de experiência e conhecimento, desde que sejam supervisionadas e não brinquem com o aparelho. A limpeza e manutenção pelo utilizador não devem ser realizadas por crianças sem supervisão.

As crianças com idades entre 3 e 8 anos não têm permissão para carregar e descarregar o refrigerador de vinho.

Para evitar a contaminação do vinho, siga as seguintes instruções:

- Abrir a porta durante períodos de tempo longos pode provocar um aumento de temperatura significativo nos compartimentos do aparelho.
- Limpe regularmente as superfícies que entram em contacto com garrafas e sistemas de drenagem acessíveis.
- Limpe os depósitos de água se não tiverem sido usados durante 48 horas; enxague o sistema de água ligado a um abastecimento de água se a água não tiver sido extraída durante 5 dias.
- Se o aparelho de refrigeração for deixado vazio durante períodos de tempo longos, desligue, descongele, limpe, seque e deixe a porta aberta para evitar que se forme bolor dentro do aparelho.

- **AVISO:** Mantenha as aberturas de ventilação, no revestimento do aparelho ou na estrutura integrada, livres de obstruções.

- **AVISO:** Não utilize dispositivos mecânicos ou outros meios para acelerar o processo de descongelação, exceto os recomendados pelo fabricante.

- **AVISO:** Não danifique o circuito refrigerante.

- **AVISO:** Não use aparelhos elétricos no interior dos compartimentos para alimentos do aparelho, a não ser que sejam do tipo recomendado pelo fabricante.

Não guarde substâncias explosivas como, por exemplo, latas de aerossóis com um carburante inflamável, no interior deste aparelho.

Este aparelho destina-se a ser utilizado em meio doméstico e aplicações similares tais como

- áreas de cozinha para o pessoal em lojas, escritórios e outros ambientes de trabalho;
- quintas e por clientes em hotéis, motéis e outros ambientes de tipo residencial;
- ambientes de tipo alojamento e pequeno-almoço;
- aplicações de catering e idênticas não comerciais.
- **AVISO:** Para evitar um perigo devido à instabilidade do aparelho, este deve ser fixado de acordo com as instruções.

**NÃO TENTE LIGAR OU AUMENTAR O CABO EM QUALQUER CASO.**

## INSTRUÇÕES DE SEGURANÇA IMPORTANTES

### ⚡ AVISO ⚡

Para reduzir o risco de incêndio, choque elétrico ou lesões ao utilizar o aparelho, siga estas precauções básicas:

- Leia todas as instruções antes de utilizar o refrigerador de vinho.
- **PERIGO ou AVISO:** Risco de entalamento de crianças.  
O entalamento e a asfixia de crianças não são problemas do passado. Os aparelhos abandonados ou não utilizados continuam a ser perigosos... mesmo que "fiquem na garagem durante apenas alguns dias".
- **Antes de deitar fora o seu antigo refrigerador de vinho:** Remova a porta. Deixe as prateleiras na respetiva posição para que as crianças não possam facilmente subir para o seu interior.
- Nunca permita que as crianças operem, brinquem ou entrem no aparelho.
- Nunca limpe as peças do aparelho com fluidos inflamáveis. Os gases podem criar um risco de incêndio ou explosão.
- Não armazene nem utilize gasolina ou quaisquer outros vapores e líquidos inflamáveis nas proximidades deste ou de qualquer outro aparelho. Os gases podem criar um risco de incêndio ou explosão.
- **Se o refrigerante destes aparelhos for R600a, os artigos inflamáveis e explosivos não devem ser colocados dentro ou perto do armário, para evitar o risco de incêndio ou explosão.**



-Guarde estas instruções-



## INSTRUÇÕES DE INSTALAÇÃO

### ➤ Antes de utilizar o seu refrigerador de vinho

- Remova a embalagem exterior e interior.
- Antes de ligar o refrigerador de vinho à fonte de alimentação, deixe-o ficar na vertical durante cerca de 2 horas. Isto reduz a possibilidade de uma avaria no sistema de refrigeração devido ao manuseamento durante o transporte.
- Limpe a superfície interior com água morna e um pano macio.
- Ao eliminar o seu aparelho, escolha um local de eliminação autorizado.

### ➤ Instalação do seu refrigerador de vinho

- Este aparelho foi concebido para ser instalado de forma autónoma ou embutido (totalmente encastrável) (consulte o autocolante localizado na parte traseira deste aparelho).
- **Este aparelho destina-se exclusivamente ao armazenamento de vinho ou bebidas.**
- Coloque o refrigerador de vinho numa superfície suficientemente forte para o suportar quando estiver completamente carregado. Para nivelar o refrigerador de vinho, ajuste a perna de nivelamento frontal na parte inferior do refrigerador de vinho.
- Este aparelho utiliza um refrigerante inflamável. Portanto, a tubagem de refrigeração não pode sofrer danos durante o transporte. Coloque o refrigerador de vinho afastado da luz solar direta e de fontes de calor (fogão, aquecedor, radiador, etc.). A luz solar direta pode afetar o revestimento acrílico e as fontes de calor podem aumentar o consumo elétrico. Temperaturas ambiente extremamente frias também podem causar problemas de funcionamento da unidade.
- Evite colocar a unidade em áreas húmidas.
- Ligue o refrigerador de vinho a uma tomada de parede exclusiva e devidamente instalada. Não corte nem remova, sob qualquer circunstância, o terceiro pino (de terra) do cabo de alimentação. Quaisquer dúvidas relativas a alimentação e/ou ligação à terra deverão ser endereçadas a um eletricista certificado ou a um centro de assistência de produtos autorizado.

### ➤ Atenção

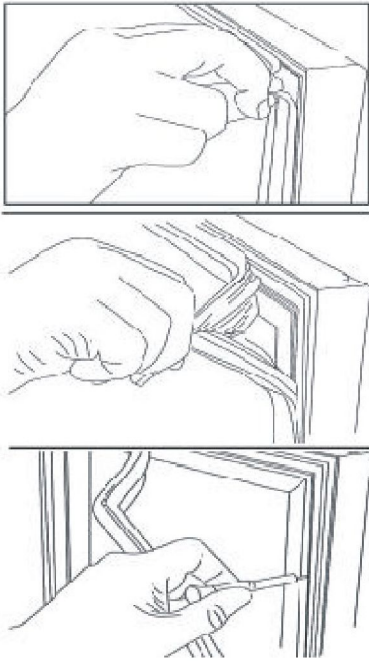
- Armazene o vinho em garrafas seladas;
- Não sobrecarregue o armário;
- Não abra a porta, a menos que necessário;
- Não cubra as prateleiras com folha de alumínio ou qualquer outro material que possa impedir a circulação de ar;
- Se o refrigerador de vinho não for utilizado durante períodos de tempo longos, é recomendável, após uma limpeza cuidadosa, deixar a porta entreaberta para permitir que o ar circule no interior do armário, a fim de evitar possíveis formações de condensação, bolor ou odores.

### ➤ Limites de temperatura ambiente

Este aparelho foi concebido para funcionar em temperaturas ambiente especificadas pela respetiva classe de temperatura indicada na placa de características.

Classe	Símbolo	Intervalo de temperaturas ambiente
Temperada alargada	SN	+50 °F a +90°F (+ 10 °C a + 32 °C)
Temperada	N	+ 60 °F a + 90 °F (+ 16 °C a + 32 °C)
Subtropical	ST	+ 60 °F a + 100 °F (+ 16 °C a + 38 °C)
Tropical	T	+ 60 °F a + 110 °F (+ 16 °C a + 43 °C)

## ➤ Instalação do puxador



1. Abra a porta e retire cuidadosamente a vedação apenas na área onde o puxador vai ser instalado.
2. Poderá ver dois parafusos dentro da porta.
3. Insira a tampa do parafuso no sentido da seta (apenas para porta totalmente em vidro e porta em aço inoxidável fino). Ver Fig. 1.
4. Rode o parafuso superior 3 ou 4 voltas e, em seguida, rode o parafuso inferior 3 ou 4 voltas para alinhar o puxador
5. Em alternativa, aperte o parafuso superior e inferior até nivelar o puxador face à ombreira da porta.
6. Pressione cuidadosamente a vedação da porta na sua posição original.

- ① Parafuso
- ② Tampas dos parafusos (colocadas na bolsa do manual)
- ③ Puxador
- ④ Porta

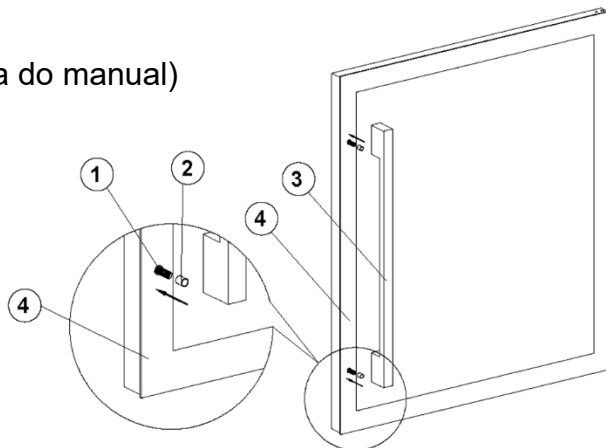


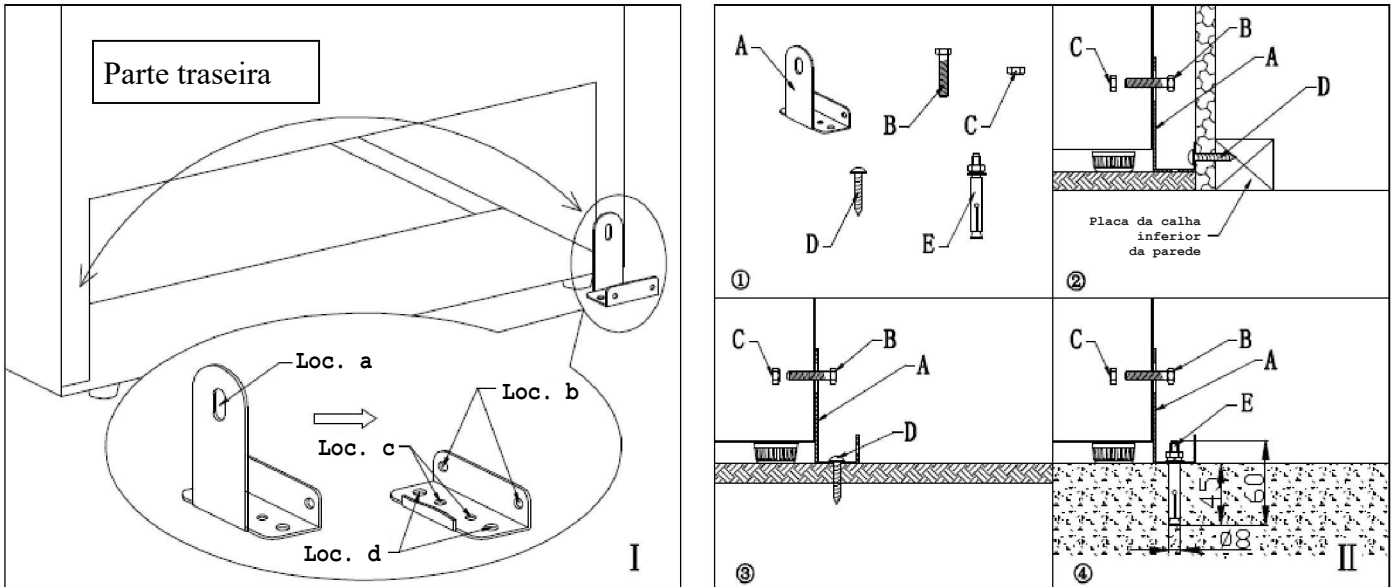
Fig. 1

### **CUIDADO:**

Não aperte demasiado os parafusos, pois pode danificar o puxador ou a porta.

## ➤ INSTRUÇÕES DE INSTALAÇÃO DO SUPORTE ANTI-INCLINAÇÃO

AVISO: Utilize o suporte anti-inclinação e siga as instruções abaixo no caso de instalação de FORMA AUTÓNOMA para evitar o perigo de INCLINAÇÃO da unidade!



### 1. Lista de peças do suporte anti-inclinação: (Fig. II ①)

- A: Suporte anti-inclinação (1 peça)
  - B: Parafuso sextavado (1 peça)
  - C: Porca sextavada (1pc)
  - D: Parafuso autorroscante (2 peças)
  - E: Parafuso de expansão (1 peça)
- Fixe o suporte com os parafusos fornecidos.

### 2. Instruções de montagem do suporte anti-inclinação: (Fig. I)

- Loc. A: Orifício de montagem fixa para a unidade
- Loc. B: Orifícios de montagem fixa para parede
- Loc. C: Orifícios de montagem fixa para piso de madeira
- Loc. D: Orifícios de montagem fixa para piso de betão

### 3. Passos de instalação do suporte anti-inclinação:

O suporte pode ser instalado na parte inferior esquerda OU na parte inferior direita da parte traseira da unidade. Pode escolher o lado mais conveniente para si.

IMPORTANTE: Determine a localização final do intervalo antes de tentar instalar o suporte.

É necessário escolher um dos três métodos de instalação.

#### 1. Instalação em PAREDE: (Fig. II ②)

Depois de confirmar o local de instalação, coloque o suporte no chão com Loc. B contra a parede, utilize D: Parafuso autorroscante (2 peças), alinhe Loc. B e fixe o suporte na parede.

Mova a unidade para alinhar com Loc. A do suporte, utilize B: Parafuso sextavado (1 peça) e C: Porca sextavada (1 peça) para fixar.

NOTA:

Os parafusos TÊM de entrar na placa da calha inferior de madeira. Se a parede tiver cavilhas metálicas ou materiais similares, deve utilizar a instalação no piso.

#### 2. Instalação em PISO DE MADEIRA: (Fig. II ③)

Depois de confirmar o local de instalação, coloque o suporte no piso de madeira, utilize D: Parafuso autorroscante (2 peças), alinhe Loc. C e fixe o suporte no piso de madeira.

Mova a unidade para alinhar com Loc. A do suporte, utilize B: Parafuso sextavado (1 peça) e C: Porca sextavada (1 peça) para fixar.

### 3. Instalação em PISO DE BETÃO: (Fig. II ④)

Depois de confirmar o local de instalação, escolha qualquer orifício de Loc. D para fixar o suporte no piso de betão.

Utilizando uma broca de betão, faça um orifício-guia de Ø8 mm com 45 ~ 55 mm de profundidade.

Utilize E: Coloque o parafuso de expansão (1 peça) no betão, retire a porca, a anilha de pressão e a anilha. Alinhe Loc. D para E: Parafuso de exposição (1 peça) e volte a colocar a porca, a anilha de pressão e a anilha para fixar no piso de betão.

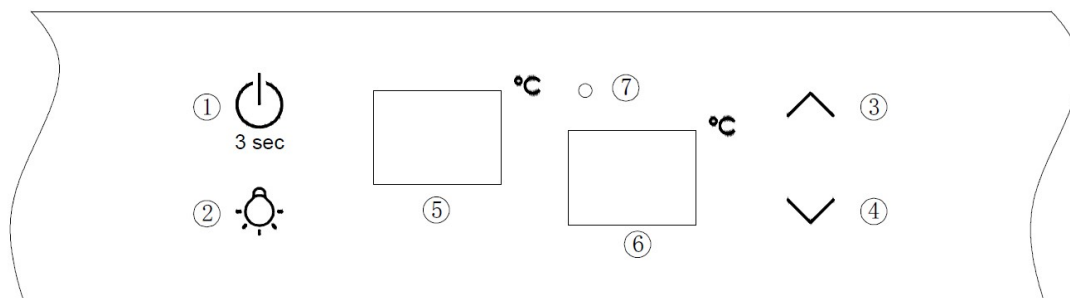
Mova a unidade para alinhar com Loc. A do suporte, utilize B: Parafuso sextavado (1 peça) e C: Porca sextavada (1 peça) para fixar.


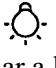
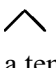

#### ATENÇÃO:

Verifique o suporte: Depois de instalar o suporte, tente aplicar uma força adequada para inclinar a unidade. Se a unidade não inclinar, isso significa que o suporte está montado com segurança, caso contrário, TEM de ser novamente instalado seguindo estas instruções.

## OPERAR O SEU REFRIGERADOR DE VINHO/BEBIDAS E DEFINIR O CONTROLO DE TEMPERATURA

### ➤ Instruções do sistema de controlo



- ① Botão "  "   
 Para controlar este aparelho, ligar/desligar (pressionar sem soltar estes botões durante aproximadamente 3 segundos).
- ② Botão "  "   
 Para controlar a luz interior, ligar/desligar.
- ③ Botão "  "   
 Para definir a temperatura da câmara superior.
- ④ Botão "  "   
 Para definir a temperatura da câmara inferior.
- ⑤ Janela do visor LED   
 Para definir a temperatura da câmara superior.
- ⑥ Janela do visor LED   
 Para definir a temperatura da câmara inferior.
- ⑦ Luz indicadora   
 Compressor no visor de funcionamento.

### ➤ Definição dos controlos de temperatura

- Ao pressionar "  $\wedge$  " ou "  $\vee$  " botão ", o sistema entra automaticamente no modo configurado no compartimento superior ou inferior. O LED vai piscar e apresentar a temperatura definida.

Pressione o botão uma vez; a temperatura diminuirá ou aumentará 1 °C. Ao exceder o valor mínimo que pode ser estabelecido, saltará automaticamente para o valor de temperatura ajustável mais alto. Depois de parar de pressionar o botão durante 5 segundos, o LED irá parar de piscar, voltando depois a mostrar a temperatura do compartimento superior ou inferior.

- Quando a unidade estiver desligada, o sistema voltará à temperatura de conformidade, definida na fábrica. A temperatura de conformidade é a seguinte:

Compartimento superior: 6 °C

Compartimento inferior: 12 °C

- Se pretender visualizar cada temperatura de definição interior, pressione o botão "Definir superior" ou "Definir inferior". O LED vai piscar e apresentar a temperatura de definição. Depois de parar de pressionar o botão durante 5 segundos, o LED irá parar de piscar, voltando depois a mostrar a temperatura real.

**Compartimento superior:** A definição da temperatura pode ser ajustada de 5 °C a 10 °C.

**Compartimento inferior:** A definição da temperatura pode ser ajustada de 10 °C a 18 °C.

### ➤ Alarme de temperatura

Se a temperatura no interior for superior a 23 °C, apresentará "HI" no painel de visualização e após uma hora o alarme soará. Isto indica que a temperatura no interior é muito alta. Se a temperatura no interior for inferior a 0 °C, apresentará "LO" no painel de visualização e ao mesmo tempo o alarme de avaria também está ativo.

### ➤ Função de memorização da temperatura

No caso de uma interrupção de energia, o refrigerador de vinho pode memorizar as definições de temperatura anteriores e, quando a energia regressar, a temperatura do refrigerador voltará à mesma temperatura definida antes da interrupção.

### ➤ Alarme de porta demasiado tempo aberta

Se se esquecer de fechar a porta ou se a porta não estiver completamente fechada, o alarme soará após 5 minutos. Feche a porta completamente e evite a perda de energia.

### ➤ Luz interior

Para reduzir o consumo de energia, a luz LED dentro do refrigerador de vinho desliga-se automaticamente ao fechar a porta. Se pretender que a luz LED fique permanentemente ligada, isso é possível. Pressione sem soltar a parte inferior de "LIGHT" (LUZ) durante 5 segundos até o visor mostrar "LP". Após 4 segundos, o visor voltará ao normal e a luz permanecerá ligada até ser desligada manualmente.

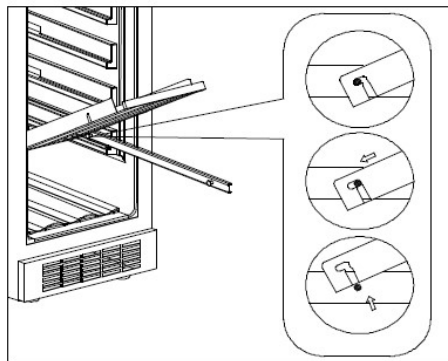
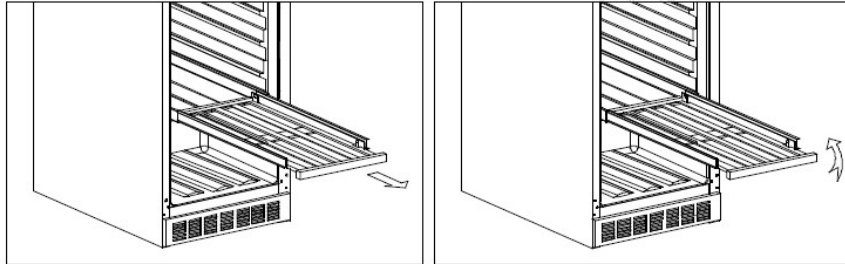
Se mudar de ideias e pretender poupar energia (recomendado), pressione sem soltar o botão "LIGHT" (LUZ) durante 5 segundos até o visor mostrar "LF". Após 4 segundos, o visor voltará ao normal, a luz acender-se-á ao abrir a porta e apagar-se-á ao fechar a porta.

➤ **Instruções relativas às prateleiras**

Não cubra as prateleiras com folha de alumínio ou qualquer outro material, uma vez que isto irá impedir a circulação de ar dentro do armário e pode afetar negativamente a temperatura interior do armário.

Para remover as prateleiras:

1. Estenda totalmente a prateleira.
2. Levanta a frente da prateleira.
3. Segurando a calha da prateleira, empurre a prateleira para dentro e, depois, para cima para soltá-la dos amortecedores traseiros.



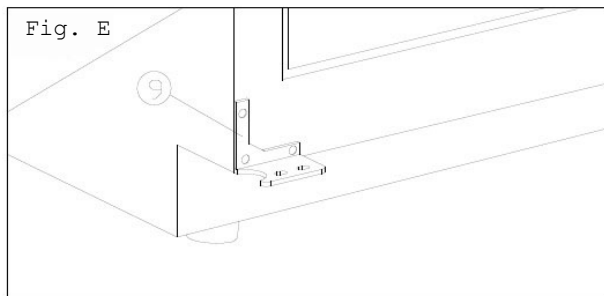
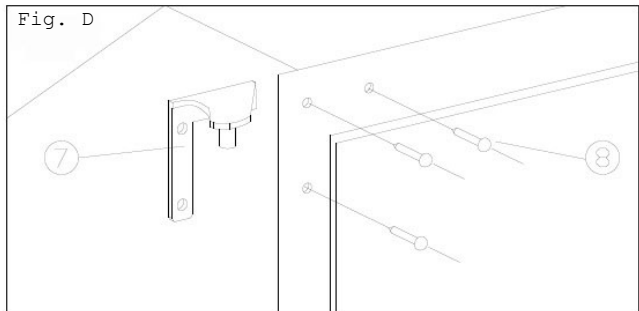
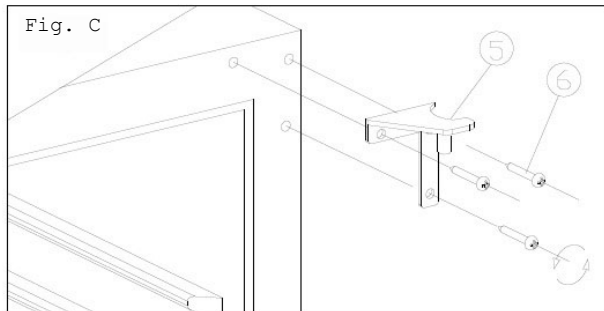
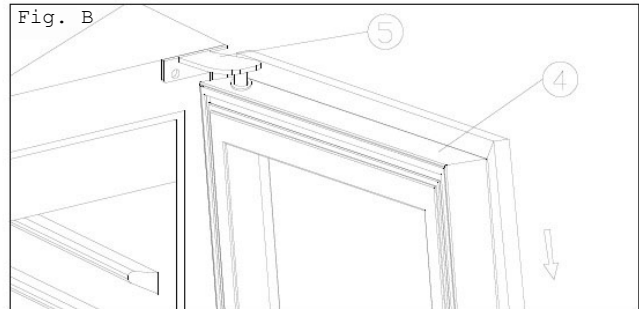
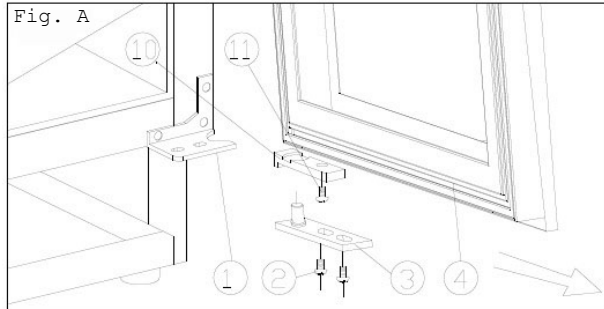
➤ **NOTA:**

- Se a unidade estiver desconectada, sem energia ou desligada, é necessário aguardar entre 3 a 5 minutos antes de reiniciar a unidade. Se tentar reiniciar antes deste período de tempo, o refrigerador de vinho/bebidas não começará a funcionar.
- Quando utilizar o refrigerador de vinho/bebidas pela primeira vez, ou reiniciar o refrigerador de vinho/bebidas depois de ter sido desligado por um longo período de tempo, pode existir uma variação de alguns graus entre a temperatura selecionada e a indicada no LED. Isso é normal e deve-se à duração do tempo de ativação. Assim que o refrigerador de vinho/bebidas estiver a funcionar durante algumas horas, tudo voltará ao normal.

## ➤ Como alterar a abertura da porta

Este aparelho tem portas reversíveis, mas é fornecido com uma porta de dobradiças com abertura para a direita. O kit de dobradiças com abertura para a esquerda é fornecido com a unidade (na caixa), caso pretenda inverter as dobradiças na sua unidade.

- |   |  |   |
|---|--|---|
| <b>1. Dobradiça inferior (direita)</b>    | <b>2. Parafusos</b>                    | <b>3. Eixo da porta</b>                 |
| <b>4. Porta</b>                           | <b>5. Dobradiça superior (direita)</b> | <b>6. Parafusos de dobradiça</b>        |
| <b>7. Dobradiça superior (esquerda)</b>   | <b>8. Tampa do orifício</b>            | <b>9. Dobradiça inferior (esquerda)</b> |
| <b>10. Dispositivo de limite da porta</b> | <b>11. Parafuso</b>                    |   |

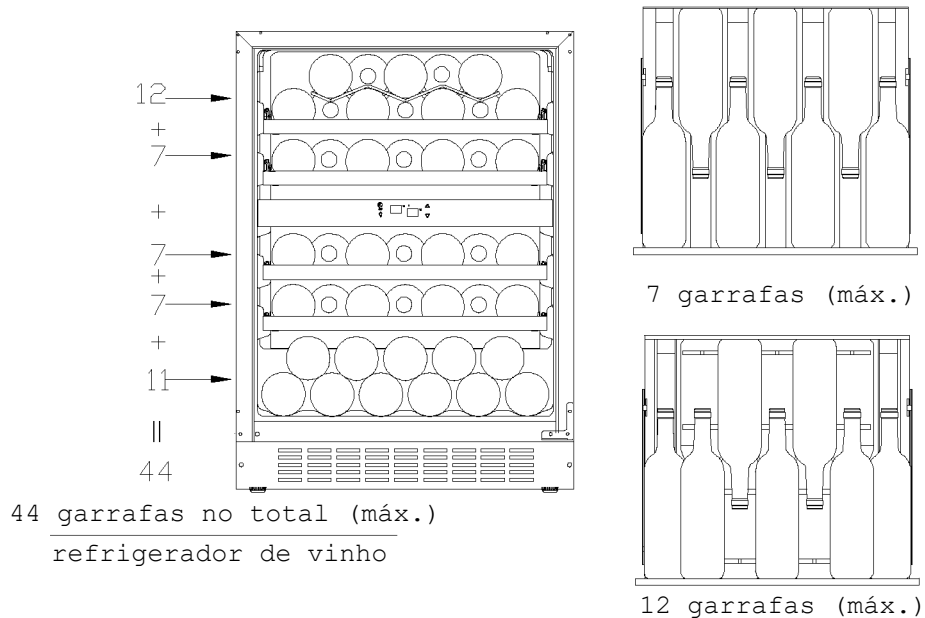


1. Abra a porta a um ângulo de 90 graus, retire os 2 parafusos (2) do eixo da porta inferior (3), remova a porta (4), retire a placa do eixo (3) da porta, (Fig. A).
2. Desaparafuse o parafuso (11) localizado por baixo da ombreira da porta e coloque-o no lado esquerdo da ombreira da porta. (Fig. A/B)
3. Retire os 3 parafusos (6) da dobradiça superior (direita) (5) e remova. (Fig. C)
4. Remova o pino decorativo (8) da parte superior esquerda do armário e coloque a dobradiça superior sobressalente (esquerda) (7) na parte superior esquerda do armário com 3 parafusos. (Fig. D)
5. Após o procedimento acima, coloque a dobradiça inferior sobressalente à esquerda (9). (Fig. E)
6. Instale e alinhe a porta.
7. Insira as tampas de plástico para cobrir os orifícios (8).

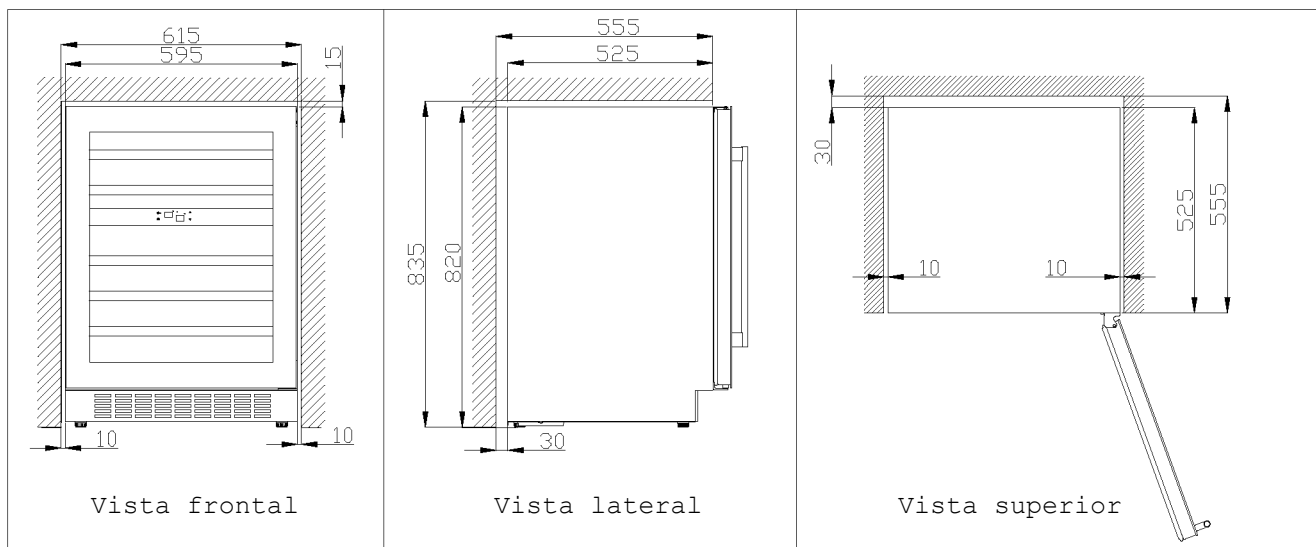
➤ **Diagrama de armazenamento**

De acordo com a configuração real do seu produto, verifique o diagrama de armazenamento.

Total: 44 garrafas (máx.)



➤ **Especificações de instalação para efeitos de integração**





## CUIDADOS E MANUTENÇÃO

### ➤ Limpar o seu refrigerador de vinho

- Desligue a fonte de alimentação, desligue o aparelho e remova todos os itens, incluindo prateleiras e suportes.
- Lave as superfícies interiores com água morna e uma solução de bicarbonato de sódio. A solução deve ser de cerca de 2 colheres de chá de bicarbonato de sódio num quarto de água.
- Lave as prateleiras com uma solução de detergente suave.
- Torça a água em excesso da esponja ou do pano antes de limpar a área dos controlos ou quaisquer peças elétricas.
- Lave o exterior do armário com água morna e um detergente líquido suave. Enxague bem e seque com um pano limpo seco.

### ➤ Falha de energia

- A maior parte das falhas de energia são resolvidas ao fim de algumas horas e não deverão afetar a temperatura do seu aparelho se reduzir o número de vezes que abre a porta. Se a energia estiver desligada durante um período de tempo mais longo, pode ser necessário tomar as medidas adequadas para proteger o conteúdo do aparelho.

### ➤ Período de férias

- **Férias curtas:** No caso de férias de menos de três semanas, deixe o refrigerador de vinho a funcionar.
- **Férias prolongadas:** Se o aparelho não for utilizado durante vários meses, remova todos os itens e desligue o aparelho. Limpe e seque o interior muito bem. Para impedir odores e a formação de bolor, deixe a porta ligeiramente aberta: bloqueie-a na posição de aberta, se necessário.

### ➤ Mover o seu refrigerador de vinho

- Remova todos os itens.
- Prenda com segurança todos os itens soltos (prateleiras) dentro do seu aparelho.
- Rode a perna ajustável até à base, para evitar danos.
- Ponha fita na porta para a manter fechada.
- Certifique-se de que o aparelho fica preso na posição vertical durante o transporte. Proteja também a parte exterior do aparelho com um cobertor ou peça similar.

### ➤ Dicas para poupança de energia

- O refrigerador de vinho deve estar localizado na área mais fria da divisão, afastado de aparelhos que produzem calor e da luz solar direta.

## PROBLEMAS COM O SEU REFRIGERADOR DE VINHO/BEBIDAS?


Pode resolver facilmente muitos problemas comuns do refrigerador de vinho/bebidas, poupando-lhe o custo de uma possível chamada de assistência. Tente as sugestões abaixo para ver se consegue resolver o problema antes de pedir assistência.

### GUIA DE RESOLUÇÃO DE PROBLEMAS

PROBLEMA	CAUSA POSSÍVEL
O refrigerador de vinho/bebidas não funciona.	Não está ligado à tomada. O aparelho está desligado. O disjuntor disparou ou um fusível fundiu.
O refrigerador de vinho/bebidas não está suficientemente frio.	Verifique a definição de controlo da temperatura. O ambiente exterior pode exigir uma definição mais elevada. A porta é aberta muitas vezes. A porta não está totalmente fechada. A vedação da porta não veda adequadamente.
Liga e desliga frequentemente.	A temperatura ambiente está mais quente do que o normal. Foram colocados muitos itens no refrigerador de vinho/bebidas. A porta é aberta muitas vezes. A porta não está totalmente fechada. O controlo de temperatura não foi definido corretamente. A vedação da porta não veda adequadamente.
A luz não funciona.	Não está ligado à tomada. O disjuntor disparou ou um fusível fundiu. A lâmpada queimou. O botão da luz está "DESLIGADO".
Vibrações.	Verifique se o refrigerador de vinho/bebidas está nivelado.
O refrigerador de vinho/bebidas está a fazer muito barulho.	O ruído de chocalhar pode vir do fluxo de refrigerante, o que é normal. Quando cada ciclo termina, pode ouvir sons de gorgolejar provocados pelo fluxo de refrigerante no refrigerador de vinho/bebidas. A contração e a expansão das paredes interiores pode provocar estalidos. O refrigerador de vinho/bebidas não está nivelado.
A porta não fecha adequadamente.	O refrigerador de vinho/bebidas não está nivelado. A porta foi invertida e não foi adequadamente instalada. A vedação está suja. As prateleiras estão fora do lugar.

#### Antes da eliminação do aparelho.

1. Retire a ficha principal da tomada principal.
2. Corte o cabo principal e descarte-o.

	Eliminação correta deste produto
	<p>O símbolo no produto, ou na respetiva embalagem, indica que este produto não pode ser tratado como lixo doméstico. Em vez disso, deve ser levado para o ponto de recolha de resíduos apropriado para a reciclagem de equipamento elétrico e eletrónico. Ao assegurar que este produto é eliminado devidamente, irá ajudar a evitar consequências potencialmente negativas para o ambiente e a saúde humana, que de outra forma poderiam ser causadas pelo manuseamento inadequado de resíduos deste produto. Para informações mais detalhadas sobre a reciclagem deste produto, entre em contacto com a câmara municipal da sua cidade, o seu serviço de eliminação de resíduos domésticos ou a loja onde comprou o produto.</p>

# **NÁVOD NA POUŽITIE CHLADNIČKY NA VÍNO**

**Č. MODELU.  
JG45B**

**Ďakujeme, že ste si kúpili našu chladničku na víno, dúfame, že náš pokročilý produkt dodá vášmu vínu inú radostnú chuť. Pred použitím si prosím prečítajte a dodržiavajte všetky bezpečnostné pokyny a návod na obsluhu.**

## VAROVANIE!

- Aby ste zabránili poškodeniu tesnenia dverí, pri vyťahovaní políc z koľajníc priehradky, dbajte na úplné otvorenie dvierok.
- Zariadenie musí byť umiestnené tak, aby bola zástrčka prístupná. Odpojte elektrický kábel. Presuňte chladničku na jej konečné miesto. Nehýbte chladničkou, keď je naložená vínom. Mohli by ste zdeformovať konštrukciu. Vínotéka by mala byť inštalovaná na vhodnom mieste, aby sa zabránilo dotyku kompresora rukou. Deti by mali byť pod dozorom, aby ste sa ubezpečili, že sa nehrajú so spotrebičom.
- Ak je poškodený napájací kábel, v záujme eliminácie akéhokoľvek rizika ho musí vymeniť výrobca, jeho servisný zástupca alebo rovnako kvalifikovaná osoba.

Tento spotrebič môžu používať deti od 8 rokov a staršie a osoby so zníženými fyzickými, zmyslovými alebo mentálnymi schopnosťami alebo s nedostatkom skúseností a znalostí, ak sú pod dohľadom aby si so spotrebičom nehrali.

Čistenie a údržbu deti bez dozoru nesmú vykonávať.

Deti vo veku od 3 do 8 rokov nesmú nakladať a vykladať obsah chladničky na víno.

Aby ste zabránili kontaminácii vína, dodržiavajte nasledujúce pokyny:

- Otvorenie dverí na dlhší čas môže spôsobiť výrazné zvýšenie teploty v priehradkách spotrebiča.
- Pravidelne čistite povrchy, ktoré môžu prísť do styku s fľaškami a dostupnými systémami na vypúšťanie vody.
- Nádrže na čistú vodu vyčistite, ak sa nepoužívali po dobu dlhšiu ako 48 hodín; prepláchnite vodný systém pripojený k vodovodnej prípojke, ak voda nebola odčerpaná viac než 5 dní.
- Ak chcete nechať chladiaci spotrebič dlhší čas prázdny, vypnite ho, rozmrazte, vyčistite, vysušte a dvere nechajte otvorené, aby vo vnútri spotrebiča nevznikali plesne.

- **VAROVANIE:** Udržujte vetracie otvory v kryte spotrebiča alebo v zabudovanej konštrukcii bez prekážok.

- **VAROVANIE:** Na urýchlenie odmrazovania nepoužívajte mechanické nástroje ani iné prostriedky s výnimkou tých, ktoré odporúča výrobca.

- **VAROVANIE:** Nepoškodte chladiaci okruh.

- **VAROVANIE:** V priestoroch spotrebiča, ktoré slúžia na skladovanie potravín, nepoužívajte elektrické spotrebiče, pokiaľ ich používanie neschválil výrobca.

V tomto spotrebiči neskladujte výbušné látky ako sú plechovky s aerosólmi, ktoré podporujú horenie.

Tento spotrebič je určený na používanie v domácnostiach a podobných aplikáciách, ako sú

- kuchynské priestory pre personál v obchodoch, úradoch a iných pracovných prostrediach;
- farmy a pre zákazníkov v hoteloch, moteloch a ďalších prostrediach rezidenčného typu;
- prostredie typu prenocovania s raňajkami;
- stravovacie služby a podobné, iné ako maloobchodné, priestory.
- **VAROVANIE:** Aby sa zabránilo nebezpečenstvu spôsobenému nestabilitou spotrebiča, musí byť upevnený v súlade s pokynmi.

**V ŽIADNOM PRÍPADE SA NEPOKÚŠAJTE ZAPOJIŤ ALEBO PREDLŽOVAŤ KÁBEL.**

## DÔLEŽITÉ BEZPEČNOSTNÉ POKYNY

### ⚡ VAROVANIE ⚡

Ak chcete znížiť riziko požiaru, úrazu elektrickým prúdom alebo zranenia pri používaní spotrebiča, postupujte podľa týchto základných preventívnych opatrení:

- Pred použitím chladničky na víno si prečítajte všetky pokyny.
- **NEBEZPEČENSTVO alebo VAROVANIE:** Riziko uviaznutia dieťaťa. Uviaznutie a udusenie detí nie sú problémami minulosti. Nevyžiadané alebo opustené spotrebiče sú stále nebezpečné... aj keď budú “len stáť” v garáži niekoľko dní”.
- **Skôr ako vyhodíte svoju starú chladničku na víno:** Odmontujte dvere. Nechajte police na mieste, aby deti nemohli ľahko vliezť dovnútra.
- Nikdy nedovoľte deťom obsluhovať, hrať sa alebo vliezť do vnútra spotrebiča.
- Nikdy nečistite časti spotrebiča horľavými kvapalinami. Výpary môžu predstavovať nebezpečenstvo požiaru alebo výbuchu.
- Neskladujte ani nepoužívajte benzín ani iné horľavé pary a kvapaliny v blízkosti tohto alebo iného spotrebiča. Výpary môžu predstavovať nebezpečenstvo požiaru alebo výbuchu.
- **Ak je chladivo týchto spotrebičov R600a, horľavé a výbušné predmety by sa nemali umiestňovať do skrine ani do jej blízkosti, aby nedošlo k požiaru alebo výbuchu.**



-Uložte si tieto inštrukcie-

## POKYNY TÝKAJÚCE SA INŠTALÁCIE

### ➤ Pred použitím chladničky na víno

- Odstráňte vonkajšie a vnútorné obaly.
- Pred pripojením chladničky na víno k zdroju energie ju nechajte stáť vo vzpriamenej polohe približne 2 hodiny. Tým sa zníži možnosť poruchy chladiaceho systému v dôsledku manipulácie počas prepravy.
- Vnútorný povrch vyčistite vlažnou vodou pomocou mäkkej handričky.
- Pre likvidáciu spotrebiča si vyberte autorizované miesto likvidácie.

### ➤ Inštalácia vašej chladničky na víno

- Tento spotrebič je určený na voľne stojacu inštaláciu alebo na zabudovanie (úplne zapustený) (pozrite si umiestnenie nálepky na zadnej strane tohto spotrebiča).
- **Tento spotrebič je určený výhradne na uskladnenie vína.**
- Chladničku na víno umiestnite na dostatočne pevnú podlahu, ktorá ju udrží pri plnom zaťažení. Ak chcete vyrovnať chladničku na víno, nastavte prednú vyrovnávaciu nohu v spodnej časti chladničky na víno.
- Tento spotrebič používa horľavé chladiivo. Počas prepravy nikdy nepoškodíte chladiace potrubie. Chladničku na víno umiestnite mimo dosahu priameho slnečného svetla a zdrojov tepla (sporák, ohrievač, radiátor atď.). Priame slnečné svetlo môže ovplyvniť akrylový povlak a zdroje tepla môžu zvýšiť spotrebu elektrickej energie. Aj mimoriadne chladné okolité teploty môžu spôsobiť, že spotrebič nebude správne fungovať.
- Neumiestňujte jednotku na vlhké miesta.
- Zapojte chladič vína do výhradnej, správne nainštalovanej, uzemnenej zásuvky. V žiadnom prípade neodstrihávajte ani neodstraňujte tretí (uzemňovací) kolík z napájacieho kábla. Akékoľvek otázky týkajúce sa napájania a/alebo uzemnenia by mali byť smerované na certifikovaného elektrikára alebo autorizované servisné stredisko.

### ➤ Pozor

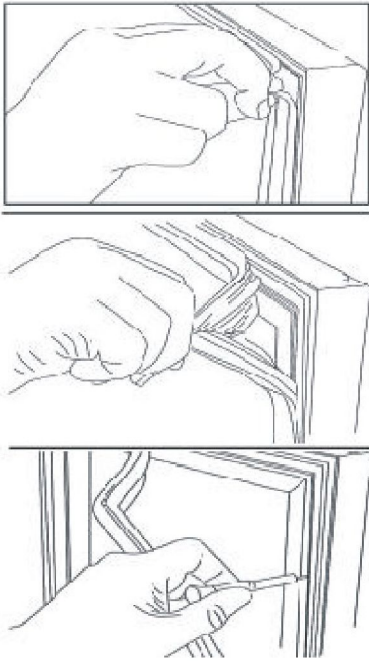
- Víno skladujte v uzatvorených fľašiach;
- Nepreťažujte skriňu;
- Neotvárajte dvere, pokiaľ to nie je nevyhnutné;
- Nezakrývajte police hliníkovou fóliou ani iným materiálom, ktorý by mohol brániť cirkulácii vzduchu;
- Ak sa chladnička na víno skladuje dlhodobo a bez použitia, odporúča sa po starostlivom vyčistení nechať dverka otvorené, aby vo vnútri skrinky mohol cirkulovať vzduch, aby sa zabránilo možným formám kondenzácie, plesní alebo zápachu.

### ➤ Limity okolitej teploty

Tento spotrebič je navrhnutý tak, aby pracoval pri teplotách okolia špecifikovaných jeho teplotnou triedou vyznačenou na štítku.

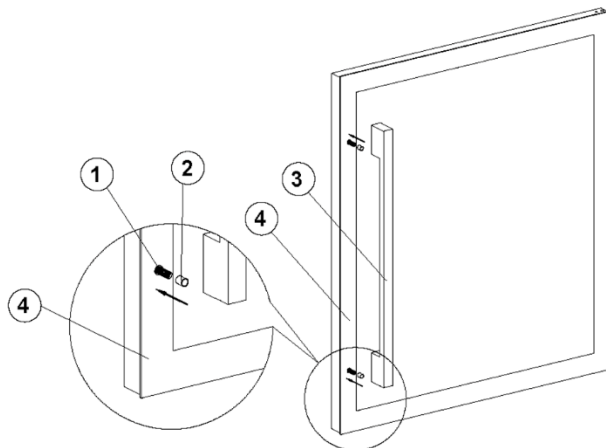
Trieda	Symbol	Rozsah teplôt okolia
Rozšírené mierne pásmo	SN	+50 °F až +90 °F (+ 10 °C až + 32 °C)
Teplota	N	+60 °F až +90 °F (+ 16 °C až +32 °C)
Subtropické pásmo	ST	+60 °F až +100 °F (+ 16 °C až +38 °C)
Tropické pásmo	T	+60 °F až +110 °F (+ 16 °C až +43 °C)

## ➤ Inštalácia rukoväte



1. Otvorte dveria a opatrne vytiahnite tesnenie dverí len v mieste, kde sa má namontovať rukoväť.
2. Vo vnútri dverí uvidíte dve skrutky.
3. Nasadte kryt skrutky v smere šípky (len pre plne sklenené dveria a tenké dveria z nehrdzavejúcej ocele). pozri obr. 1
4. Zaskrutkujte hornú skrutku na 3 alebo 4 závitov a potom zaskrutkujte dolnú skrutku na 3 alebo 4 závitov, aby ste vyrovnali rukoväť.
5. Prípadne utiahnite hornú a dolnú skrutku, až kým rukoväť nebude v jednej rovine s rámom dverí.
6. Opatrne zatlačte tesnenie dverí do pôvodnej polohy.

- ① Skrutka
- ② Kryt skrutiek (priložené vo vrecku)
- ③ Rukoväť
- ④ Dvere



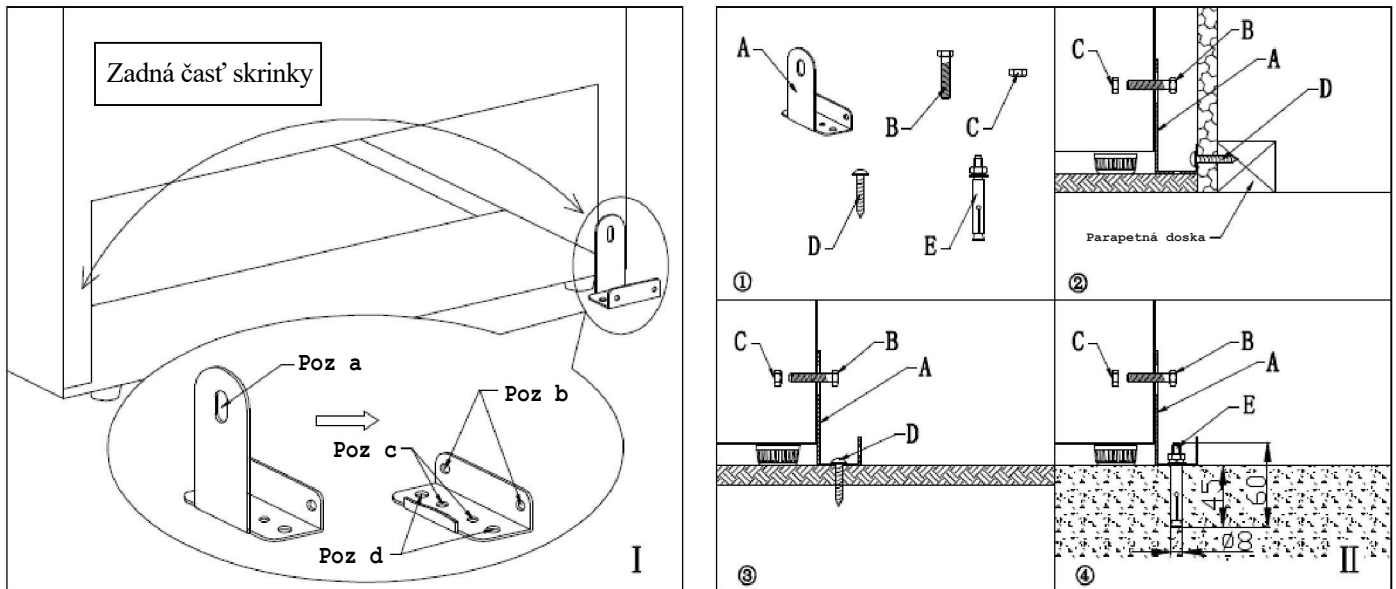
Obr. 1

### **POZOR:**

Skrutky príliš neťahajte, pretože by to mohlo spôsobiť poškodenie rukoväte alebo dverí.

## ➤ POKYNY NA INŠTALÁCIU KONZOLY PROTI PREVRÁTENIU

**VAROVANIE:** Pri voľnom státi používajte držiak proti prevráteniu a postupujte podľa nižšie uvedených pokynov, aby ste zabránili nebezpečnému prevráteniu jednotky!



### 1. Zoznam častí konzoly proti prevráteniu: (Obr. II ①)

- A: Držiak proti prevráteniu (1ks)
  - B: Šesťhranná skrutka (1ks)
  - C: Šesťhranná matica (1ks)
  - D: Samorezná skrutka (2 ks)
  - E: Rozširujúca skrutka (1 ks)
- Upevnite konzolu pomocou dodaných skrutiek.

### 2. Pokyny na upevnenie držiaka proti prevráteniu: (Obr. I)

- Poz A: Pevný montážny otvor pre jednotku
- Poz B: Pevné montážne držiaky na skutočnú stenu
- Poz C: Pevné montážne držiaky na drevenú podlahu
- Poz D: Pevné montážne držiaky na betónovú podlahu

### 3. Kroky inštalácie konzoly proti prevráteniu:

Držiak môže byť inštalovaný v ľavej spodnej ALEBO v pravej spodnej časti zadnej časti jednotky. Môžete si vybrať, ktorá strana je pre vás vhodná.

**DÔLEŽITÉ:** Pred inštaláciou konzoly určte konečné umiestnenie rozsahu inštalácie. Musíte si vybrať jeden z troch spôsobov inštalácie.

#### 1. INŠTALÁCIA NA STENU: (Obr. II ②)

Po potvrdení miesta inštalácie umiestnite konzolu na podlahu s Poz B oproti stene, použite D: Samoreznú skrutku (2 ks) zarovnajte s Poz B a zaistite držiak do steny.

Posuňte jednotku tak, aby bola zarovnaná s držiakom Poz A, použite B: Šesťhranná skrutka (1ks) a C: Šesťhranná matica (1ks) na upevnenie.

#### POZNÁMKA:

Skrutky MUSIA BYŤ zaskrutkované do drevenej parapetnej dosky. Ak stena obsahuje akékoľvek kovové časti alebo podobné materiály, potom sa musí použiť inštalácia na podlahu

#### 2. Inštalácia na DREVENÚ PODLAHU: (Obr. II ③)

Po potvrdení miesta inštalácie, umiestnite konzolu na drevenú podlahu, použite D: Samoreznú skrutku (2 ks) zarovnajte s Poz C a zaistite držiak do drevenej podlahy.



Presuňte jednotku tak aby bola zarovnaná s konzolou Poz A, použite B: Šesťhranná skrutka (1ks) a C: Šesťhranná matica (1ks) na upevnenie.

### 3. Montáž na BETÓNOVÚ PODLAHU: (Obr. II ④)

Po potvrdení miesta inštalácie, zvolte ľubovoľnú Poz D na zaistenie konzoly do betónovej podlahy Pomocou vrtáku do betónu, vyvrtajte Ø8 mm pilotný otvor hlboký 45~55 mm. Použitie E: Rozširujúcu skrutku (1 ks) vložte do betónu, vyberte maticu, pružnú podložku a plochú podložku. Zarovnajete Poz D k E:Rozširujúcej skrutke (1 ks) a vráťte maticu, pružnú podložku a plochú podložku na upevnenie na betónovú podlahu.

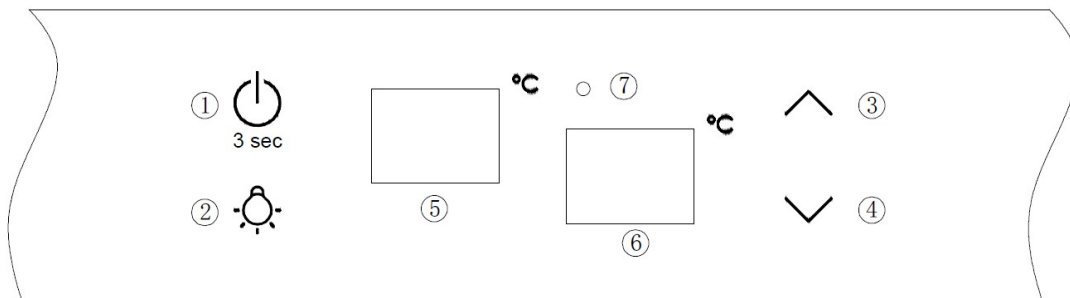
Presuňte jednotku tak aby bola zarovnaná s konzolou Poz A, použite B: Šesťhranná skrutka (1ks) a C: Šesťhranná matica (1ks) na upevnenie.



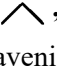
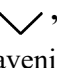
#### **VAROVANIE:**

Skontrolujte držiak: Po inštalácii držiaka sa pokúste použiť vhodnú intenzitu sily na prevrátenie jednotky. Ak sa jednotka nepreklopí, znamená to, že držiak je namontovaný bezpečne, alebo sa MUSÍ znovu namontovať podľa týchto pokynov.

## OBSLUHA CHLADNIČKY NA VÍNO/NÁPOJ A NASTAVENIE REGULÁCIE TEPLoty

### ➤ Pokyny pre riadiaci systém



- ① “  ” Tlačidlo  
Ak chcete ovládať tento spotrebič, zapnite/vypnite tlačidlo (stlačte a podržte toto tlačidlo približne 3 sekundy).
- ② “  ” Tlačidlo  
Ak chcete ovládať vnútorné svetlo, zapnite/vypnite tlačidlo.
- ③ “  ” Tlačidlo  
Nastavenie teploty hornej komory.
- ④ “  ” Tlačidlo  
Nastavenie teploty spodnej komory.
- ⑤ Okno LED displeja  
Nastavenie teploty hornej komory.
- ⑥ Okno LED displeja  
Nastavenie teploty spodnej komory.
- ⑦ Svetelná kontrolka  
Zobrazenie kompresora v prevádzke.

### ➤ Nastavenie ovládačov teploty

- Po stlačení tlačidla “  $\wedge$  ” alebo “  $\vee$  ” sa systém automaticky prepne do režimu nastavenia v hornej alebo dolnej priehradke. LED dióda bude blikať a zobrazí nastavenú teplotu.

Po stlačení tlačidla sa teplota zníži alebo zvýši o 1 °C. Pri prekročení minimálnej hodnoty, ktorú je možné stanoviť, automaticky skočí na najvyššiu nastaviteľnú hodnotu teploty. Po prerušení stlačenia tlačidla na 5 sekúnd, LED dióda prestane blikať a zobrazí sa teplota hornej alebo dolnej priehradky.

- Po odpojení jednotky sa systém vráti na prednastavenú teplotu, ktorú nastavil výrobca. Prednastavená teplota je uvedená nižšie:

Horná priehradka: 6° C

Spodná priehradka: 12° C

- Ak chcete odhaliť každé nastavenie vnútornej teploty, stlačte tlačidlo „Nastaviť hornú“ alebo „Nastaviť dolnú“, LED kontrolka začne blikať a zobrazí nastavenú teplotu. Po prerušení stlačenia tlačidla na 5 sekúnd, LED dióda prestane blikať a zobrazí sa aktuálna teplota.

**Horná priehradka:** Nastavenie teploty je možné upraviť v rozsahu od 5 °C do 10 °C..

**Spodná priehradka:** Nastavenie teploty je možné upraviť v rozsahu od 10 °C do 18 °C.

### ➤ Alarm teploty

Ak je vnútorná teplota vyššia ako 23 °C, na paneli displeja sa zobrazí „HI“ a po jednej hodine zaznie alarm / bzučiak. To znamená, že vnútorná teplota je príliš vysoká. Ak je vnútorná teplota nižšia ako 0°C, na paneli displeja sa zobrazí „LO“ a zároveň sa aktivuje indikátor poruchy a alarmu.

### ➤ Funkcia opätovného vyvolania teploty

V prípade prerušenia napájania si môže chladnička na víno zapamätať predchádzajúce nastavenia teploty, a keď sa napájanie obnoví, teplota chladničky sa vráti späť na rovnakú teplotu nastavenia ako pri vypnutom napájaní.

### ➤ Alarm otvorenia dverí

Keď zabudnete zatvoriť dvere alebo dvere nie sú úplne zatvorené, po 5 minútach sa spustí bzučiak. Úplne zatvorte dvere a vyhnite sa strate chladu.

### ➤ Vnútorné svetlo

Aby sa znížila spotreba energie, LED svetlo v tejto chladničke na víno sa po zatvorení dverí automaticky vypne. Ak chcete, aby LED svetlo svietilo nepretržite, je to možné. Stlačte a podržte tlačidlo „LIGHT“ (SVETLO) na 5 sekúnd, na displeji sa zobrazí „LP“. Po 4 sekundách sa displej vráti do normálu a svetlo zostane rozsvietené, kým nebude ručne vypnuté.

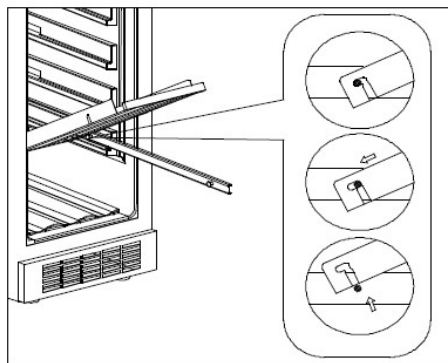
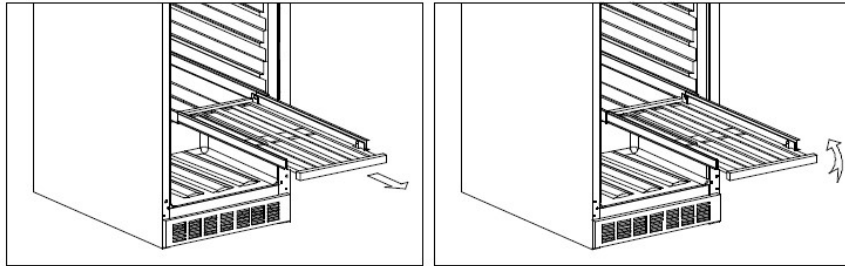
Ak chcete vrátiť nastavenie späť a šetriť energiu (odporúčané), stlačte a podržte tlačidlo „LIGHT“ (SVETLO) na 5 sekúnd, na displeji sa zobrazí „LF“. Po 4 sekundách sa displej vráti do normálu, keď sa otvoria dvere, svetlo sa rozsvieti a keď sa dvere zatvoria, svetlo zhasne.

### ➤ Pokyny k policiam

Police nezakrývajte hliníkovou fóliou alebo iným materiálom, pretože by to bránilo prúdeniu vzduchu vo vnútri skrinky a mohlo by to nepriaznivo ovplyvniť teplotu vo vnútri skrine.

Odstránenie políc:

1. Úplne vytiahnite policu.
2. Zdvihnite prednú časť poličky.
3. Držte dráhu police, zatlačte policu dovnútra a potom nahor, aby sa uvoľnila zo zadných tlmičov.



### ➤ POZNÁMKA:

- V prípade vypnutia zariadenia, odpojenia od elektrickej siete alebo výpadku prúdu musíte počkať 3 až 5 minút, než budete môcť zariadenie znova spustiť. Ak sa pokúsíte reštartovať pred týmto oneskorením, chladnička vína/nápoja sa nespustí.
- Keď po prvýkrát začnete používať chladničku na víno/nápoj alebo keď reštartujete chladničku vína/nápoja po dlhom vypnutí, môže dôjsť k rozdielu niekoľkých stupňov medzi teplotou, ktorú vyberiete, a teplotou, ktorá je uvedená na displeji LED. Je to normálne a je to spôsobené dĺžkou času aktivácie. Akonáhle chladnička vína/nápoja je spustená niekoľko hodín, všetko sa vráti do normálu.

## ➤ Ako zmeniť otváranie dverí

Tento spotrebič má obojstranné dvere, ale dodáva sa s pravými závesnými dverami. Sada ľavého závesu sa dodáva s jednotkou (v krabici), ak chcete obrátiť záves na jednotke.

**1. Dolný záves (pravý)**

**4. Dvere**

**7. Horný záves (ľavý)**

**10. Zariadenie na obmedzenie dverí**

**2. Skrutky**

**5. Horný záves (pravý)**

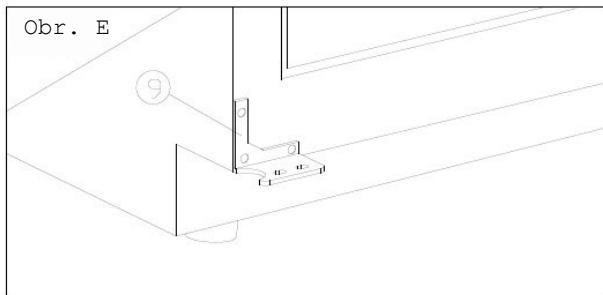
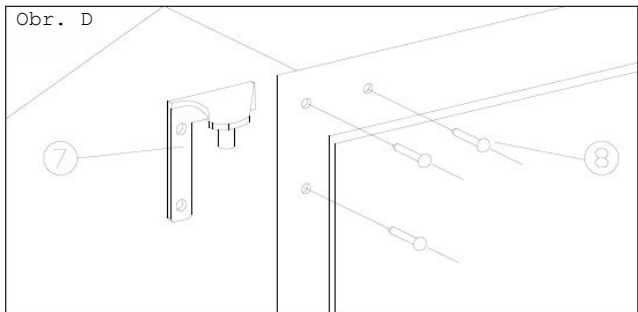
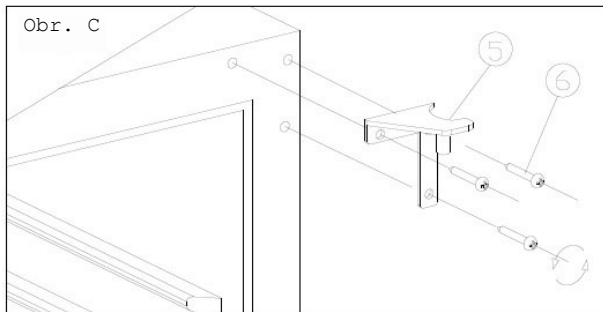
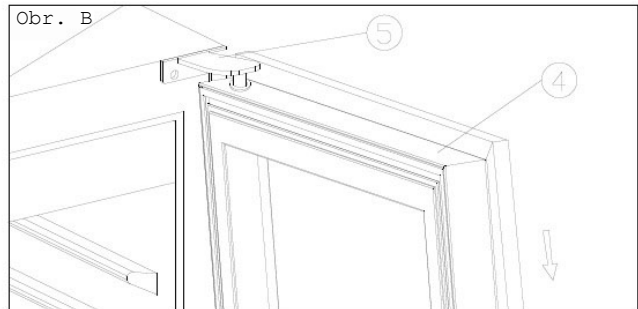
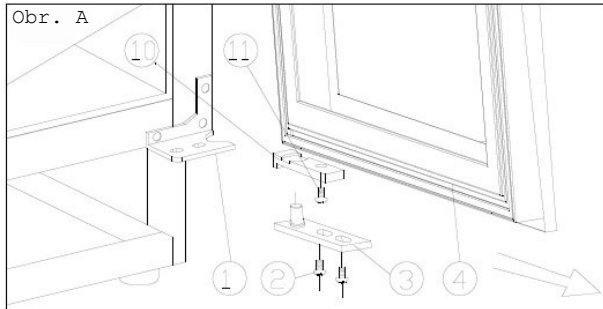
**8. Kryt otvoru**

**11. Skrutka**

**3. Os dverí**

**6. Skrutky závesov**

**9. Spodný záves (ľavý)**

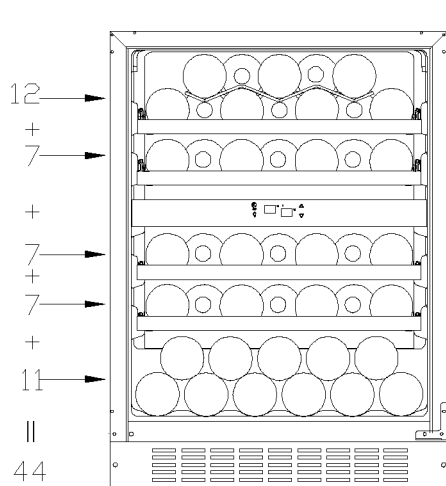


1. Otvorte dvere do uhla 90 stupňov, vyberte 2 skrutky (2) zo spodnej osi dverí (3), vyberte dvere (4), Odstráňte dosku osi (3) z dverí, (obr. A).
2. Odskrutkujte skrutku (11) umiestnenú pod rámom dverí a zariadením na obmedzenie dverí (10), premiestnite ju na ľavú stranu rámu dverí. (Obr. A/B)
3. Vyberte 3 skrutky závesu (6) z horného závesu (pravého) (5) a odstráňte ho. (Obr. C)
4. Odstráňte ozdobný klinček (8) z ľavej hornej časti skrinky a namontujte náhradný horný záves (vľavo) (7) do ľavej hornej časti skrinky pomocou 3 skrutiek. (Obr. D)
5. Podľa vyššie uvedeného postupu namontujte náhradný spodný záves vľavo (9). (Obr. E)
6. Namontujte a zarovnajte dvere.
7. Na zakrytie otvorov (8) nasad'te plastové kryty.

➤ **Schéma skladovania**

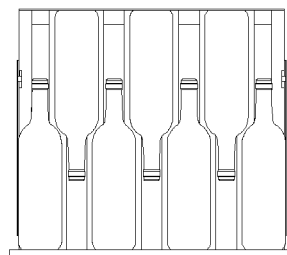
V závislosti od aktuálnej konfigurácie vášho produktu skontrolujte príslušný diagram skladovania.

Celkom: 44 fliaš (max)

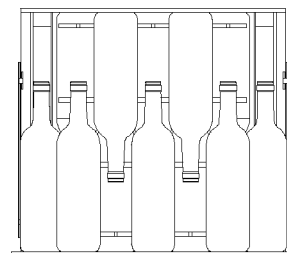


spolu 44 fliaš (max.)

Chladnička na víno na víno

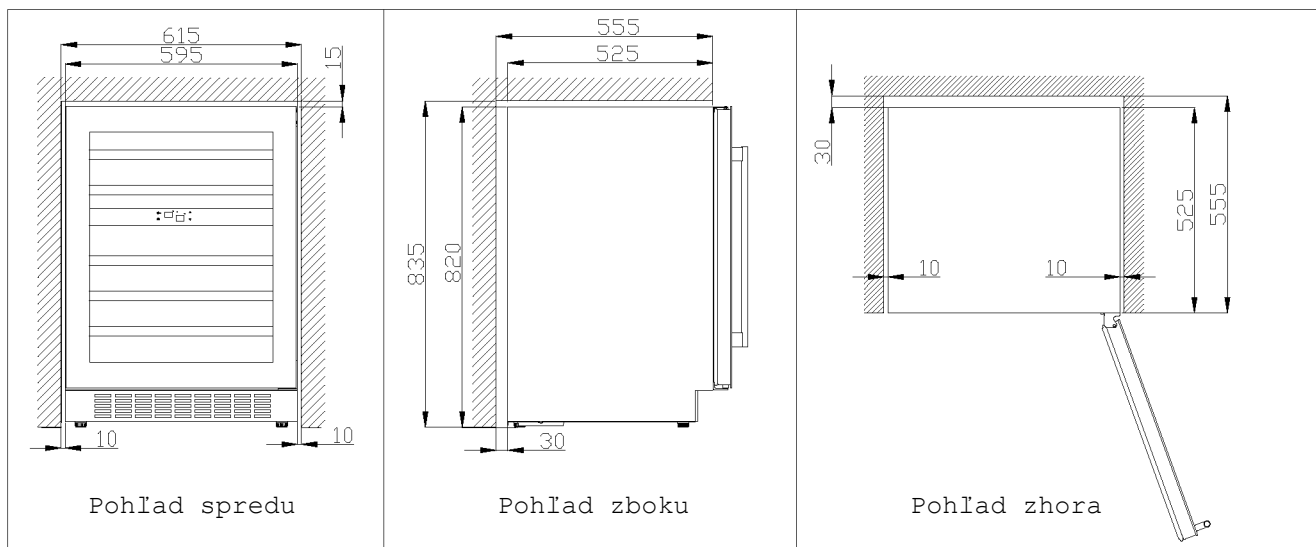


7 fliaš (max.)



12 fliaš (max.)

➤ **Špecifikácie inštalácie na zabudovanie**



## STAROSTLIVOSŤ A ČISTENIE

### ➤ Čistenie chladničky na víno

- Vypnite napájanie, odpojte spotrebič a odstráňte všetky predmety vrátane polic a stojana.
- Vnútorne povrchy umyte teplou vodou a roztokom jedlej sódy. Roztok by mal byť zložený asi z 2 polievkových lyžíc jedlej sódy na liter vody.
- Police umyte jemným čistiacim roztokom.
- Pri čistení priestoru ovládacích prvkov alebo akýchkoľvek elektrických častí vyžmýkajte zo špongie alebo utierky prebytočnú vodu.
- Vonkajšiu skrinku umyte teplou vodou a jemným tekutým čistiacim prostriedkom. Dobre opláchnite a utrite do sucha čistou mäkkou handričkou.

### ➤ Výpadok napájania

- Väčšina výpadkov napájania sa opraví v priebehu niekoľkých hodín a nemala by ovplyvniť teplotu vášho spotrebiča, ak minimalizujete počet otvorených dverí. Ak bude napájanie dlhšiu dobu vypnuté, musíte podniknúť správne kroky na ochranu svojho obsahu.

### ➤ Čas dovolenky

- **Krátke dovolenky:** Chladničku na víno nechajte v prevádzke počas dovolenky kratšej ako tri týždne.
- **Dlhé dovolenky:** Ak sa spotrebič nebude používať niekoľko mesiacov, odstráňte všetky predmety a spotrebič vypnite. Dôkladne vyčistite a vysušte interiér. Aby ste zabránili zápachu a rastu plesní, nechajte dvere mierne otvorené: v prípade potreby ich zablokujte.

### ➤ Presun chladničky na víno

- Odstráňte všetky položky.
- Bezpečne prilepte všetky voľné predmety (police) vo vnútri spotrebiča.
- Otočte nastaviteľnú nohu smerom nahor k základni, aby nedošlo k poškodeniu.
- Prelepte dvere páskou.
- Počas prepravy sa uistite, že spotrebič zostáva bezpečný vo zvislej polohe. Vonkajšiu časť spotrebiča chráňte pomocou prikrývky alebo podobným materiálom.

### ➤ Tipy na úsporu energie

- Chladnička na víno by mala byť umiestnená v najchladnejšej časti miestnosti, mimo spotrebičov produkujúcich teplo a mimo priameho slnečného svetla.

## PROBLÉMY S CHLADNIČKOU NA VÍNO/NÁPOJ?


Mnoho bežných problémov s chladničkou na víno/nápoj môžete vyriešiť jednoducho, čím ušetríte náklady na prípadný servisný hovor. Predtým, ako zavoláte servisnému pracovníkovi, vyskúšajte nižšie uvedené návrhy a zistíte, či môžete problém sami vyriešiť.

### SPRIEVODCA RIEŠENÍM PROBLÉMOV

PROBLÉM	MOŽNÁ PRÍČINA
Chladnička na víno/nápoje nefunguje.	Spotrebič nie je pripojený. Spotrebič je vypnutý. Vypol sa istič alebo sa spálila poistka.
Chladnička na víno/nápoje nie je dostatočne studená.	Skontrolujte nastavenie regulátora teploty. Vonkajšie prostredie môže vyžadovať vyššie nastavenie teploty. Dvere sa otvárajú príliš často. Dvere nie sú úplne zatvorené. Tesnenie dverí nie je správne usadené.
Často sa zapína a vypína.	Teplota v miestnosti je vyššia ako zvyčajne. Do chladničky na víno/nápoj bolo pridané veľké množstvo obsahu. Dvere sa otvárajú príliš často. Dvere nie sú úplne zatvorené. Regulátor teploty nie je správne nastavený. Tesnenie dverí nie je správne usadené.
Svetlo nefunguje.	Spotrebič nie je pripojený. Vypol sa istič alebo sa spálila poistka. Žiarovka sa spálila. Tlačidlo svetla je „OFF“ (vypnuté).
Vibrácie.	Skontrolujte, či je chladnička na víno/nápoje vyrovnaná.
Zdá sa, že chladnička na víno/nápoje vydáva príliš veľký hluk.	Hrkanie môže byť spôsobené prúdením chladiva, čo je normálne. Na konci každého cyklu môžete počuť bublavé zvuky spôsobené prúdením chladiva v chladničke na víno/nápoje. Zmršťovanie a rozťahovanie vnútorných stien môže spôsobovať pukanie a praskanie. Chladnička vína/nápojov nie je vyrovnaná.
Dvere sa správne nezatvoria.	Chladnička vína/nápojov nie je vyrovnaná. Dvere boli otočené a nesprávne namontované. Tesnenie je špinavé. Police nie sú na svojom mieste.

#### Pred likvidáciou spotrebiča.

1. Elektrickú zástrčku odpojte z elektrickej zásuvky.
2. Odrežte a zlikvidujte napájací kábel.

	Správna likvidácia tohto výrobku
	<p>Tento symbol na výrobku alebo jeho balení označuje, že sa s ním nesmie zaobchádzať ako s komunálnym odpadom. Namiesto toho by ste ho mali odovzdať na príslušnom zbernom mieste na recykláciu elektrických a elektronických zariadení. Zabezpečením správnej likvidácie tohto výrobku pomôžete predísť možným negatívnym dôsledkom pre životné prostredie a ľudské zdravie, ktoré by inak mohli byť spôsobené nevhodným postupom pri jeho likvidácii. Podrobnejšie informácie o recyklácii tohto výrobku získate na príslušnom miestnom úrade, v zberných surovinách alebo v predajni, kde ste si výrobok zakúpili.</p>

# **HANDLEIDING VOOR WIJNKOELER**

MODELNR.  
**JG45B**

**Bedankt voor het kopen van onze wijnkoeler. We hopen dat ons geavanceerde product uw wijn een extra vreugdevolle smaak zal geven. Lees voor gebruik alle veiligheidsvoorschriften en gebruiksaanwijzingen en volg ze op.**



## WAARSCHUWING!

- Om beschadiging van de deurafdichting te voorkomen, moet de deur volledig geopend zijn wanneer u planken uit de rails trekt.
- Het apparaat moet zo worden geplaatst dat de stekker bereikbaar is. Maak het elektrische snoer los. Verplaats uw kast naar zijn definitieve locatie. Verplaats uw kast niet als er wijn in zit. De behuizing kan dan vervormen. De wijnkast moet op een geschikte plaats worden geïnstalleerd om te voorkomen dat de compressor met de hand wordt aangeraakt.
- Houd kinderen in de gaten, om te voorkomen dat zij met het apparaat spelen.
- Als het netsnoer beschadigd is, moet het worden vervangen door de fabrikant, diens servicevertegenwoordiger of een vergelijkbaar gekwalificeerde persoon, om gevaar te voorkomen.

Dit apparaat kan worden gebruikt door kinderen vanaf 8 jaar en personen met beperkte fysieke, zintuiglijke of geestelijke vermogens of gebrek aan ervaring en kennis, mits zij onder toezicht staan of niet met het apparaat spelen. Het schoonmaken en het onderhoud mag niet door kinderen worden uitgevoerd als er geen toezicht is.

Kinderen van 3 tot 8 jaar mogen de wijnkoeler niet vullen en legen.

Volg de volgende instructies op om besmetting van wijn te voorkomen:

- Het langere tijd open houden van de deur kan leiden tot een aanzienlijke verhoging van de temperatuur in de compartimenten van het apparaat.
- Reinig oppervlakken die in contact kunnen komen met flessen en toegankelijke afvoersystemen regelmatig.
- Maak waterreservoirs schoon als ze 48 uur niet zijn gebruikt. Spoel het watersysteem dat is aangesloten op een watertoevoer als er gedurende 5 dagen geen water is getapt.
- Als het koelapparaat langere tijd leeg wordt gelaten, moet u het uitschakelen, ontdooien, reinigen en drogen en de deur openzetten om te voorkomen dat er zich in het apparaat schimmel ontwikkelt.
- **WAARSCHUWING:** Zorg ervoor dat de ventilatieopeningen in de behuizing van het apparaat of in de ingebouwde constructie open blijven.
- **WAARSCHUWING:** Gebruik geen mechanische apparaten of andere middelen om het ontdooien te versnellen, behalve als deze door de fabrikant worden aanbevolen.
- **WAARSCHUWING:** Beschadig het koelcircuit niet.
- **WAARSCHUWING:** Gebruik geen elektrische apparaten in de bewaarruimten voor levensmiddelen van het apparaat, tenzij deze van het type zijn dat door de fabrikant wordt aanbevolen. Sla geen explosieve stoffen, zoals spuitbussen met een brandbaar drijfgas, op in dit apparaat. Dit apparaat is bedoeld voor huishoudelijk gebruik of voor soortgelijke toepassingen, zoals:
  - personeelskeukens in winkels, kantoren en andere werkomgevingen;
  - op boerderijen en door gasten van hotels, motels en andere woonomgevingen;
  - in bed-and-breakfast-omgevingen;
  - voor catering en dergelijke toepassingen die niet voor de kleinhandel zijn.
- **WAARSCHUWING:** Om gevaar vanwege onstabiele van het apparaat te vermijden, moet dit volgens de instructies worden bevestigd.

**PROBEER IN GEEN GEVAL DE KABEL AAN TE SLUITEN OF TE VERLENGEN.**

## BELANGRIJKE VEILIGHEIDSINSTRUCTIES

### ⚡WAARSCHUWING⚡

Volg deze basisvoorzorgen om het risico van brand, elektrische schok of letsel bij het gebruik van uw apparaat te beperken:

- Lees alle instructies voordat u de wijnkoeler gebruikt.
- **GEVAAR** of **WAARSCHUWING**: Risico dat kinderen opgesloten kunnen raken. Beknelling en verstikking van kinderen zijn geen problemen uit het verleden. Weggegooide of achtergelaten apparaten zijn nog steeds gevaarlijk . . . zelfs als ze "maar een paar dagen in de garage staan".
- **Voordat u uw oude wijnkoeler weggooit**: Verwijder de deur. Laat de planken op hun plaats zitten, zodat kinderen er niet gemakkelijk in kunnen klimmen.
- Laat kinderen nooit het apparaat bedienen, ermee spelen of erin kruipen.
- Reinig nooit onderdelen van het apparaat met ontvlambare vloeistoffen. De dampen kunnen brandgevaar of een explosie veroorzaken.
- Bewaar of gebruik geen benzine of andere ontvlambare dampen en vloeistoffen in de nabijheid van dit of enig ander apparaat. De dampen kunnen brandgevaar of een explosie veroorzaken.
- **Als het koelmiddel van deze apparaten R600a is, mogen er geen ontvlambare en explosieve voorwerpen in of bij de kast worden geplaatst, om te voorkomen dat er brand ontstaat of dat de apparatuur explodeert.**



**-Bewaar deze instructies-**

## INSTALLATIE-INSTRUCTIES

### ➤ Voordat u uw wijnkoeler gebruikt

- Verwijder de buitenste en binnenste verpakking.
- Laat de wijnkoeler ongeveer 2 uur rechtop staan voordat u hem op het stroomnet aansluit. Dit verkleint de kans op een storing in het koelsysteem als gevolg van de behandeling tijdens het vervoer.
- Maak de binnenkant schoon met lauw water en een zachte doek.
- Kies voor het weggooien van uw apparaat een erkende afvalverwerker.

### ➤ Installatie van uw wijnkoeler

- Dit apparaat is ontworpen voor vrijstaande installatie of voor inbouw (volledig ingebouwd) (zie de sticker op de achterzijde van dit apparaat).
- **Dit apparaat is uitsluitend bedoeld voor het bewaren van wijn of dranken.**
- Plaats uw wijnkoeler op een vloer die sterk genoeg is om hem te dragen wanneer hij helemaal vol zit. Om uw wijnkoeler waterpas te zetten, stelt u de voorste stelpoot op de onderkant van de wijnkoeler af.
- Dit apparaat gebruikt ontvlambaar koelmiddel. Zorg er dus altijd voor dat de koelleidingen niet beschadigd raken tijdens het transport. Plaats de wijnkoeler uit de buurt van direct zonlicht en warmtebronnen (kachel, verwarming, radiator, enz.). Direct zonlicht kan de acryllaag aantasten en warmtebronnen kunnen het elektriciteitsverbruik verhogen. Zeer koude omgevingstemperaturen kunnen er ook voor zorgen dat het toestel niet naar behoren werkt.
- Plaats het apparaat niet in vochtige ruimtes.
- Steek de stekker van de wijnkoeler in een exclusief, goed geaard stopcontact. Knip of verwijder in geen geval de derde (aardings-)pool van het netsnoer af. Alle vragen betreffende stroom en/of aarding moeten worden gericht aan een erkende elektricien of een erkend servicecentrum van de producten.

### ➤ Let op

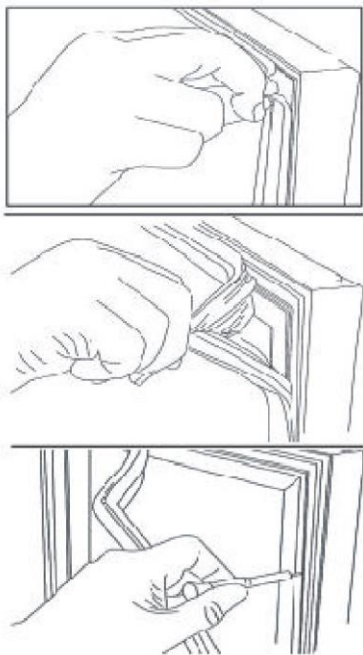
- Bewaar wijn in verzegelde flessen;
- Overbelast de kast niet;
- Open de deur niet, tenzij het nodig is;
- Dek de planken niet af met aluminiumfolie of ander materiaal dat de luchtcirculatie kan verhinderen;
- Als de wijnkoeler lange tijd niet wordt gebruikt, is het raadzaam om na een zorgvuldige reiniging de deur op een kier te zetten, zodat de lucht in de kast kan circuleren, om mogelijke vorming van condens, schimmel of geuren te voorkomen.

### ➤ Limieten voor de omgevingstemperatuur

Dit apparaat is ontworpen om te functioneren bij de omgevingstemperaturen die zijn aangegeven door de temperatuurklasse op het typeplaatje.

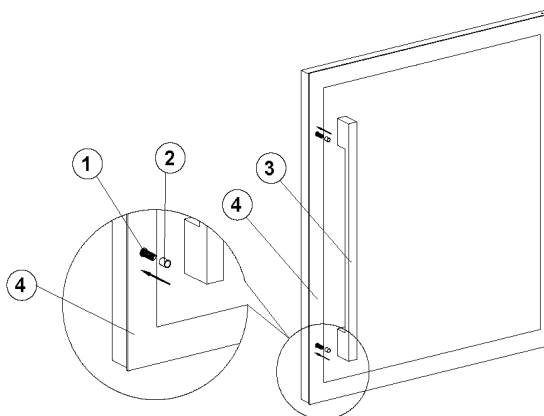
Klasse	Symbool	Omgevingstemperatuurbereik
Uitgebreid gematigd	SN	+ 50°F tot + 90°F (+ 10°C tot + 32°C)
Gematigd	N	+ 60°F tot + 90°F (+ 16°C tot + 32°C)
Subtropisch	ST	+ 60°F tot + 100°F (+ 16°C tot + 38°C)
Tropisch	T	+ 60°F tot + 110°F (+ 16°C tot + 43°C)

➤ **De handgreep installeren**



1. Open de deur en trek de deurpakking voorzichtig naar buiten, alleen op de plaats waar de handgreep moet worden geïnstalleerd.
2. U ziet twee schroeven in de deur.
3. Plaats het schroefdeksel in de richting van de pijl (alleen voor volglasdeur en smalle roestvrijstalen deur). zie Afb. 1
4. Draai de bovenste schroef 3 of 4 maal rond, en draai dan de onderste schroef 3 of 4 maal rond om het handvat uit te lijnen
5. U kunt ook de bovenste en onderste schroef vastdraaien totdat de handgreep gelijk ligt met het frame van de deur.
6. Druk de deurpakking voorzichtig terug op zijn plaats.

- ① Vastschroeven
- ② Schroefdeksels (bevestigd aan de zak van de handleiding)
- ③ Handgreep
- ④ Deur



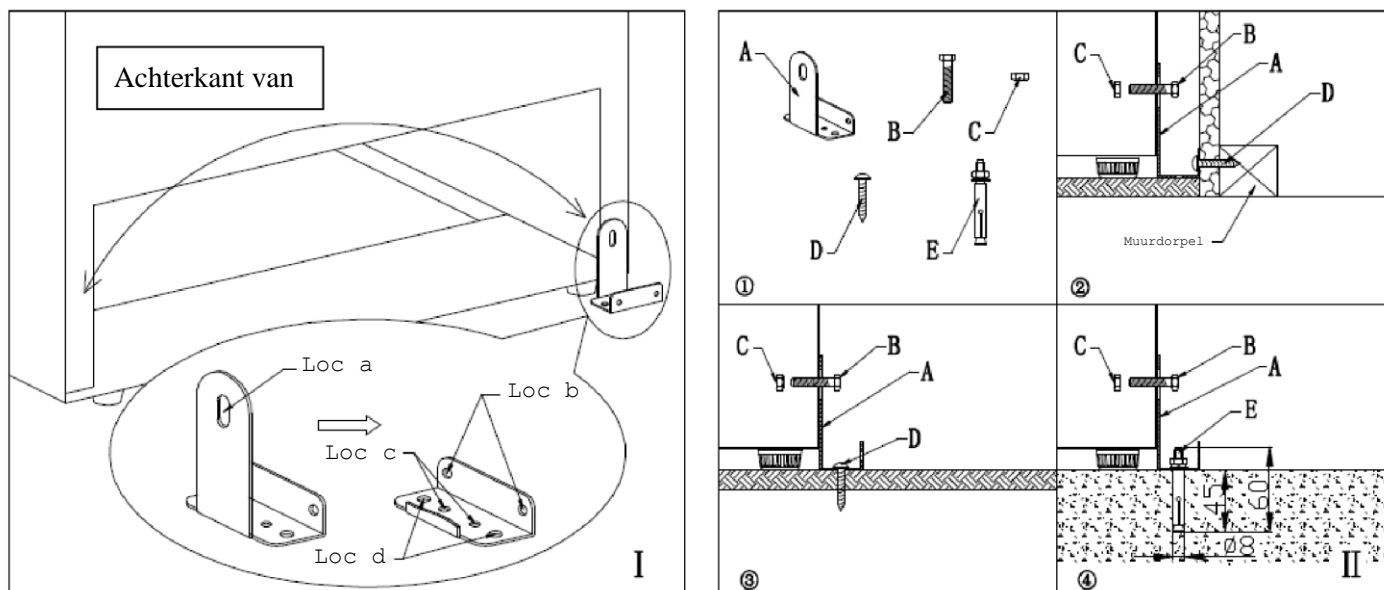
Afb. 1

**VOORZICHTIG:**

Draai de schroeven niet te vast aan, want dat kan schade veroorzaken aan de handgreep of aan de deur.

## ➤ INSTALLATIE-INSTRUCTIES ANTI-KANTELBEUGEL

**WAARSCHUWING:** Gebruik de anti-kantelbeugel en volg onderstaande instructies wanneer de wijnkast **VRIJSTAAND** is, om te voorkomen dat het toestel **KANTEL**t en gevaarlijk wordt!



### 1. Onderdelenlijst anti-kantelbeugel: (Afb. II ①)

A: Anti-kantelbeugel (1 st.)

B: Zeskantbout (1 st.)

C: Zeskantmoer (1 st.)

D: Zelftappende schroef (2 st.)

E: Expansieschroef (1 st.)

Zet de beugel vast met de bijgeleverde schroeven.

### 2. Instructies bevestigingspunten anti-kantelbeugel: (Afb. I)

Loc A: Vast montagegat voor eenheid

Loc B: Vaste bevestigingspunten voor aan de wand

Loc C: Vaste bevestigingspunten voor houten vloer

Loc D: Vaste bevestigingspunten voor betonnen vloer

### 3. Installatiestappen anti-kantelbeugel:

De beugel kan linksonder OF rechtsonder aan de achterkant van het apparaat worden geïnstalleerd. U kunt kiezen welke kant u het beste uitkomt.

**BELANGRIJK:** Bepaal de definitieve plaats van het toestel voordat u probeert de beugel te installeren. U moet onder installatiemethode één van de drie manieren kiezen.

#### 1 Installatie aan de WAND: (Afb. II②)

Na bevestiging van de installatieplaats, plaatst u de beugel op de vloer met Loc B tegen de wand, gebruik D: Zelftappende schroef (2 st) lijn Loc B uit en zet de beugel vast in de wand.

Verplaats het apparaat om het uit te lijnen met de beugel Loc A, gebruik B: Zeskantbout (1 st.) en C: Zeskantmoer (1 st.) om het te bevestigen.

#### OPMERKING:

De schroeven **MOETEN** in een houten dorpel komen. Als de muur metalen balken of soortgelijke materialen bevat, moet de vloerinstallatie worden gebruikt

## 2. Installatie op HOUTEN VLOER: (Afb. II ③)

Na bevestiging van de installatieplaats, plaatst u de beugel op de houten vloer, gebruik D: Zelftappende schroef (2 st.) om Loc C uit te lijnen en zet de beugel vast in de houten vloer.

Verplaats het apparaat om het uit te lijnen met de beugel Loc A, gebruik B: Zeskantbout (1 st.) en C: Zeskantmoer (1 st.) om het te bevestigen.

## 3. Installatie op BETONNEN VLOER: (Afb. II ④)

Kies na bevestiging van de installatieplaats, een willekeurig bevestigingspunt van Loc D om de beugel in de betonnen vloer vast te zetten

Boor met een betonboor  $\Phi 8\text{mm}$  het bevestigingspunt voor, 45~55mm diep. Gebruik E: Expansieschroef (1 st.), breng aan in het beton, verwijder de moer, veerring en sluitring. Lijn Loc D uit met E: Expansieschroef (1 st.) en plaats de moer, veerring en sluitring terug om op de betonnen vloer te bevestigen.

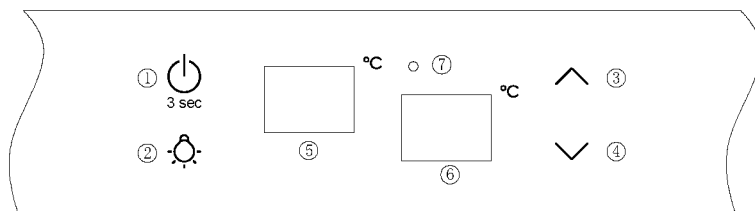
Verplaats het apparaat om het uit te lijnen met de beugel Loc A, gebruik B: Zeskantbout (1 st.) en C: Zeskantmoer (1 st.) om het te bevestigen.


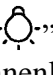
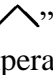
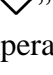
### LET OP:

Controleer de beugel: Probeer na het installeren van de steun met gepaste kracht om het apparaat te kantelen. Als het apparaat niet kantelt, betekent dit dat de beugel goed gemonteerd is; anders MOET deze opnieuw worden geïnstalleerd volgens deze instructies.

## UW WIJNKOELER/DRANKENKOELER BEDIENEN EN DE TEMPERATUURREGELING INSTELLEN

### ➤ Instructie besturingssysteem



- ① Toets “ 3 sec”  
Om dit apparaat te aan/uit te zetten (houd deze knoppen ongeveer 3 seconden ingedrukt).
- ② Toets “”  
Om het binnenlicht aan/uit te zetten.
- ③ Toets “”  
Om de temperatuur van het bovenste gedeelte in te stellen.
- ④ Toets “”  
Om de temperatuur van het onderste gedeelte in te stellen.
- ⑤ LED-scherm  
Om de temperatuur van het bovenste gedeelte in te stellen.
- ⑥ LED-scherm  
Om de temperatuur van het onderste gedeelte in te stellen.
- ⑦ indicatielampje  
Weergave compressor in bedrijf.

### ➤ De temperatuurregeling instellen

- Als u op de toets " $\wedge$ " of " $\vee$ " drukt, gaat het systeem automatisch naar de instelmodus in het bovenste of onderste compartiment. De led knippert en toont de ingestelde temperatuur. Druk eenmaal op de toets, de temperatuur daalt of stijgt met 1 °C. Wanneer de minimumwaarde die kan worden vastgesteld, wordt overschreden, springt hij automatisch naar de hoogste instelbare temperatuurwaarde. Nadat u de toets 5 seconden lang niet hebt ingedrukt, stopt het led-cijfer met knipperen en wordt de temperatuur van het bovenste of onderste compartiment weer weergegeven.
- Nadat het apparaat is losgekoppeld, zal het systeem terugkeren naar de standaardtemperatuur, die door de fabriek is ingesteld. De standaardtemperatuur zoals hieronder:
  - Bovenste compartiment: 6 °C
  - Onderste compartiment: 12 °C
- Als wilt zien wat de ingestelde binnentemperaturen zijn, druk dan op de toets "Ingesteld boven" of "Ingesteld onder"; de led gaat knipperen en de temperatuur wordt weergegeven. Nadat u de toets 5 seconden lang niet hebt ingedrukt, stopt het led-cijfer met knipperen en wordt de daadwerkelijke temperatuur weer weergegeven.

**Bovenste compartiment:** De temperatuur kan worden ingesteld van 5°C tot 10°C.  
**Onderste compartiment:** De temperatuur kan worden ingesteld van 10°C tot 18°C.

### ➤ Temperatuuralarm

Als de temperatuur binnen hoger is dan 23 °C, verschijnt "HI" op het display, en na een uur klinkt het alarm/de zoemer. Dit geeft aan dat de temperatuur binnen te hoog is. Als de temperatuur binnen lager is dan 0 °C, verschijnt "LO" op het display en is tegelijkertijd het alarm en de storingsindicator actief.

### ➤ Functie temperatuurherinnering

In het geval van een stroomonderbreking kan de wijnkoeler de vorige temperatuurinstellingen onthouden, en wanneer de stroom wordt hersteld, gaat de temperatuur van de koeler terug naar dezelfde instelling als bij het uitschakelen.

### ➤ Alarm Deur te lang open

Wanneer u vergeet de deur te sluiten of wanneer de deur niet volledig gesloten is, zal de zoemer na 5 minuten alarm slaan. Sluit de deur volledig om te voorkomen dat er koude-energie verloren gaat.

### ➤ Intern licht

Om het energieverbruik te verminderen, schakelt het ledlicht in deze wijnkast automatisch uit wanneer de deur wordt gesloten. Als u wilt dat de ledverlichting blijft branden, is dat mogelijk. Houd de toets "VERLICHTING" 5 seconden ingedrukt; "LP" verschijnt op het display. Na 4 seconden keert het display terug naar normaal en het licht blijft branden totdat het handmatig wordt uitgeschakeld.

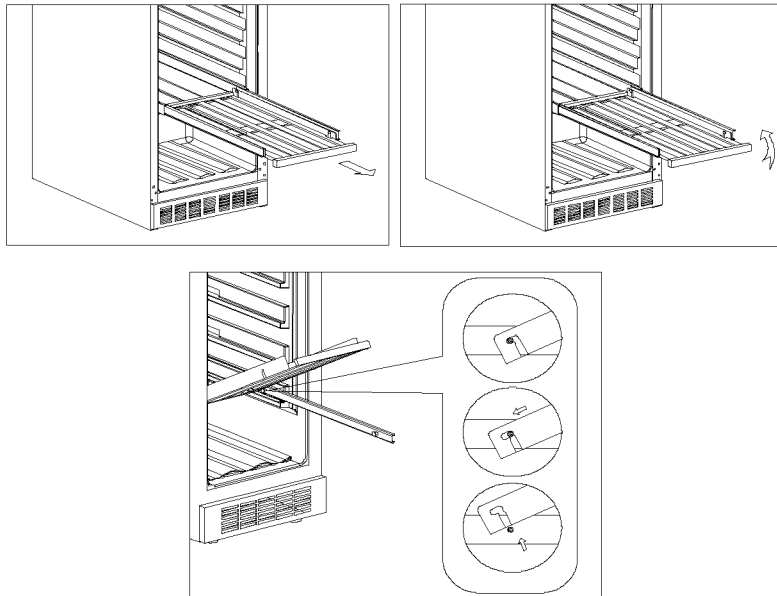
Als u dit wilt terugdraaien en energie wilt besparen (aanbevolen), houdt u de toets "VERLICHTING" 5 seconden ingedrukt; op het display verschijnt "LF". Na 4 seconden keert het display terug naar normaal, het lampje brandt bij geopende deur en het lampje gaat uit bij gesloten deur.

➤ **Instructie voor de planken**

Dek de planken niet af met aluminiumfolie of ander materiaal, want dat belemmert de luchtstroom in de kast en kan de temperatuur in de kast nadelig beïnvloeden.

Om de planken te verwijderen:

1. Schuif de plank volledig uit.
2. Til de voorkant van de plank op.
3. Houd de plankrail vast, duw de plank naar binnen en vervolgens naar boven om hem los te maken van de dempers aan de achterkant.



➤ **OPMERKING:**

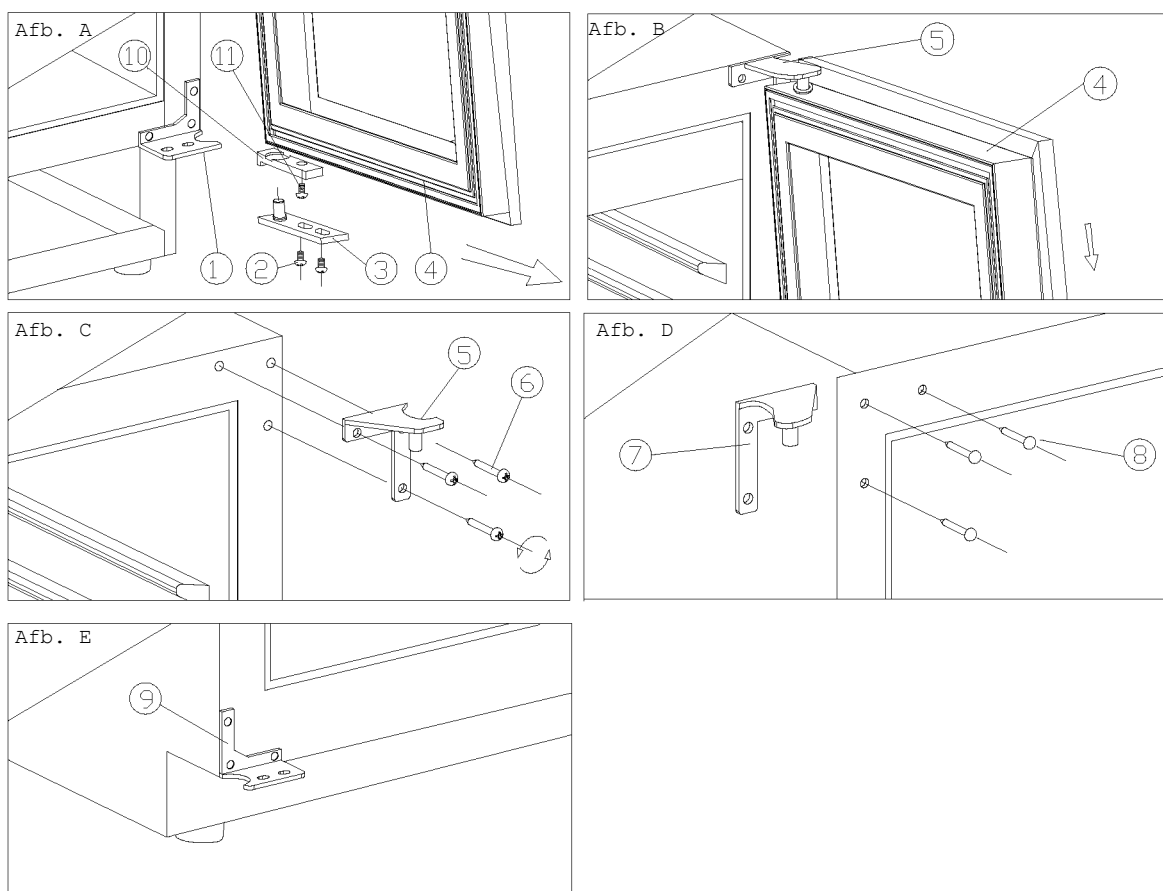
- Als het apparaat wordt losgekoppeld, de stroom uitvalt of als het apparaat wordt uitgeschakeld, moet u 3 tot 5 minuten wachten voordat u het opnieuw opstart. Als u eerder dan dat probeert te herstarten, zal de wijnkoeler/drankenkoeler niet starten.
- Wanneer u de wijnkoeler/drankenkoeler voor het eerst gebruikt of de wijnkoeler/drankenkoeler opnieuw opstart nadat deze lange tijd uitgeschakeld is geweest, kan er een verschil van enkele graden zijn tussen de temperatuur die u selecteert en de temperatuur die op het led-display wordt aangegeven. Dit is normaal en komt door de lengte van de activeringstijd. Zodra de wijnkoeler/drankenkoeler enkele uren heeft gewerkt, is alles weer normaal.



## ➤ De deuropening veranderen

Dit apparaat heeft omkeerbare deuren, maar wordt geleverd met de scharnieren aan de rechterkant. De kit voor scharnieren aan de linkerkant wordt bij het apparaat geleverd (in de doos), mocht u de scharnieren op uw apparaat willen omdraaien.

- |                                       |                                       |                                      |
|---------------------------------------|---------------------------------------|--------------------------------------|
| <b>1. Onderste scharnier (rechts)</b> | <b>2. Schroeven</b>                   | <b>3. Deuras</b>                     |
| <b>4. Deur</b>                        | <b>5. Bovenste scharnier (rechts)</b> | <b>6. Scharnierschroeven</b>         |
| <b>7. Bovenste scharnier (links)</b>  | <b>8. Gatafdekking</b>                | <b>9. Onderste scharnier (links)</b> |
| <b>10. Deurbegrenzer</b>              | <b>11. Schroef</b>                    |                                      |

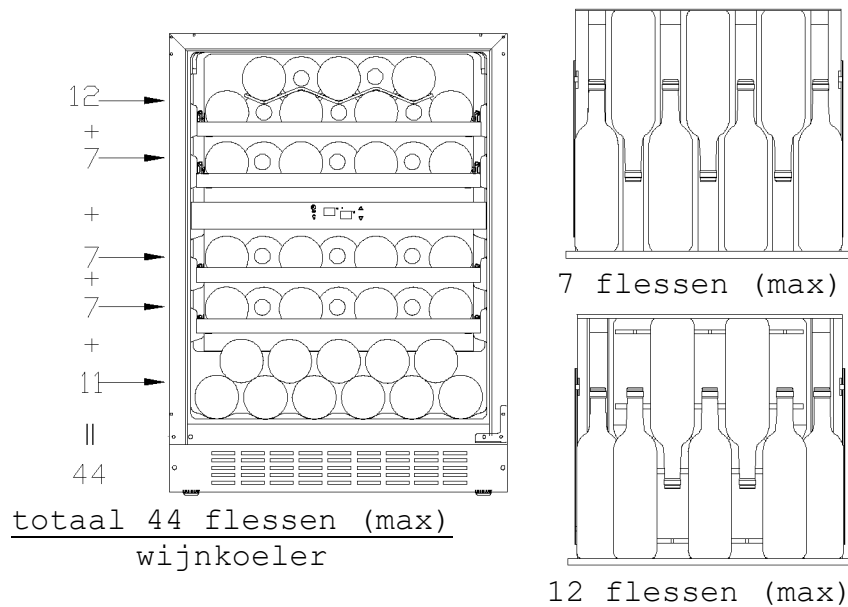


1. Open de deur tot een hoek van 90 graden, verwijder de 2 schroeven (2) van de onderste deuras (3), verwijder de deur (4), verwijder de asplaat (3) van de deur, (Afb. A).
2. Draai de schroef (11) onder het deurframe en de begrenzer (10) los, en plaats deze aan de linkerkant van het deurframe. (Afb. A/B)
3. Verwijder de 3 scharnierschroeven (6) uit het bovenste scharnier (rechts) (5) en verwijder het. (Afb. C)
4. Verwijder de decoratieve spijker (8) van de linker bovenkant van de kast en installeer het reserve-bovenste scharnier (Links) (7) aan de linker bovenkant van de kast met 3 schroeven. (Afb. D)
5. Monteer volgens bovenstaande procedure het reserve-onderste scharnier links (9). (Afb. E)
6. Installeer de deur en lijn deze uit.
7. Breng de plastic doppen aan om de gaten af te dekken (8).

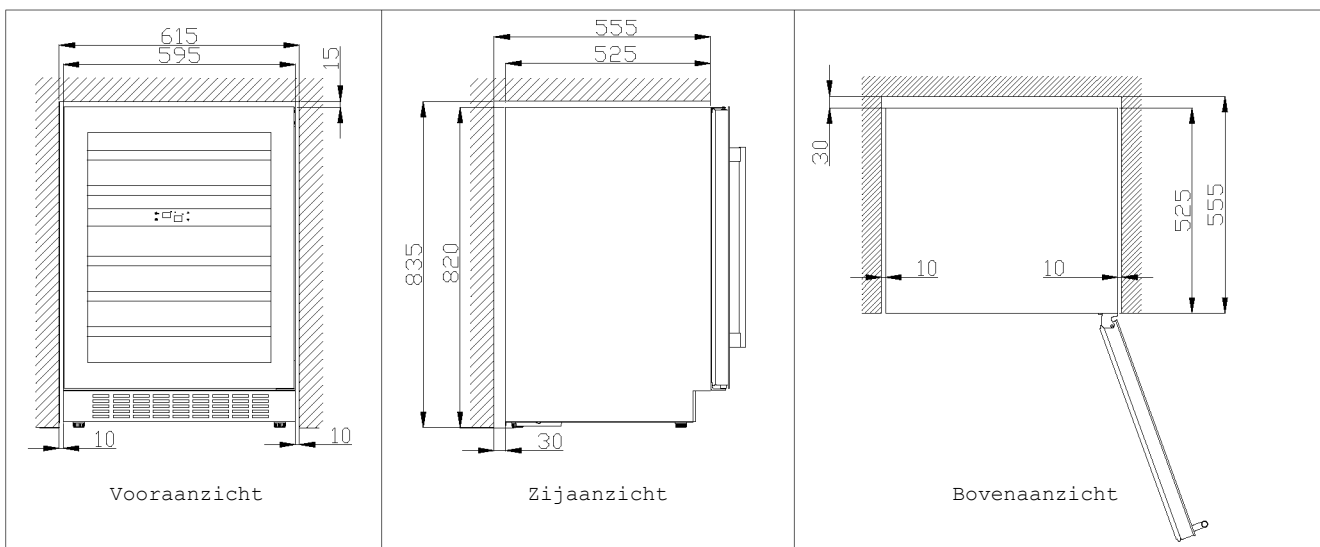
➤ **Opslagschema**

Raadpleeg het van toepassing zijnde opslagschema voor de daadwerkelijke configuratie van uw product.

Totaal: 44 flessen (Max)



➤ **Installatiespecificaties voor inbouwdoeleinden**



## REINIGING EN ONDERHOUD

### ➤ Uw wijnkoeler reinigen

- Schakel de stroom uit, haal de stekker uit het stopcontact en verwijder alle voorwerpen, inclusief de planken en het rek uit het apparaat.
- Was de binnenkant met een oplossing van warm water en zuiveringszout. De oplossing moet ongeveer 2 eetlepels zuiveringszout in een kwart liter water zijn.
- Was de planken met een oplossing met een mild reinigingsmiddel.
- Wring overtollig water uit de spons of doek wanneer u de bedieningsorganen of elektrische onderdelen reinigt.
- Was de buitenkast met warm water en een mild vloeibaar schoonmaakmiddel. Goed afspoelen en droogwrijven met een schone zachte doek.

### ➤ Stroomstoring

- De meeste stroomstoringen worden binnen een paar uur opgelost en hebben geen invloed op de temperatuur van uw apparaat als u de deur zo weinig mogelijk opent. Als de stroom langer wegblijft, moet u de juiste stappen ondernemen om uw wijnen te beschermen.

### ➤ Vakantietijd

- **Korte vakanties:** Laat de wijnkoeler in werking tijdens vakanties die korter duren dan drie weken.
- **Lange vakanties:** Als het apparaat enkele maanden niet wordt gebruikt, verwijdert u alle artikelen eruit en schakelt u het apparaat uit. Reinig de binnenkant grondig en maak goed droog. Laat de deur een beetje openstaan en blokkeer hem als dat nodig is, om het ontstaan van geuren en schimmels te voorkomen.

### ➤ Uw wijnkoeler verplaatsen

- Verwijder alle artikelen uit de koeler.
- Plak alle losse voorwerpen (planken) in uw apparaat stevig vast met tape.
- Draai de verstelbare poot omhoog tot aan de basis om schade te voorkomen.
- Plak de deur dicht met tape.
- Zorg ervoor dat het apparaat tijdens het vervoer goed rechtop blijft staan. Bescherm ook de buitenkant van het apparaat met een deken of iets dergelijks.

### ➤ Tips voor energiebesparing

- Plaats de wijnkoeler in het koelste gedeelte van de ruimte, uit de buurt van warmte producerende apparaten en uit het directe zonlicht.

## PROBLEMEN MET UW WIJNKOELER/DRANKENKOELER?

U kunt veel voorkomende problemen met wijnkoeler/drankenkoeler eenvoudig oplossen, waardoor u de kosten van een eventuele servicebeurt bespaart. Probeer de onderstaande suggesties om te zien of u het probleem kunt oplossen voordat u de klantenservice belt.

### GIDS VOOR PROBLEEMOPLOSSING

PROBLEEM	MOGELIJKE OORZAAK
Wijnkoeler/drankenkoeler werkt niet.	De stekker zit niet in het stopcontact. Het apparaat staat uit. De stroomonderbreker is ingeschakeld of een zekering is doorgebrand.
Wijnkoeler/drankenkoeler is niet koud genoeg.	Controleer de instelling van de temperatuurregeling. De externe omgeving kan een hogere instelling vereisen. De deur wordt te vaak geopend. De deur is niet volledig gesloten. De pakking van de deur sluit niet goed af.
Gaat vaak aan en uit.	De kamertemperatuur is hoger dan normaal. Er zijn veel nieuwe flessen/dranken in de wijnkoeler/drankenkoeler geplaatst. De deur wordt te vaak geopend. De deur is niet volledig gesloten. De temperatuurregeling is niet goed ingesteld. De pakking van de deur sluit niet goed af.
Het licht werkt niet.	De stekker zit niet in het stopcontact. De stroomonderbreker is ingeschakeld of een zekering is doorgebrand. De lamp is doorgebrand. De lichtknop staat op "OFF".
Trillingen.	Controleer of de wijnkoeler/drankenkoeler waterpas staat.
De wijnkoeler/drankenkoeler lijkt te veel lawaai te maken.	Het ratelende geluid kan komen van de stroming van het koelmiddel, wat normaal is. Aan het einde van elke cyclus kunt u gorgelende geluiden horen, die worden veroorzaakt door de stroming van het koelmiddel in uw wijnkoeler/drankenkoeler. Het krimpen en uitzetten van de binnenwanden kan knappende en krakende geluiden veroorzaken. De wijnkoeler/drankenkoeler staat niet waterpas.
De deur sluit niet goed.	De wijnkoeler/drankenkoeler staat niet waterpas. De deuropening is omgekeerd, maar is niet goed geïnstalleerd. De pakking is vuil. De planken zijn uit positie.

#### Voordat u het apparaat verwijdert.

1. Haal de stekker uit het stopcontact.
2. Snijd het netsnoer af en gooi het weg.

Correcte verwijdering van dit product	
	<p>Dit symbool op het product, of in de verpakking, geeft aan dat dit product niet als huishoudelijk afval mag worden behandeld. In plaats daarvan moet het naar een geschikt afvalinzamelpunt voor het recyclen van elektrische en elektronische apparatuur worden gebracht. Door dit product correct te verwijderen, helpt u potentiële negatieve gevolgen voor het milieu en de menselijke gezondheid te voorkomen, die anders door de verkeerde behandeling van dit product als afval zouden kunnen worden veroorzaakt. Voor meer gedetailleerde informatie over de recycling van dit product neemt u contact op met uw gemeente, de dienst voor verwijdering van huishoudelijk afval of de winkel waar u het apparaat hebt gekocht.</p>